



AGArangeusa.com

36" ELISE DUAL FUEL RANGE

MODEL: **AEL361DF**

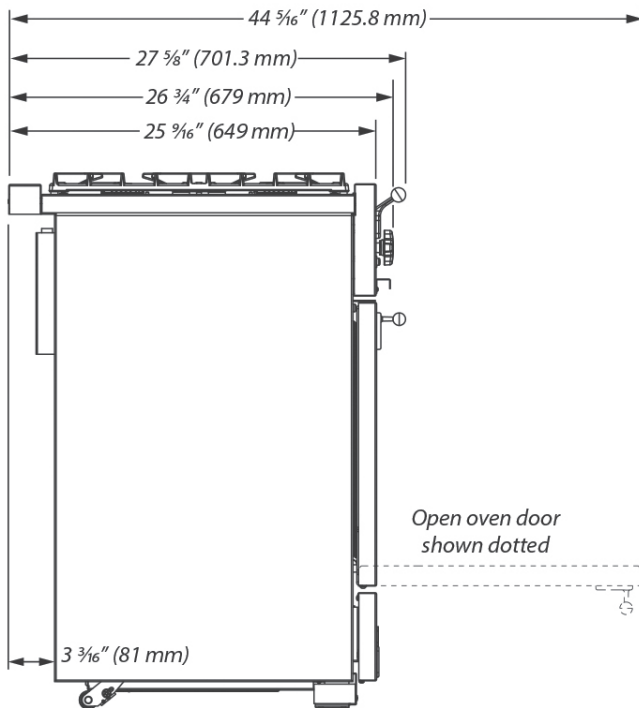


In the re-imagining of the classic Elise design, AGA took its cues from the modern farmhouse movement itself. Rustic yet refined, the Elise blends old and new in masterful ways, both fresh and timeless, with just a hint of the exquisite.

To meet the color demands of the modern homeowner, the Elise will soon offer a newly expanded palette designed to match the natural shades of a British-inspired landscape.

Exciting and fresh new colors will be launching in late 2021.

Complimented by stunning new cruciform knobs with knurling, available in a selection of versatile hardware finishes, the re-imagined Elise confidently steps into the spotlight along side its classic AGA siblings.



SPECIFICATIONS

- Product Dimensions: 35 1/2" W x 27 5/8" D x 36" H
- Shipping weight (lbs): 390lbs *(includes range, crate & pallet)*

WARRANTY

- 2 Year Warranty on parts and labor with exception of cosmetic damage

FINISHES

NOTE: Colors not in stock could have a 4-12 week lead time (check for availability)



MIDNIGHT SKY



GLOSS BLACK



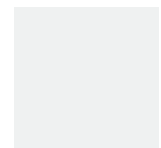
MATTE BLACK



STAINLESS STEEL



IVORY



WHITE



36" ELISE DUAL FUEL RANGE

General Properties	
Total Oven Capacity	4.5 cu. ft.
Usable Oven Space	28" W x 14" D x 14 1/2" H
Cooking Mode	Multi-function Oven with 7 Cooking Modes
Cleaning Type	EasyClean™ Enamel
Controls	Knobs on fascia
Sealed Burners	Yes
Cooktop Performance	
Cooktop Dimensions	35 1/2" W x 21 3/5" D
Number of Brass Burners	5
Power of Left Front Burner	12,000 BTU High; 2,400 BTU Low
Power of Back Left Burner BTU	12,000 BTU High; 2,400 BTU Low
Power of Center Burner BTU	17,000 BTU High; 3,400 BTU Low
Power of Front Right Burner BTU	6,000 BTU High; 1,200 BTU Low
Power of Back Right Burner BTU	12,000 BTU High; 2,400 BTU Low
Electrical Details	
Circuit Breaker (A)	40A
Volts (V)	240V
Frequency (Hz)	60Hz
Plug Type	4-prong NEMA 14-50P
Power Cord Length	50"
Energy Source	Electric Oven and Gas Cooktop
Gas Type	Natural Gas with LP Conversion Kit included
Alternative Gas Type	Liquid Propane
Dimensions & Weights	
Appliance Dimensions	35 1/2" W x 27 5/8" D x 36" H
Depth with Door Open	44 5/16"
Weight	306 lbs.
Shipping Weight	390 lbs.
Package Dimensions	49 1/4" W x 31" D x 46 1/2" H
Accessories Included	
2 roasting tins 1 adjustable full-width broiler pan with trivet	1 - LP conversion kit

OVEN FEATURES

- Multifunction oven with 7 settings including true European dual-convection cooking, fan-assisted baking, browning, thaw & serve, convection broiling, warming and conventional cooking
 - Large 4.5 cu. ft. oven
 - Three robust telescopic glide-out racks
 - Dual broiler system
- Includes cookware accessories
 - Two roasting tins nest into the shelf and slide out with ease
 - A full-width broiler pan and trivet easily adjusts on oven runners and is great for broiling and grilling large batches

COOKTOP FEATURES

- 5 sealed brass burners provide for easy clean-up and prevent messy spills from reaching the oven or internal components
 - Powerful 17,000 BTU center burner is ideal for rapid boiling, wok cooking and large pots
 - Three 12,000 BTU burners
 - One 6,000 BTU burner can be turned down to a low 1,200 BTU simmer
 - Each burner is equipped with thermocouple safety mechanism
- Continuous cast iron cooktop to smoothly slide cookware across burners without spillage
 - Locking mechanism secures grates in place during cooking
 - Grates are easy to remove for cleaning
 - Matte finish cast iron grates are easy to clean and won't discolor
- Stunning new cruciform knobs with knurling, available in a selection of versatile hardware finishes
- Convenient storage drawer stores cookware and even oven racks



AGArangeusa.com

36" ELISE DUAL FUEL RANGE

Installation Clearance Dimensions

A - Gap between side of appliance and adjacent vertical surface ABOVE cooktop level	4 1/2"
B - Gap between side of appliance and adjacent vertical surface BELOW cooktop level	3/16" (U.S.) 1/2" (Canada)
C - Gap between cooktop level and any horizontal combustible surface	31 1/2"
D - Maximum depth of cabinets installed above the top surface cooking sections	13"
E - Minimum distance between horizontal surfaces less than dimension C	35 1/2" (U.S.) 36 3/8" (Canada)
F - Minimum distance between horizontal cabinets and worktop surfaces adjacent to range	18"

