

PUSH TYPE POP-UP DRAIN FOR LAVATORY FAUCET  
ITEM NO.: AB9056



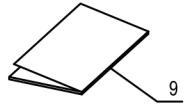
※COMPONENTS CHECKING

LIST OF THE STANDARD COMPONENTS:

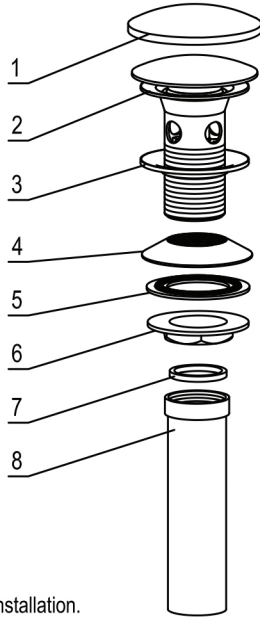
Please double-check the component list hereinafter and contact our company or our distributor for any unconformity.

Remarks:

1. Without affecting their performing, components may be changed without further notice.
2. Drawings for reference only. Product size & shape refer to actual faucet.



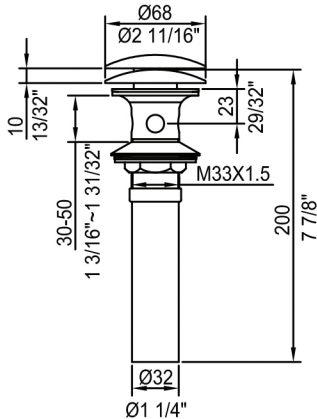
Component list	Qty
1. Plastic guard	1
2. Drain body	1
3. Silicon pad	1
4. Glue cushion	1
5. Plastic piece	1
6. Nut	1
7. Gasket	1
8. Tail piece	1
9. Manual	1



※Installation Instructions

- ☆ This product is chrome plated, pls be careful to avoid scratching when installation.
- ☆ To be installed with moderate force, it would cause damage with over force.

※ Dimension Drawing



※ Installation Procedures

**1.**

1. Remove the tail piece(8), gasket(7), nut(6), plastic piece (5) and glue cushion(4) the from drain body(2). Keep the silicone pad (3) and plastic guard(1) on the drain body.

**2.**

2. Insert the drain body(2) to the installation hole, and install the glue cushion(4), plastic piece(5) and nut(6) from underneath the countertop.

**3.**

3. After adjusting the position properly, tighten the nut with a wrench. Make sure the fasteness and check for leaks. Attach the gasket(7) and tail piece(8) to the drain body, Hand-tighten the tube piece.

**4.**

4. Remove the plastic guard(1) and connect to drainage line. Fill the water in the wash basin and check for leaks.

※ Cleaning & Maintenance

- ☆ To keep the product clean & shining, follow the steps as below:
  1. Flush with clean water & dry with soft cloth only.
  2. If any dirt, clean with soft liquid or transparent glass detergent.
  3. Do not use any scrubbing detergent, polisher, sand-cloth, paper tissue or scraper.
  4. Do not use acid detergent, indissolvable grain-like detergent or soap.
  5. Circumrotate the aerator off and clean it when necessary.



※This installation instruction is only for your reference, the final right to explain & to revise it belongs to us.