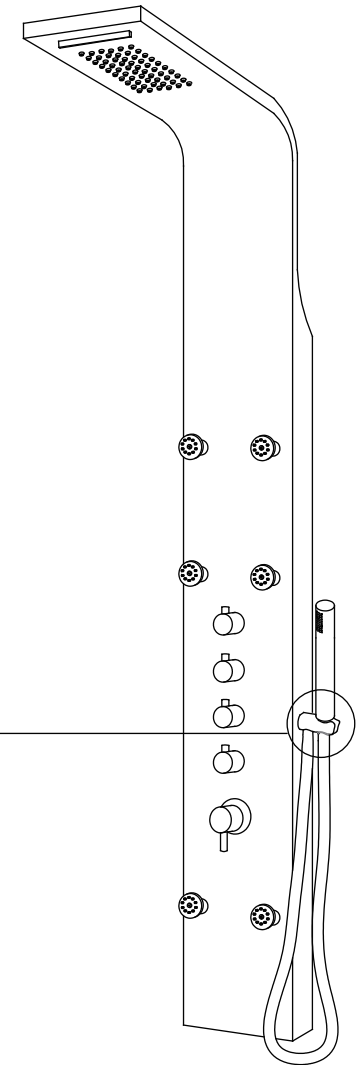
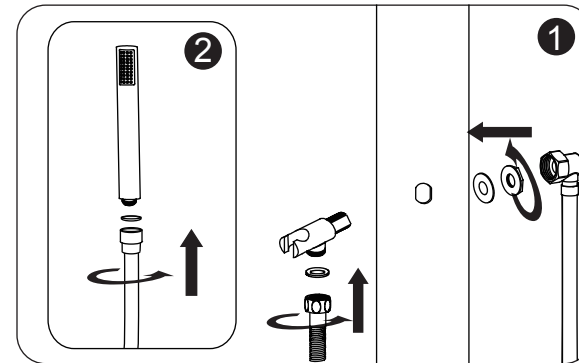
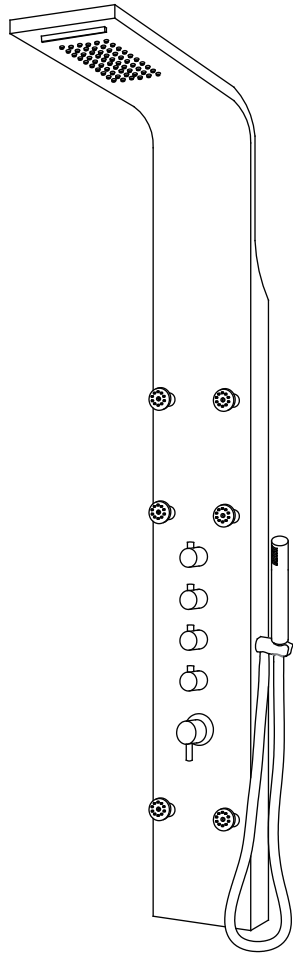




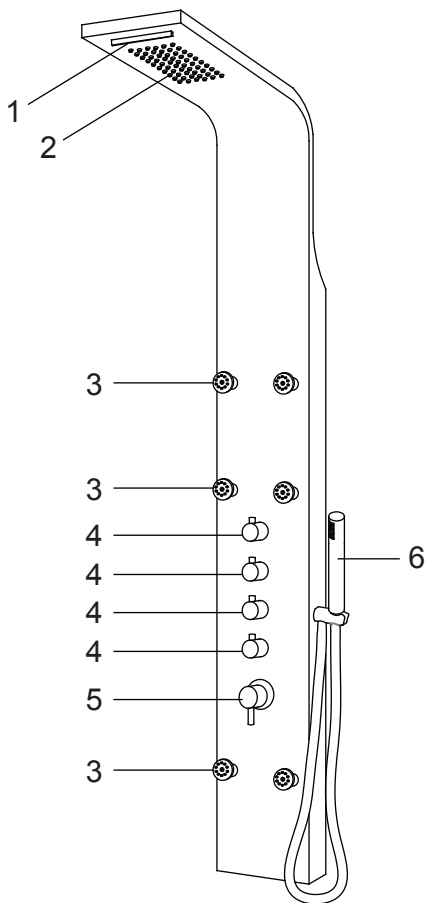
Installation Instructions ABSP40 shower panel

III. HAND SHOWER INSTALLATION



I. Function

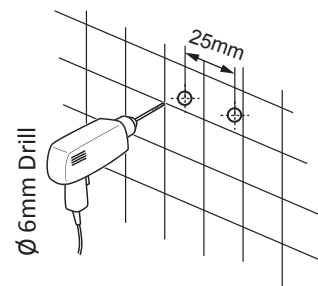
1. Waterfall
2. Shower Head
3. Body jets
4. Diverter
5. Mixer
6. Hand shower



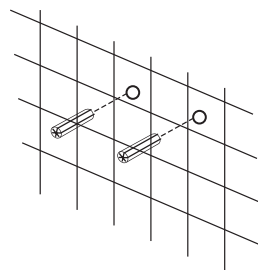
II. Installation

Note! Before drilling any holes for fixing your shower panel ensure that there are no hidden cables or pipework within the wall

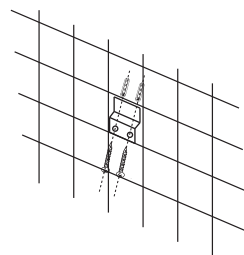
A . Drill the holes on the wall



B . insert the wall plugs inside the holes



C . Tighten the screws to the wall with wall mounting brackets



Wall-mounting

