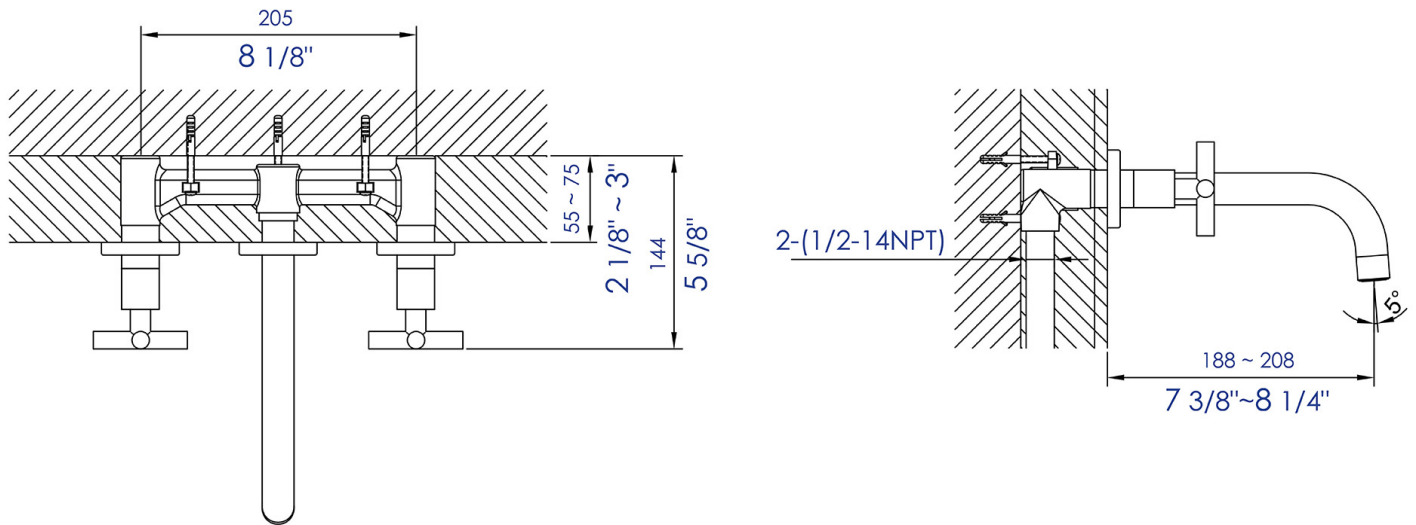


AB1035

8" Widespread Wall-Mounted Cross Handle Faucet



Note: All product dimensions are approximate and should be verified on site prior to installation.
Visit www.ALFIbrand.com for more information.