

Frameless Panel

QCI5246

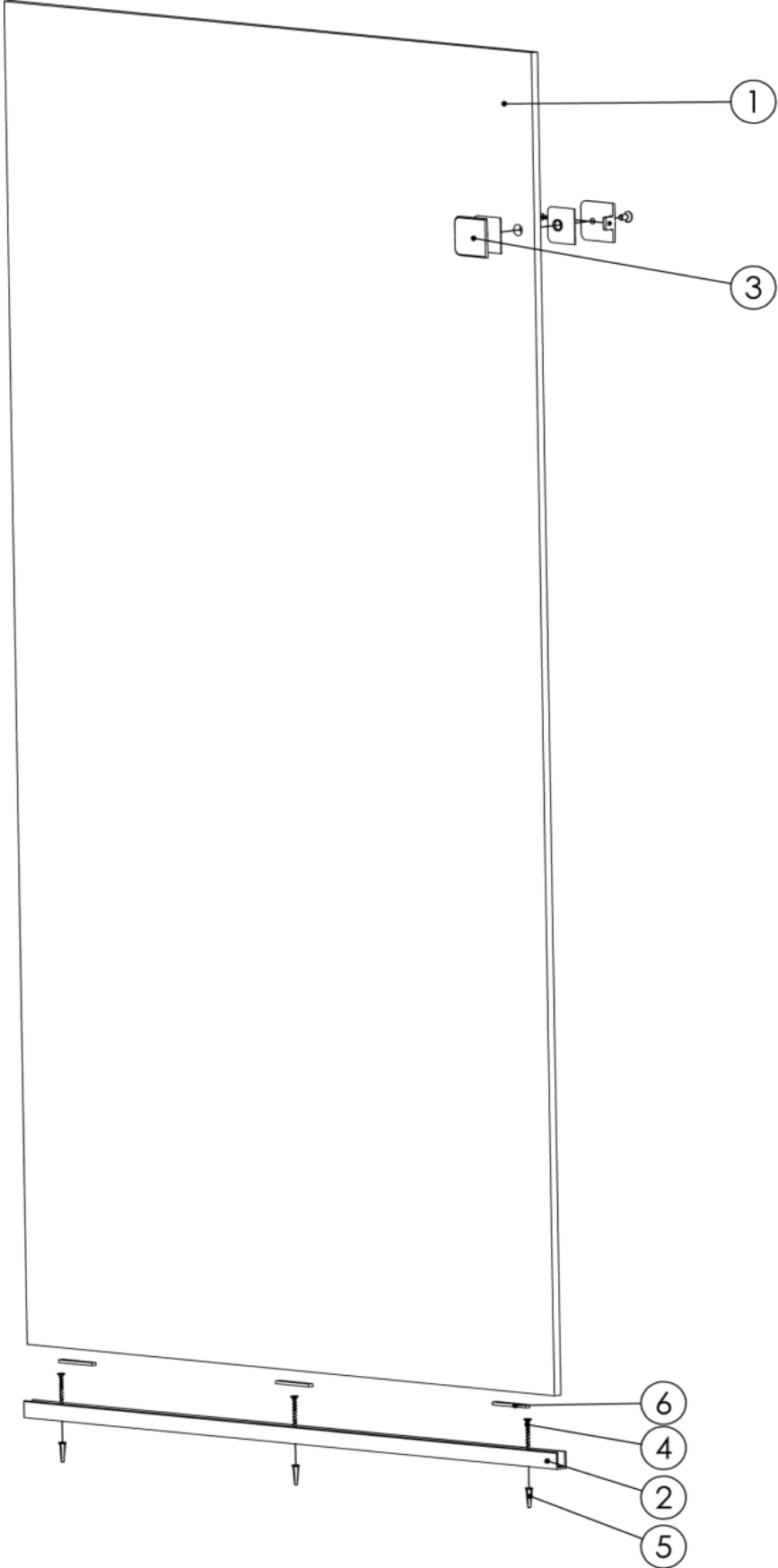


Parts List

ITEM NO.	DESCRIPTION	QTY.
1	FIXED GLASS PANEL	1
2	U-CHANNEL	1
3	WALL MOUNT CLAMP	1
4	#8 x 1 1/2 TRUSS HEAD SCREW	4
5	PLASTIC WALL ANCHOR	4
6	1/8 SETTING BLOCK	3

*Quantities may vary

Exploded View



Tools:

To install your New Shower Enclosure, you may need the following:

- Pencil
- Low Tack Tape
- Tape Measure
- 4' & 6' Levels
- #2 Phillips Screwdriver
- Drill
- 1/8" & 3/16" Drill Bit
- Center Punch
- Files
- Hack Saw
- Caulk Gun
- Clear Silicone Caulk
- Suction Cups

Safety Notes:

- This unit is best installed by two people.
- Handle the glass panels carefully and protect the edges. Safety tempered glass is very resistant to breakage, but the sharp corners of the panels can damage tile and flooring surfaces.
- The glass can break if unequal pressure is applied during installation.
- Please wear safety glasses whenever drilling or cutting. When drilling holes in ceramic tile or marble, use a center punch and hammer to carefully break the glazed surface to prevent skidding when drilling.

NOTE: Tempered glass cannot be

Installation Notes:

- Proper blocking is required for every Heavy Glass unit prior to installation. At minimum 2x4 blocking is required at the location of any structural member of the unit including, but not limited to: hinges, clamps, and header brackets. All fasteners at these locations are required to be installed into the blocking.
- A minimum of 1 1/4" thread engagement is required of all fasteners into the blocking at these locations. Depending on the application the customer maybe required to supply the proper fasteners to ensure adequate engagement.
- U-Channel maybe installed using wall plugs where no backing is found.
- Use caution to not pierce plumbing or electric lines while installing door hardware.
- Cover the drain with tape prior to installation to prevent loss of small parts.
- Unpack your unit carefully and inspect for freight damage. Lay out and identify all parts using the instruction sheet as a reference. Before discarding the carton, check to see that no small hardware parts have fallen to the bottom of the box. If any parts are damaged or missing, refer to the description noted in the instructions when contacting your dealer for replacements.

Maintenance:

Two primary materials are used to manufacture your new shower enclosure: tempered glass and anodized aluminum. To assure a long lasting finish on the enclosure, wipe it down with a towel after each use.

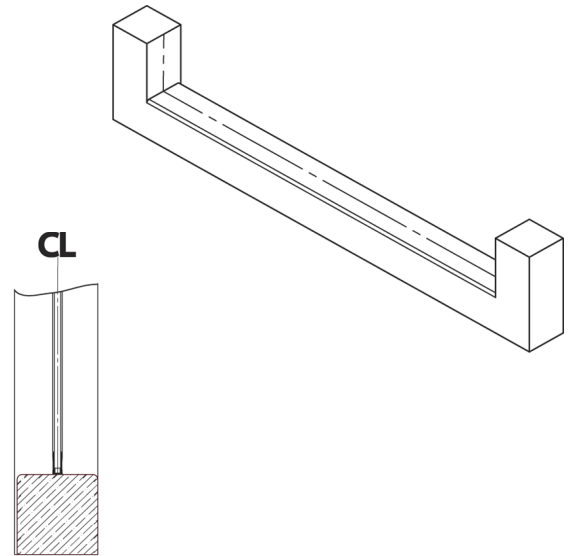
For occasional, more concentrated cleaning efforts, we find that **Lysol® Non-Abrasive Bathroom Cleaner** works extremely well. Be sure that any over spray falling on the aluminum frame is rinsed thoroughly and dried. Many over-the-counter cleaners, if applied to the aluminum and left on, will harm the metal finish and cause permanent damage even though their directions indicate safe use on shower doors. Never use a scouring agent to clean the aluminum.

For units with **AquaglideXP** please use Maintain spray from the maintenance on the glass. Please contact customer service for details and to purchase the maintenance kit.

If a continuous unit centerline does not exist from the original measuring process, it will be necessary to create one. Referencing the Measuring Guide included with this unit, lightly mark a continuous unit centerline on the threshold.

Next, mark a continuous unit centerline up each wall, starting where the threshold centerline meets the wall. Use a level to ensure the wall centerline is plumb and straight. The wall centerlines should be a minimum of the unit height from the threshold.

Note: Centerline (CL) is a term used to describe the center or mid-point of the unit. The position of the unit centerline can be located anywhere in the width of the threshold, as long as adequate structure exists beneath the centerline for fastening and the outer edges of the unit will not overhang the threshold. The most common unit centerline position is the middle of the threshold.



Unit Cross Section

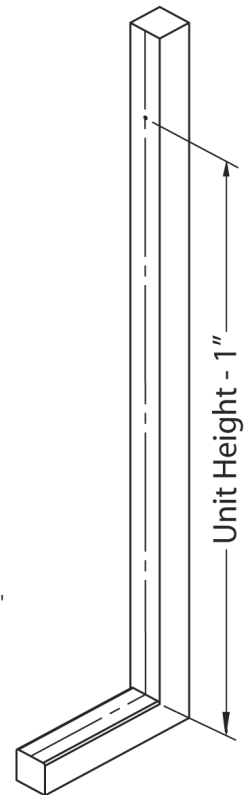
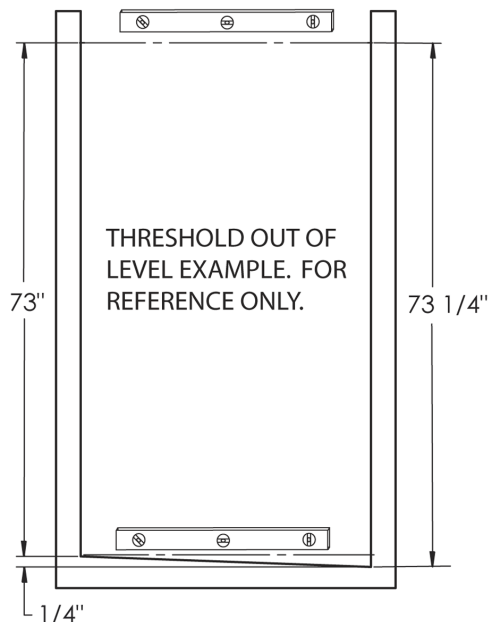
Note: It is extremely important the unit centerline be continuous and straight to ensure proper installation.

Use a level to check the threshold for out of level conditions if the original measured conditions are not available. If no conditions exist, measure up each wall centerline a distance of Unit Height from the threshold, and clearly mark each location.

If out of level conditions exist; measure up the “high” side wall centerline a distance of Unit Height from the threshold and clearly mark this location. For the wall centerline distance on the “low” side of the threshold, use a level to determine the threshold out of level distance and add this value to Unit Height. Measure this summed distance up the “low” side wall centerline from the threshold and clearly mark this location.

(See illustration for example.)

****IMPORTANT****
Keep both marks in-line to ensure the header mounts level.



Remove u-channels from the hardware box and countersink holes in the u-channels. Each piece of u-channel requires a minimum of two (2) screws, 3" from each end for lengths less than 18". Lengths 18" or greater also require screws approximately every 18"-24".

Each piece of u-channel is cut to length and mitered as necessary. Position each piece of u-channel along the threshold centerline and use low-tack tape to hold in place. Check that each piece of u-channel fits in location along the marked centerlines and mitered joints fit tightly.

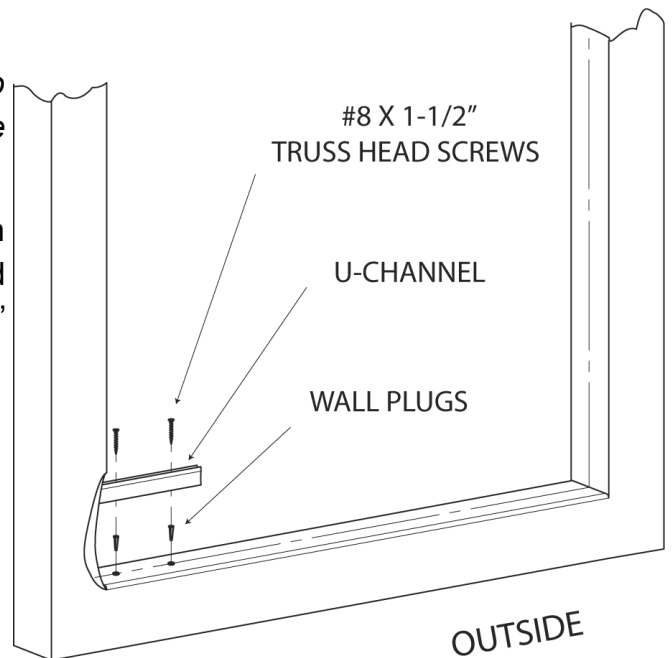
In the even the u-channel doesn't fit properly, contact Technical Support.

If your unit was ordered with a notch panel, please see appendix "A" for supplemental installation instructions.

Reference the unit drawing shipped with the unit to determine where each stationary glass panel is to be located.

With a pencil, carefully mark each hole position on the threshold centerline. Remove the U-Channel and drill a 3/16" diameter hole, approximately 1-1/2" deep, at the marked locations.

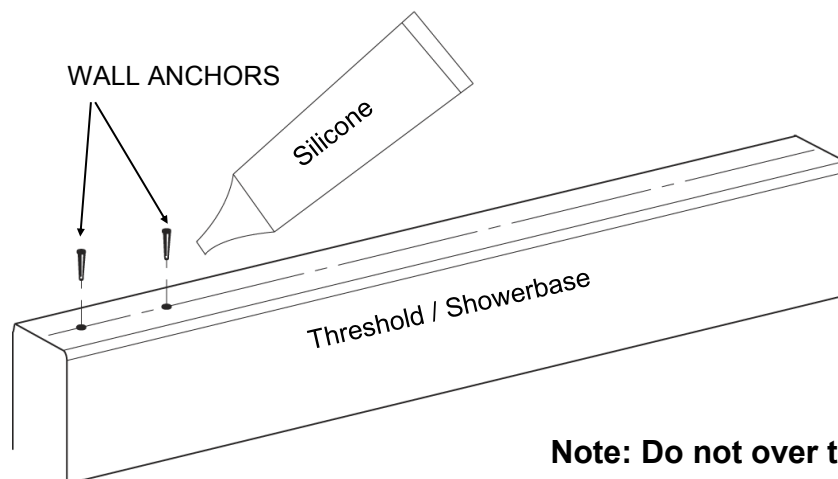
Note: It is critical that the threshold U-Channel is centered on the centerline.



Insert a small amount of silicon into each drilled hole, followed by a wall anchor.

(Note: This must be done just before u-channel installation).

Carefully cut the heads off the wall anchors with a razor blade. Place the u-channel in correct position and secure it with #8 x 1-1/2" truss head screws.

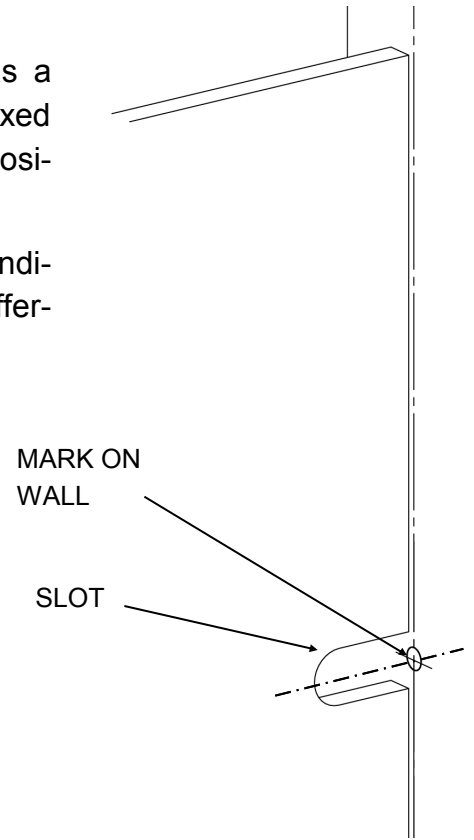
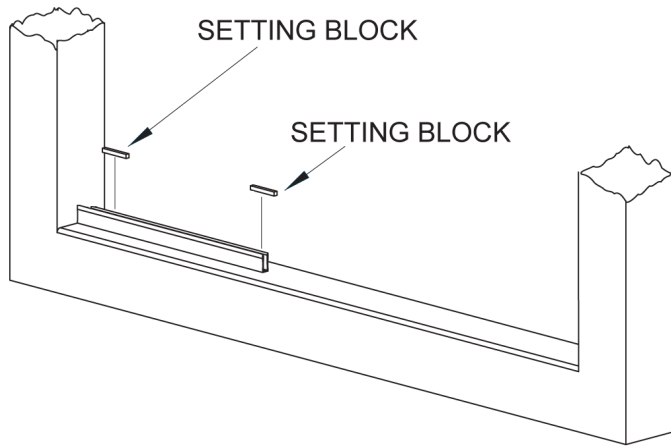


Note: Do not over tighten screws.

Place 1/8" setting blocks as shown or approximately every 18". **DO NOT** place setting blocks over screw heads. Using suction cups slide the Fixed Panel Glass into the appropriate side. Use setting blocks to make exposed edges of the glass level and plumb. Exposed edges **MUST** be level and plumb before moving to next step.

Using the glass clamp mounting slot on the Fixed Panel Glass as a guide, make a mark on the wall on center w/ the slot. Remove the Fixed Panel Glass and carefully set aside, leaving the setting blocks in position.

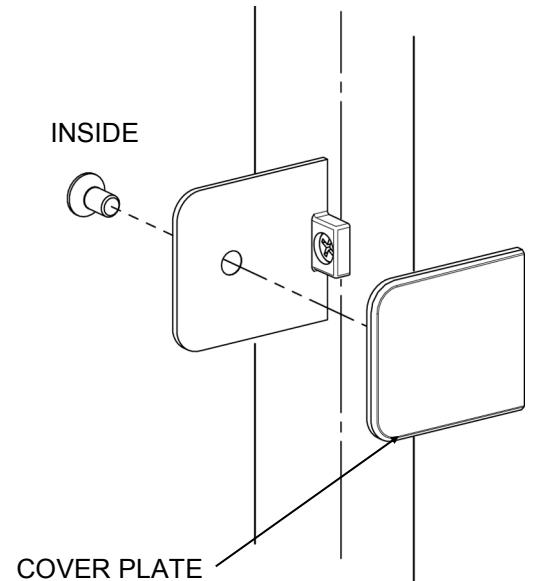
**Different size setting blocks may be required depending on level conditions. Various size setting blocks are provided and can be used in different combinations (stacked) to obtain the desired results.



Drill one 3/16" diameter hole approximately 1-1/2" deep at the mark just made. Drill through tile and backer board. Do not drill through blocking.

Note: This must be done just before Wall Mount Clamp installation.

Disassemble the Wall Mount Clamp, and place the cover plate and screw aside. Place the Wall Mount on the wall, with the finished side of the clamp plate toward the inside of the shower, and secure it to the wall with a #8 x 1-1/2" truss head screw.

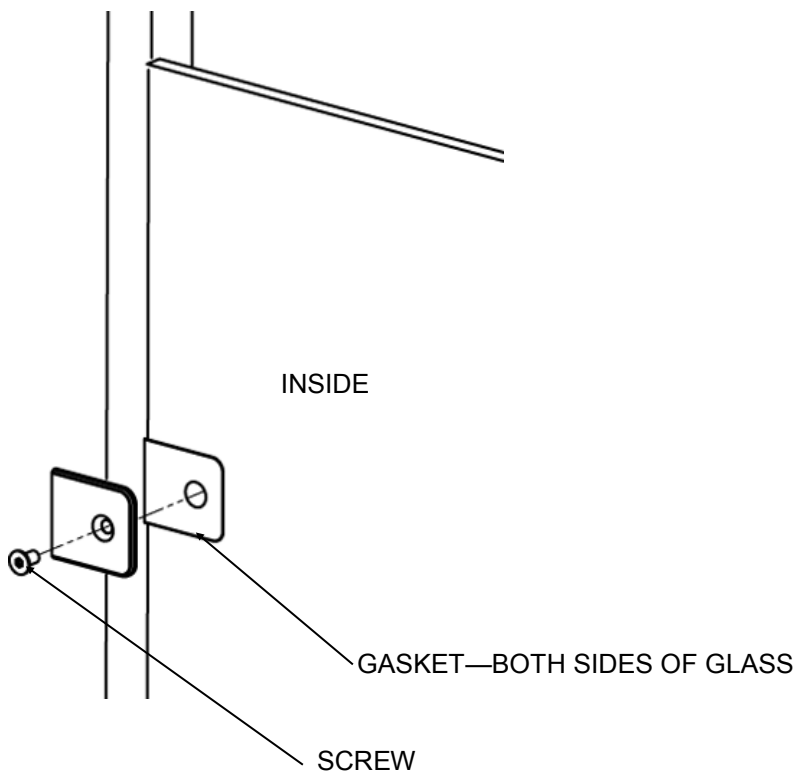


Note: Do not over tighten screw.

Using suction cups, set the Fixed Panel Glass back into position. Double check exposed edges of the glass are level and plumb.

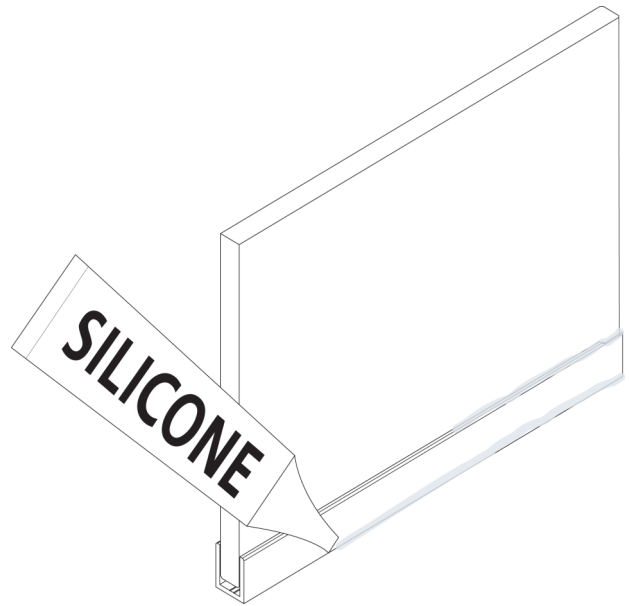
Exposed edges **MUST** be level and plumb before moving to next step.

Place the clamp cover plate on the outside of the glass and secure from the inside w/ the screw provided.



On the interior face of the glass, place a strip of low tack tape on the glass about 1/8" to 3/16" away from edge of the u-channel both vertically and horizontally. Run a small bead of silicone along this edge. Next, on the interior, run a bead of silicone between the u-channel and the threshold and also between the u-channel and the wall. After completing, remove the tape before silicone sets.

NOTE: DO NOT USE the shower until the silicone is completely cured. Check the tube of silicone for the manufacturer recommended cure time (typically 24 - 48 hours).



Appendix — A Notch Panel

If your unit has been purchased with a notch panel option, two additional pre-cut pieces of u-channel will be provided. These two pieces of u-channel will be mitered and cut to size based on the opening dimensions provided with your order. Please follow the same instructions provided for mounting threshold and wall u-channels, to mount the notch panel u-channels. Below are illustrations to clarify the mounting orientations.

