

INSTALLATION INSTRUCTIONS CARE AND MAINTENANCE

*American
Standard*

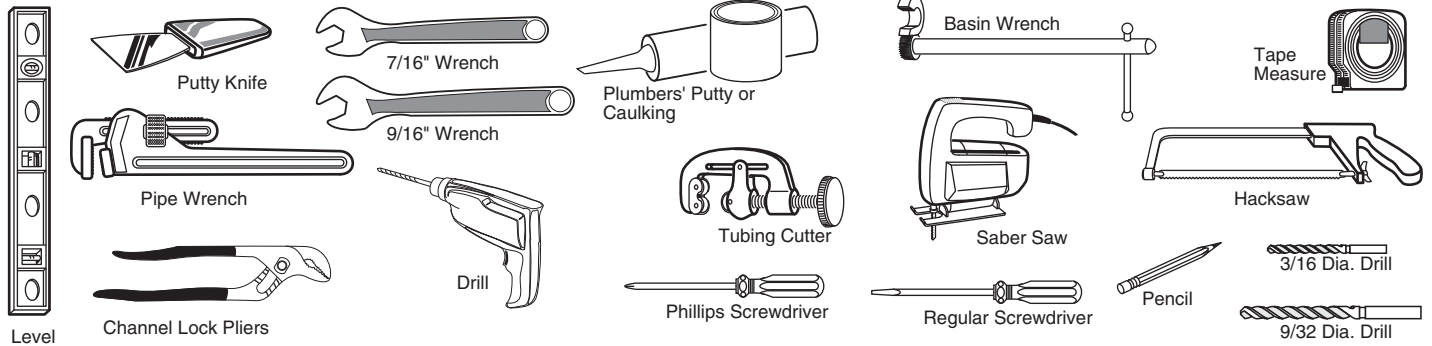
Ravenna Wall-Hung Semi-Pedestal Sink

Thank you for selecting American Standard - the benchmark of fine quality for over 100 years. To ensure this product is installed properly, please read these instructions carefully before you begin. (Certain installations may require professional help.) Also be sure your installation conforms to local codes.

⚠ CAUTION: PRODUCT IS FRAGILE. TO AVOID BREAKAGE AND POSSIBLE INJURY HANDLE WITH CARE!
NOTE: Pictures may not exactly define contour of china and components.

OBSERVE LOCAL PLUMBING AND BUILDING CODES

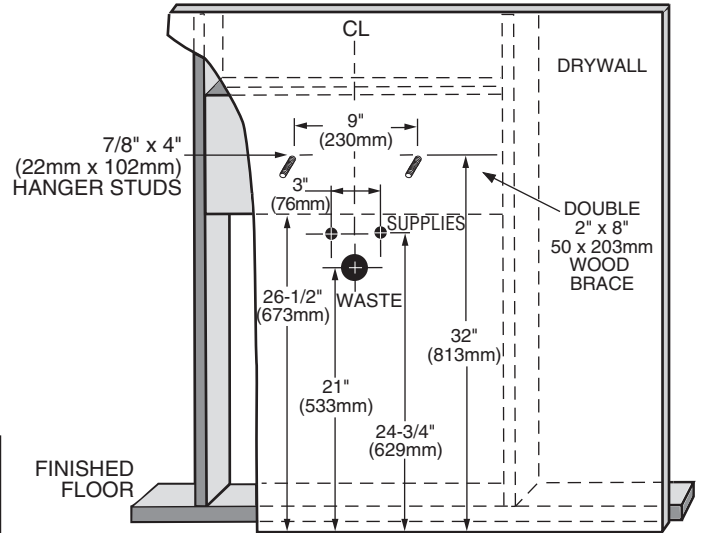
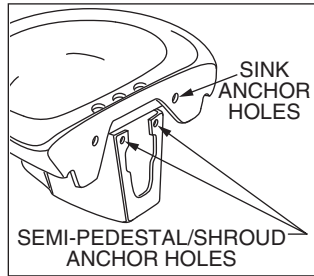
Recommended Tools & Materials



***NOTE:** For ease of installation and accessibility, it is recommended that straight stops with flex supply tubes be used. As an alternative, if rigid supply risers are used, it is suggested to use angle stops in place of the straight stops.

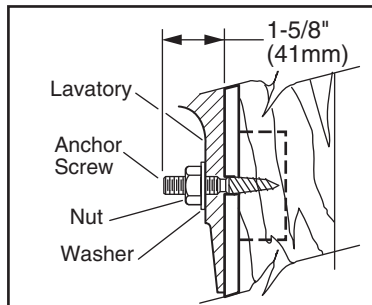
1

Provide Rough-in: Install waste pipe 21" (533mm) up from the floor. Install the supplies at 24-3/4" (629mm) up from finished floor, spaced 1-1/2" (38mm) to either side of centerline. Firmly attach two 2" x 8" (50 x 203mm) wood braces to wall studs. Bottom of brace should be 26-1/2" (673mm) up from floor and extend a minimum of 6" (153mm) to either side of waste. Complete drywall installation (see figure 1).



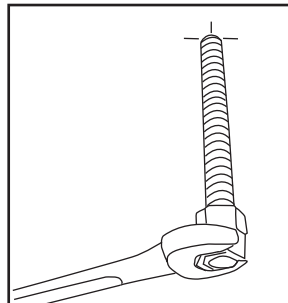
2a

Drill (2) 9/32" dia. (7mm) holes 32" (813mm) up from finished floor, spaced at 4-3/4" (120.6mm) either side of centerline. Install (2) 3/8" x 4" (10mm x 102mm) lg studs using the double nut method, leaving 1-5/8" (41mm) of threaded end exposed. Mount the sink to studs temporarily, making sure the sink is level side to side.



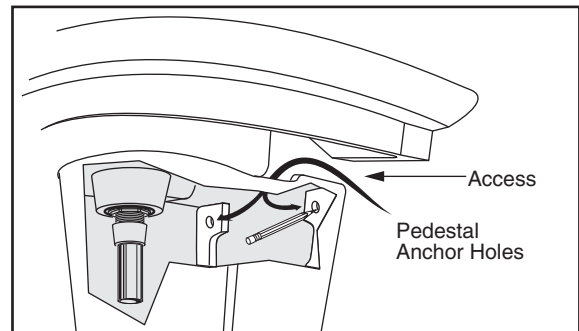
ANCHOR SCREW INSTALLATION

Install lavatory anchor screws leaving 1-5/8" (41mm) threaded end exposed as illustrated.



2b

Position semi-pedestal under bottom lip of sink. While holding semi-pedestal in position reach through the access area between the lavatory and semi-pedestal and mark the location of anchor holes. Remove semi-pedestal and predrill 3/16" (4-5mm) dia. holes at locations marked. Install 1/4" x 3" lg studs leaving 1-1/4" exposed. Use same anchor screw installation as in 2a.



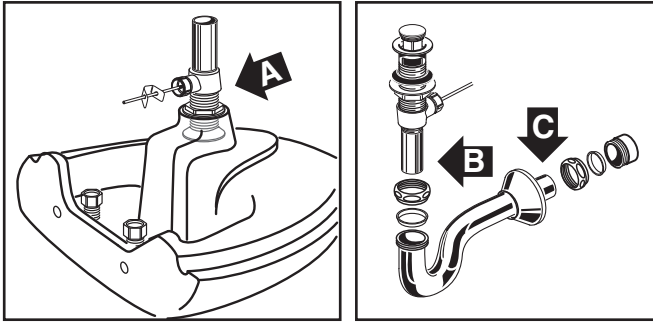
Product names listed herein are trademarks of AS America, Inc.
© AS America, Inc. 2015

730515-100B

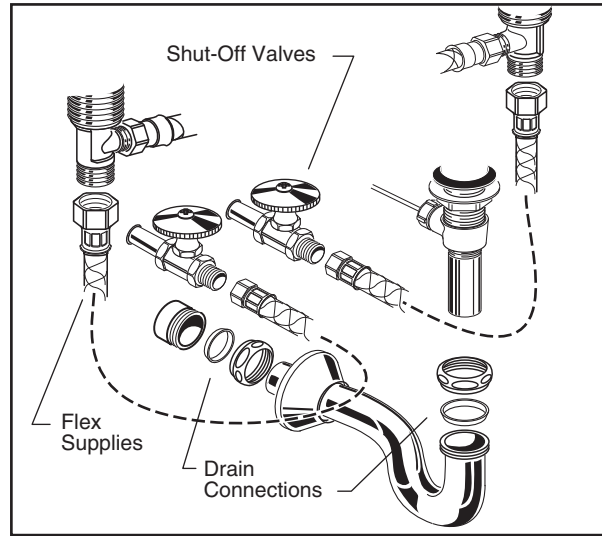
730515-100 Rev. B

USE
FOR
FUTURE
SAVE

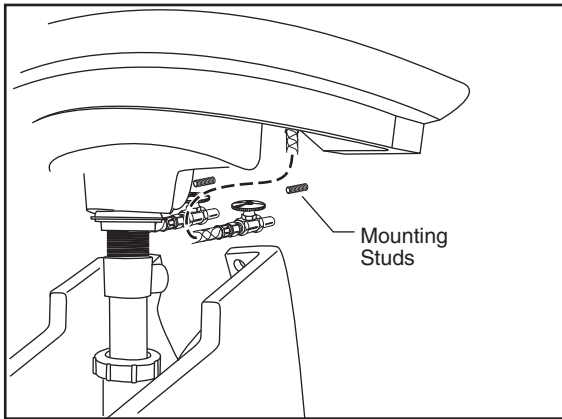
3 Remove lavatory top. Install faucet and pop-up assembly ("A") according to manufacturer's instructions before installing sink. Remount sink on the threaded end of wall studs. Firm up with washers and nuts, but do not over-tighten. It may be necessary to cut off part of the tailpiece (area "B") or part of the horizontal leg of the trap (area "C").



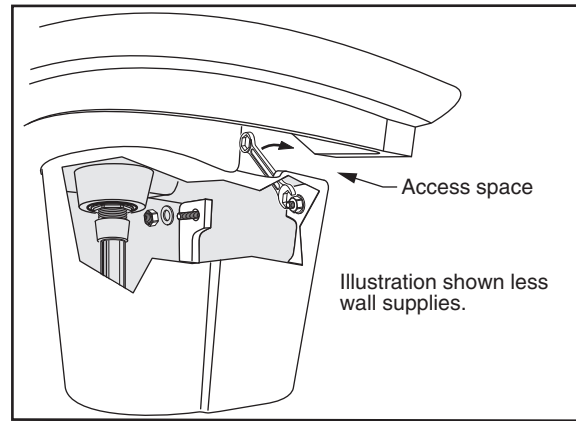
4 Connect water supplies lines and drain pipe connections. Turn water on and check for leaks.



5 Mount Semi-Pedestal in position on threaded end of 1/4" (6mm) studs using washers and nuts supplied.



6 Through the access space between pedestal and lavatory use a 7/16" wrench to tighten the pedestal to wall.



7 If installing optional towel bar (model 3520) it is recommended to install the towel bar after the sink and semi-pedestal are installed. (See instructions for towel bar.)

AS AMERICA, INC. ONE YEAR LIMITED WARRANTY

If inspection of this AS America, Inc. ("American Standard") plumbing product, within one year after its initial purchase, confirms that it is defective in materials or workmanship, American Standard will repair or, at its option, exchange the product for a same or similar model.

This limited warranty applies only to the original purchaser and installation of these products. In the event of a limited warranty claim, proof of purchase will be required—save sales receipts.

This limited warranty does not apply to local building code compliance. Since local building codes vary considerably, the purchaser of this product should check with a local building or plumbing contractor to insure local code compliance before installation.

This limited warranty will be void if the product has been moved from its initial place of installation; if it has been subjected to faulty maintenance, abuse, misuse, accident or other damage; if it was not installed in accordance with American Standard's instructions; or if it has been modified in a manner inconsistent with the product as shipped by American Standard.

American Standard's option to repair or exchange the product under this limited warranty does not cover any labor or other costs of removal or installation including any costs of any surrounding material such as tile or marble. American Standard is not responsible for any other incidental or consequential damages attributed to a product defect or to the repair or exchange of a defective product, all of which are expressly excluded from the warranty. This limited warranty does not cover the extension beyond the duration of this limited warranty of any implied limited warranties, including those of merchantability or fitness for an intended purpose. (Some states or provinces do not allow the exclusion or limitation of implied warranties, so this exclusion may not apply to you.)

This limited warranty gives you specific legal rights. You may have other statutory rights that vary from state to state or from province to province, in which case this limited warranty does not affect such statutory rights.

For service under this warranty, it is suggested that a claim be made through the contractor or dealer from or through whom the product was purchased, or that a service request (including a description of the product model and of the defect) be sent to the following address:

In the United States:
American Standard Brands,
P.O. Box 6820
Piscataway, New Jersey 08855
Attention: Director of Consumer Affairs

For residents of the United States, warranty information may also be obtained by calling the following toll free number: (800) 442-1902
www.americanstandard.com

In Canada:
AS Canada ULC
5900 Avebury Road
Mississauga, Ontario
Canada L5R 3M3
Toll Free: (800) 387-0369
www.americanstandard.ca

In Mexico:
Customer Service Manager
AS Maquila, S.A. de C.V.
Via Morelos #330
Col. Santa Clara
Ecatepec 55540 Edo. Mexico
www.americanstandard.com.mx

THIS WARRANTY IS NOT TRANSFERABLE FROM ORIGINAL CONSUMER PURCHASER.