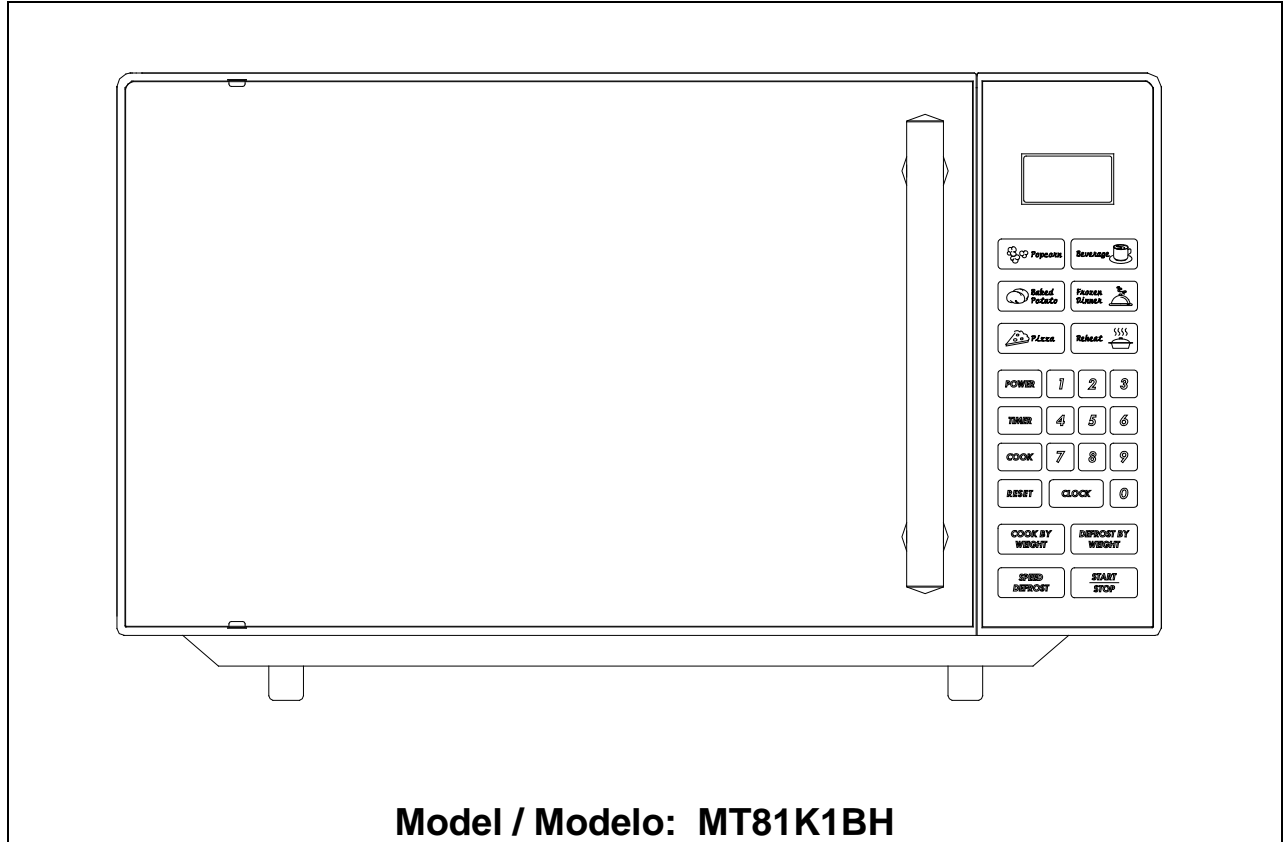




**MICROWAVE OVEN
INSTRUCTION MANUAL
MANUAL DE INSTRUCCIONES
MANUEL D'INSTRUCTIONS**



BEFORE USE, PLEASE READ AND FOLLOW ALL SAFETY RULES AND OPERATING INSTRUCTIONS.

Avanti has a policy of continuous improvement on its products and reserves the right to change materials and specifications without notice.

Avanti Products LLC
P.O. Box 520604 - Miami, Florida 33152
www.avantiproducts.com

TABLE OF CONTENTS

Help Us Help You	3
Parts and Features	4
Important Safety Instructions	5
Installation Instructions	6
Before Using Your Microwave Oven	6
Installation of Your Microwave Oven	6
Safety Precautions	6 – 7
Electrical Connection	8
Operating Your Microwave Oven	8
Control Panel	9
Operation Procedure	10 – 14
Cooking Techniques	14
Auxiliary Power Outlet	15
Care and Maintenance	15
Cleaning Your Microwave Oven	15
Problems with Your Microwave Oven?	16
Troubleshooting Guide	16
Service for Your Microwave Oven	16
Avanti Microwave Oven Warranty	17
Instrucciones en Español	18 – 30
Instruction en Français	31 – 46
Registration Information and Registration Card	Last Page

HELP US HELP YOU...

Read this guide carefully.

It is intended to help you operate and maintain your new microwave oven properly.

Keep it handy to answer your questions. If you don't understand something or you need more assistance, please call:

Avanti Customer Service
800-220-5570

Keep proof of original purchase date (such as your sales slip) with this guide to establish the warranty period.

Write down the model and serial numbers.

You'll find them on a label located on the rear wall of the microwave oven.

Please write these numbers here:

Date of Purchase

Model Number

Serial Number

Use these numbers in any correspondence or service calls concerning your microwave oven.

If you received a damaged microwave oven, immediately contact the dealer (or builder) that sold you the microwave oven.

Save time and money. Before you call for service, check the Troubleshooting Guide. It lists causes of minor operating problems that you can correct yourself.

IF YOU NEED SERVICE

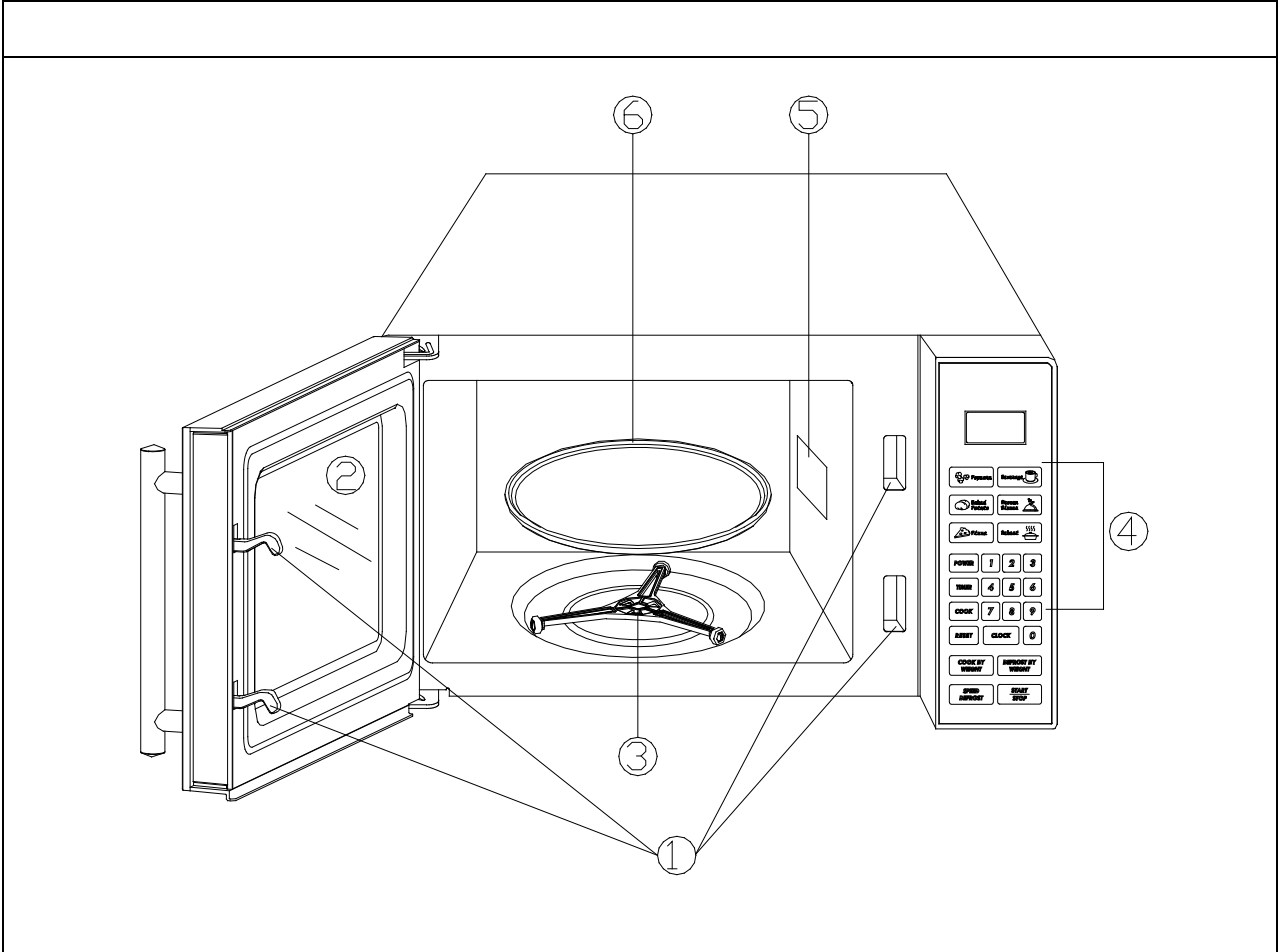
We're proud of our service and want you to be pleased. If for some reason you are not happy with the service you receive, here are some steps to follow for further assistance.

FIRST, contact the people who serviced your microwave oven. Explain why you are not pleased. In most cases, this will solve the problem.

NEXT, if you are still not pleased, write all the details, including your telephone number, and send it to:

Customer Service
Avanti Products
10880 NW 30 Street
Miami, FL 33172 USA

Parts and Features



1	Door Safety Lock System
2	Oven Window
3	Turntable Roller Ring
4	Control Panel
5	Oven Air Vent
6	Glass Tray
7	Auxiliary Power Outlet

IMPORTANT SAFETY INSTRUCTIONS

When using electrical appliances basic safety precautions should be followed, including the following:

~ WARNING ~

To reduce the risk of fire, electrical shock, or injury when using your appliance, follow these basic precautions:

- Read all instructions before using the appliance.
- Read and follow the specific "PRECAUTIONS TO AVOID POSSIBLE EXPOSURE TO EXCESSIVE MICROWAVE ENERGY" found on page 6.
- This appliance must be grounded. Connect only to properly grounded outlet. SEE GROUNDING INSTRUCTIONS found on page 8.
- Install or locate the appliance only in accordance with the provided installation instructions.
- When cleaning surfaces of door and oven that comes together on the closing door, use only mild, nonabrasive soaps, or detergents applied with a sponge or soft cloth.
- Liquids, such as water, coffee, or tea are able to be overheated beyond the boiling point without appearing to be boiling. Visible bubbling or boiling when the container is removed from the microwave oven is not always present. THIS COULD RESULT IN VERY HOT LIQUIDS SUDDENLY BOILING OVER WHEN THE CONTAINER IS DISTURBED OR A UTENSIL IS INSERTED INTO THE LIQUID.
- Some products such as whole eggs and sealed containers-(for example, closed glass jars) may explode and should not be heated in microwave oven.
- Use this microwave oven only for its intended use as described in this manual.
- Do not use corrosive chemicals or vapors in this appliance. This type of oven is specifically designed to heat, cook, or dry food. It is not designed for industrial or laboratory use.
- As with any appliance, close supervision is necessary when used by children.
- Do not operate this microwave oven if it has a damaged cord or plug, if it is not working properly, or if it has been damaged or dropped.
- To reduce the risk of fire in the oven cavity:
 - Do not overcook food. Carefully attend microwave oven if paper, plastic, or combustible materials are placed inside the oven to facilitate cooking.
 - Remove wire twist-ties from bags before placing bag in oven.
 - If materials inside the oven should ignite, keep oven door closed, turn oven off at the wall switch, or shut off power at the fuse or circuit breaker panel.
 - Do not use the cavity for storage purposes. Do not leave paper products, cooking utensils, or food in the cavity when not in use.
- Only qualified service personnel should service this appliance. Contact the nearest authorized service facility for examination, repair or adjustment.
- Do not cover or block any openings on this appliance.
- Do not use this microwave oven to heat corrosive chemicals (for example, sulfides and chlorides). Vapors from such corrosive chemicals may interact with the contact and springs of the safety interlock switches thereby rendering them inoperable.
- Do not immerse cord or plug in water.
- Keep cord away from heated surfaces.
- Do not let cord hang over edge of table or counter.
- Never clean appliance parts with flammable fluids. The fumes can create a fire hazard or explosion.
- Do not store or use gasoline or any other flammable vapors and liquids in the vicinity of this or any other appliance. The fumes can create a fire hazard or explosion.
- Do not store this appliance outdoors. Do not use this product near water – for example near a kitchen sink, in a wet basement, near a swimming pool, or similar locations

-SAVE THESE INSTRUCTIONS-

INSTALLATION INSTRUCTIONS

Ø BEFORE USING YOUR MICROWAVE OVEN

- Remove the exterior and interior packing.
- Check to be sure you have all of the following parts:
 - Glass Tray
 - Turntable Roller Assembly (Roller or Roller Ring)
 - Instruction Manual
- Inspect the oven after unpacking for any visual damage such as:
 - Misaligned Door
 - Damaged Door
 - Dents or Holes in Door Window and Screen
 - Dents in Cavity

If any of the above is visible, DO NOT use the oven.

Ø INSTALLATION OF YOUR MICROWAVE OVEN

- When positioning the microwave oven, it should be set on a flat, steady surface.
- Do not block air vents. If they are blocked during operation, the oven may overheat and eventually cause oven failure.
- Poor television reception and radio interference may result if the oven is located close to a TV, radio, antenna, or antenna wire. Position the oven as far from them as possible.
- Clean the interior surface with lukewarm water using a soft cloth.
- Keep the oven away from hot air, steam or splashing liquids when choosing a place to locate it, otherwise, the unit's operation may be adversely affected, causing it to break down.
- Direct sunlight may affect the acrylic coating and heat sources may increase electrical consumption.
- Plug the appliance into an exclusive properly installed-grounded wall outlet. Do not under any circumstances cut or remove the third (ground) prong from the power cord. Any questions concerning power and or grounding should be directed toward a certified electrician or an authorized Avanti Products service center.
- DO NOT place anything on the top of the oven.
- Keep the oven at least 5 inches away from both sidewalls and away from rear wall to ensure the proper ventilation.
- DO NOT remove the turn-table drive shaft.

Ø SAFETY PRECAUTIONS

PRECAUTIONS TO AVOID POSSIBLE EXPOSURE TO EXCESSIVE MICROWAVE ENERGY

- A. Do not attempt to operate this oven with the door-open since open-door operation can result in harmful exposure to microwave energy. It is important not to defeat or tamper with the safety interlocks.
- B. Do not place any object between the oven front face and the door or allow soil or cleaner residue to accumulate on sealing surfaces.
- C. Do not operate the oven if it is damaged. It is particularly important that the oven door close properly and that there is no damage to the : (1) Door (bent), (2) Hinges and latches (broken or loosened), (3) Door seals and sealing surfaces.
- D. The oven should not be adjusted or repaired by anyone except properly qualified service personnel.

General Use

- DO NOT attempt to tamper with or make any adjustments or repairs to door, control panel or any other part of the oven. Do NOT remove outer panel from oven. Repairs should only be done by qualified service personnel.
- DO NOT operate the oven empty. The microwave energy will reflect continuously throughout the oven if no food or water is present to absorb energy.
- If a fire occurs in the oven, touch the START/STOP pad and LEAVE THE DOOR CLOSED. Disconnect the power cord, or shut off power at the fuse or circuit breaker panel.
- DO NOT attempt to dry clothes, newspapers or other materials in oven. They may catch on fire.
- DO NOT use recycled paper products, as they may contain impurities, which may cause sparks and/or fires when used.
- DO NOT hit or strike control panel. Damage to controls may occur.

Utensils

- METAL CONTAINERS or dishes with metallic rims should not be used. Arcing may occur.
 - METAL TWIST-TIES may not be used in the microwave oven.
 - DO NOT use SEALED JARS or NARROW NECK bottles for cooking or reheating. They may shatter.
 - DO NOT use CONVENTIONAL THERMOMETERS in the microwave oven. They may cause arcing. Use only those labeled "Microwave Safe" and follow all directions. Check the food in several places.
 - Remove PLASTIC STORE WRAPS before cooking or defrosting in the oven.
- RECOMMENDED
- Microwave browning dish – Use to brown exterior of small items such as steaks, chops, or pancakes. Follow the directions provided with your browning dish.
 - Microwaveable plastic wrap – Use to retain steam. Leave a small opening for some steam to escape and avoid placing it directly on the food.
 - Paper towels and napkins – Use for short-term heating and covering; these absorb excess moisture and prevent splattering. Do not use recycled paper towels, which may contain metal and could ignite.

Food

- Never use your microwave oven for HOME CANNING. The oven is not designed to permit proper canning. Improperly canned food may spoil and be dangerous to consume.
- COOKING TIMES are approximate. Factors that may affect cooking are starting temperature, altitude, volume, size and shape of food and utensils used. As you become familiar with the oven, you will be able to adjust for these factors.
- It is better to UNDERCOOK RATHER THAN OVERCOOK foods. If food is undercooked, it can always be returned to the oven for further cooking. If food is overcooked, nothing can be done. Always start with minimum cooking times.
- SMALL QUANTITIES of food or foods with LOW MOISTURE content can burn, dry out or catch on fire if cooked too long.
- DO NOT boil eggs in their shell. Pressure may build up and the eggs will explode.
- Potatoes, apples, egg yolks, whole acorn squash and sausage are examples of food with NONPOROUS SKINS. These must be pierced before cooking to prevent bursting.
- POPCORN must be popped in a microwave corn popper. Microwave popped corn produces a lower yield than conventional popping. DO NOT use oven for popcorn unless popped in a microwave approved popcorn utensil or unless it's commercially packaged and recommended especially for microwave ovens. DO NOT use oil unless specified by the manufacturer.
- DO NOT attempt to deep fat fry in your oven.
- HEATED LIQUIDS can ERUPT if not mixed with air. DO NOT heat liquids in your microwave oven without first stirring.

Ø ELECTRICAL CONNECTION

GROUNDING INSTRUCTIONS

This appliance must be grounded. In the event of an electrical short circuit, grounding reduces the risk of electrical shock by providing an escape wire for the electric current. This appliance is equipped with a cord having a grounding wire with a grounding plug. The plug must be inserted into an outlet that is properly installed and grounded.

~ Warning ~

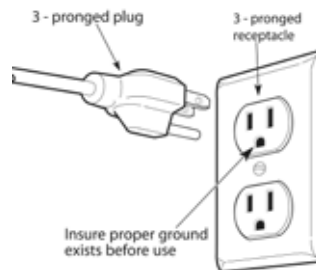
Improper use of the grounded plug can result in the risk of electrical shock. Consult a qualified electrician or service person if the grounding instructions are not completely understood, or if doubt exists as to whether the appliance is properly grounded.

The power cord of this appliance is equipped with a three-prong plug which mates with standard three prong wall outlets to minimize the possibility of electrical shock.

Do not under any circumstances cut or remove the third ground prong from the power cord supplied.

Do not use the extension cord. If the power supply cord is too short, have a qualified electrician or serviceman to install an outlet near the appliance.

This appliance requires a standard 115/120 Volts A.C. ~/60Hz electrical outlet with three-prong ground.



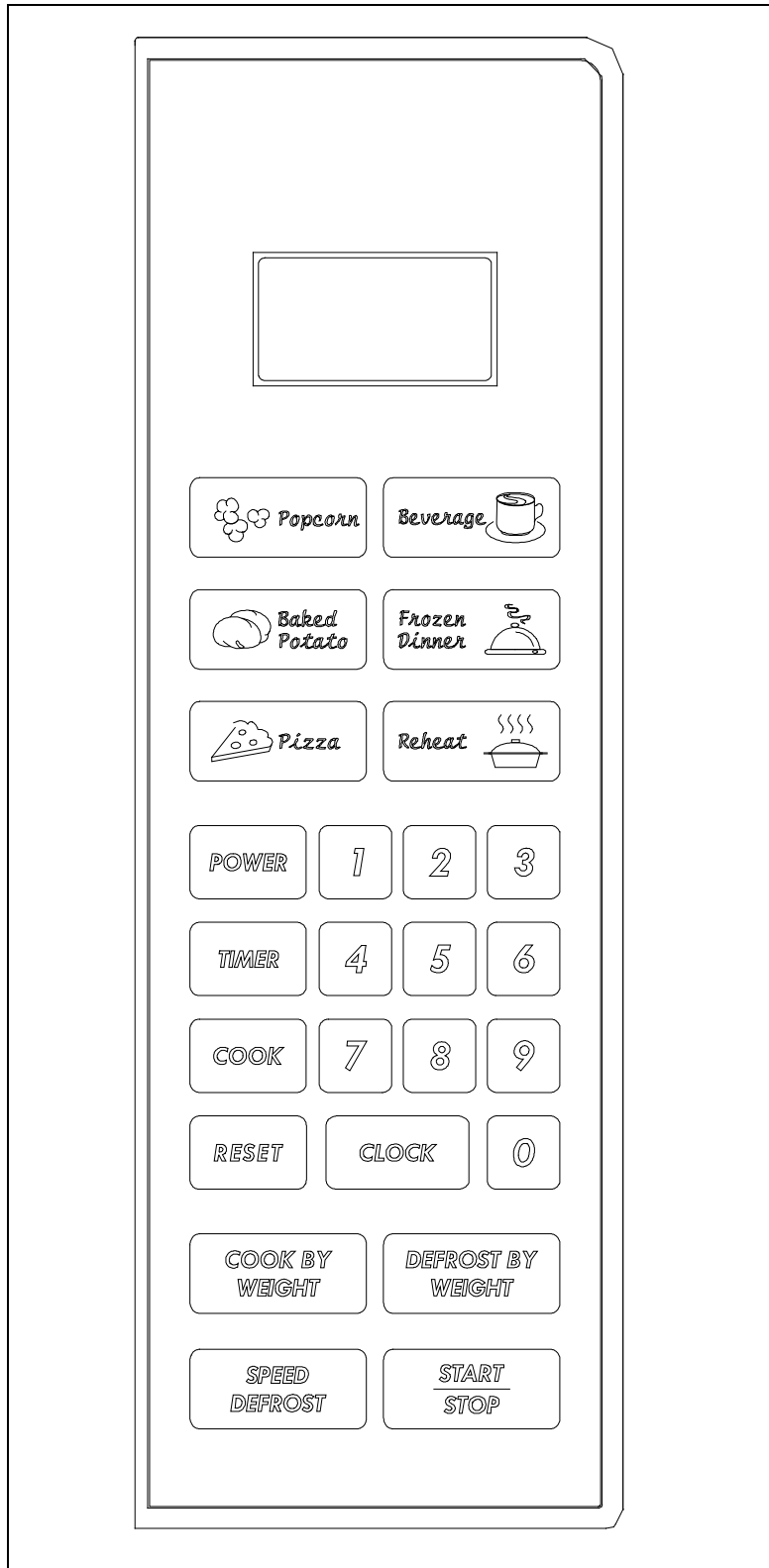
The cord should be secured behind the appliance and not left exposed or dangling to prevent accidental injury.

OPERATING YOUR MICROWAVE OVEN

Although your oven is provided with safety features, it is important to observe the following:

- It is important not to defeat or tamper with safety interlocks.
- Do not place any object between the oven front face and the door or allow residue to accumulate on sealing surfaces. Wipe the sealing area frequently with a mild detergent, rinse and wipe dry. Never use abrasive powders or pads.
- When opened, the door must not be subjected to strain, for example, a child hanging on an opened door or any load which could cause the oven to fall forward and cause injury and damage the door. Do not operate the oven if it is damaged, until it has been repaired by a qualified service person. It is particularly important that the oven closes properly and that there is no damage to the:
 - Door (bent)
 - Hinges and latches (broken or loosened)
 - Door seals and sealing surfaces
- The oven should not be adjusted or repaired by anyone except properly qualified service personnel.

CONTROL PANEL



UNIT FEATURES

Pre-Programmed Cooking Modes
Baked Potato
Popcorn
Pizza
Beverage
Frozen Dinner
Reheat
Cook By Weight
Defrost By Weight
Speed Defrost
Clock: 12 Hour
Kitchen Timer

UNIT SPECIFICATIONS

Power Consumption:	120V ~ 60Hz, 1050W
Output (Watts):	700W
Operation Frequency:	2450MHz
Unit Dimensions (HxWxD):	10 ⁵ / ₁₆ x 17 ¹³ / ₁₆ x 14 ³ / ₁₆
Oven Cavity Dimensions (HxWxD):	8 ¹¹ / ₁₆ x 12 ³ / ₈ x 11 ⁹ / ₁₆
Oven Capacity:	0.8 cu. Ft.
Cooking Uniformity:	Turntable
Net Weight:	Approx. 23 Lbs

CONTROL PANEL FEATURE DISPLAY	DESCRIPTION
PRE-PROGRAMMED COOKING MODES	BAKED POTATO BEVERAGE POPCORN FROZEN DINNER REHEAT PIZZA Allow you to reheat or cook food automatically without entering power level or time.
POWER	Use to set power level
DEFROST BY WEIGHT	Touch to set the weight of the food to be defrosted. The oven automatically sets the defrosting time and power level.
SPEED DEFROST	Touch to set defrosting time. The oven automatically divides the defrosting time into periods of alternating defrost and stand times by cycling on and off.
TIMER	You can use the TIMER function independently, even while a cooking program is going on in the oven.
NUMBER PADS (0-9)	Touch to set times or amounts.
CLOCK	Touch to set the clock.
RESET	Clears all previous settings if touched before cooking starts.
START/STOP	Touch to start or stop cooking.

Ø **OPERATION PROCEDURE:**

- **Plug the power supply cord into a standard 3-pronged 15 Amps, 120Volts A.C./60Hz.**
- **After placing the food in a suitable container, open the oven door and put it on the glass tray. The glass tray and roller guide must always be in place during cooking.**
- **Shut the door. Make sure that it is firmly closed.**
- The oven door can be opened at any time during operation by pulling on the door handle.
- The oven will automatically shut off. To restart the oven, close the door and then touch START/STOP.
- Each time a pad is touched, a BEEP will sound to acknowledge the touch. One of the function pads must be touched before the number pads. Two BEEPS indicates the oven does not accept the entry, check and try again.
- The oven automatically cooks on high power and defrosts on low power.
- When the oven is first plugged in the display will show a flashing " : ", if you prefer not to have the clock displayed, touch reset or wait 15 seconds.
- When the START/STOP pad is touched during the oven operation, the oven stops cooking. If the oven door is opened during the oven operation, all information is retained.
- If the START/STOP pad is touched and the oven does not operate, check the area between the door and door seal for obstructions and make sure the door is closed securely. The oven will not start cooking until the door is completely closed and the program has been set.

Ø **SPECIAL OVEN FEATURES**

SPEED DEFROST: Used to defrost frozen foods by time.

This cycle starts at medium – high power, then automatically reduces to medium – low and then to low as the food thaws. SPEED DEFROST indicator light and cook indicator light will both come on during the defrost cycle.

TIMER: Use for timing things without oven function. A long beep will sound at the end of the elapsed time.

AUTO TIMER: After a DEFROST or COOK PROGRAM has completed, the oven will automatically continue to sound four beeps every two minutes until the oven door is opened or the RESET pad is touched.

CHILD PROOF LOCK: Use to prevent unsupervised operation of the oven by children. The CHILD PROOF LOCK indicator will be lit on the display and the oven cannot be operated while the CHILD PROOF LOCK is set.

SETTING CHILD LOCK: To set, press and hold RESET for 3 seconds. LOCK is indicated on the display. To cancel, press and hold RESET for 3 seconds. LOCK indication disappears.

TIMER: Use to set cooking time. Allows you to set up to 99 minutes and 99 seconds

RESET: Touch to cancel the selected power level, cook or defrost times previously programmed. The time of day clock is not cancelled.

START/STOP: Touch to start the defrost or cook programs. The cook indicator light and the oven light will come on and the cooling fan will operate.

NOTE: END OF OPERATION- Display will show “END”.

- Four beeps will sound, the cook indicator light will go out and will show “END” on display window until the door is opened and the time of day will return to the display window. The oven light and cooking fan will turn off.
- The oven will automatically continue to sound four beeps every two minutes until the oven door is opened or the RESET pad is touched.

NOTE: TO INTERRUPT OPERATION –Open the oven door.

- The oven immediately stops.
- If no further cooking is required, touch the RESET pad.
- To continue cooking, close the oven door and touch the START/STOP pad. The oven will restart.

HOW TO SET THE OVEN CONTROLS

AUDIBLE SIGNALS DURING OVEN SETTINGS

ONE SIGNAL: Oven accepts the entry.
TWO SIGNALS: Oven does not accept the entry, check and try again.

SETTING THE CLOCK

1. Touch CLOCK pad. This is a 12 hour clock.
2. Use the number pads to enter the correct time. If you selected 12 hour clock system, the digital clock allows you to set from 1:00 to 12:59. You must touch at least three numbers to set the clock (one for hour and two for minutes).
3. Touch CLOCK pad again.

NOTE: When the oven is first plugged in or when power resumes after a power interruption, the display will show a flashing “ : ”. If you prefer to not have the clock displayed, touch RESET.

You can check the clock time while cooking is in progress by touching the CLOCK pad.

SETTING THE OVEN TIMER

1. Touch TIMER.
2. Enter the amount of time by touching the number pads. Digit time is in minutes and seconds and set left to right. Set one digit (a 5 for 5 seconds) or up to four digits (2405 for 24 minutes, 5 seconds).
3. Touch START/STOP.

NOTE: Time countdown can be seen in display for 3 seconds before clock or cooking time is returned to display.

Touch TIMER and then touch RESET to cancel TIMER during timing process.

IMPORTANT INFORMATION ABOUT THE MICROWAVE POPCORN FEATURE

- In order for microwave popcorn to “POP” evenly and to avoid burning, the bag must be able to rotate freely inside the oven while cooking.
- Some brands of microwave popcorn bags are larger than others and these larger bags may get stuck inside the oven in one position even though the platter is turning properly. This will result in uneven cooking or burning of the popcorn.
- To avoid this, please watch the bag until popping is completed. If the bag gets stuck and does not rotate, open the door, reposition the bag and restart the oven.

**** Caution ****

Use an oven mitt or pot holder when moving the bag, as the contents can be very hot.

**** The POPCORN touch button on this microwave is designed for use with three different sizes of popcorn bags. See instructions for proper use.**

For best results, we recommend that you follow all instructions and cooking times as indicated on the packaging supplied with your popcorn.

**** DO NOT pop popcorn in your microwave oven unless in a special microwave popcorn accessory or unless you are using popcorn specifically labeled for use in microwave ovens.**

SETTING A COOKING PROGRAM

A. One-stage Cooking

1. Use the number pads to set a cooking time. You can set a cooking time from one second to 99 minutes and 99 seconds.
2. If you want to set a power level other than 100% power, touch POWER, then use the number pads to enter the power level. You can set the power level from 1 to 9. Use single digits to set a cooking power level:

Number pad	Cooking power
9	90%
8	80%
7	70%
6	60%
5	50%
4	40%
3	30%
2	20%
1	10%

3. Touch START/STOP to start cooking.

B. Multi-stage Cooking

For added convenience your oven offers the ability to operate in a "Multi-Stage" cooking cycle. Each cycle or stage can be set with a separate cooking time and or power level.

- a) To set the oven in Multi-Stage cooking model, simply set the time and power level of the first stage (as described in Section One-Stage Cooking to the left).
- b) To set the second cooking stage, press the COOK key ("MEM" will appear in the display window).
- c) Select the desired cooking time and power level for the second stage.
- d) Press "Start" to begin the cooking process.

NOTE:

After cooking stage 1 has elapsed, you will hear one "beep" sound, signaling the beginning of stage 2. After the total time (selected cooking times for both stages) has elapsed, 4 "beeps" will sound and "END" will appear in the display window. Touch the "RESET" button or open the oven door to clear or end the cooking program before starting another cooking function.

SPEED DEFROST

1. Touch SPEED DEFROST.
2. Enter desired defrosting time by touching correct number pads. Digital timer sets minutes and seconds from left to right so a single digit can be set (5 for 5 seconds) or up to 4 digits (2405 for 24 minutes 5 seconds).
3. Touch START/STOP.

NOTE:

After time has elapsed four signals sound and END appears in display. Touch RESET pad or open door to clear END before starting another cooking function. During defrosting program, the system will pause and sound beeps to remind user to turn food over, and then press START/STOP to resume the defrosting.

DEFROST BY WEIGHT

5. Touch DEFROST BY WEIGHT pad.
6. Enter weight.
7. Touch START/STOP pad.

Note:

Weight must be in pounds and ounces. Ounce weights less than 10 must be preceded by a 0. If label gives weight in pounds only, change the fraction of a pound to ounces using the following chart (See page 14).

COOK BY WEIGHT

1. Touch COOK BY WEIGHT.
2. Enter the one digit code by touching the correct number (1-3) pad.
3. Enter weight.
4. Touch START/STOP pad.

Cook By Weight Code Description

CODE	TYPE	MAX WEIGHT
1	Beef	5 lb. 16 oz.
2	Mutton	5 lb. 16 oz.
3	Pork	5 lb. 4 oz.

Note:

Weight must be in pounds and ounces. For weights less than 10 ounces you must precede the number with a 0. If label gives weight in pounds only, change the fraction of a pound to ounces using the following chart (See page 14).

QUICK COOK (PRE-PROGRAMMED) SETTINGS

The QUICK COOK settings allow you to cook or reheat food automatically without entering power level or time.

For smaller portions, simply touch the applicable pad and start. For larger portions, push the pad twice. FROZEN DINNER, BAKED POTATO and BEVERAGE allow you to cook multiple amounts of the same food. Simply touch pad once, and ENTER AMT

POPCORN

1. Touch POPCORN.
2. Press the appropriate number for bag size as shown below.

	Bag Size	Cooking Time
1	1.2 oz	1 min. 40 sec.
2	3.0 oz	2 min. 35 sec.
3	3.5 oz	3 min. 00 sec.

3. Touch START/STOP.

For best results we recommend that you follow all instructions and cooking times as indicated on the popcorn packaging.

BAKED POTATO

For 4 to 6 oz. potatoes:

1. Touch BAKED POTATO once.
2. Enter number of potatoes by touching number pads from 1 to 4. Cooking times for small-medium potatoes are as follows:

1 potato	4 min. 00 sec.
2 potatoes	6 min. 30 sec.
3 potatoes	9 min. 00 sec.
4 potatoes	13 min. 00 sec.

3. Touch START/STOP.

PIZZA

Reheating a slice (or two thin ones) of pizza:

1. Touch PIZZA once.
2. CODE and 1:40 (1 minute and 40 sec.) appears.
3. Touch START/STOP.

Heating a whole frozen pizza:

1. Touch PIZZA twice.
2. CODE and 5:00 (5 minutes.) appears.
3. Touch START/STOP.

For the large 8 to 10 oz. potatoes:

1. Touch BAKED POTATO twice.
2. Enter number of potatoes by touching number pads from 1 to 4. Cooking times for large potatoes are as follows:

1 potato	6 min. 00 sec.
2 potatoes	9 min. 20 sec.
3 potatoes	13 min. 20 sec.
4 potatoes	16 min. 30 sec.

3. Touch START/STOP.

BEVERAGE

For 5 to 7 oz. coffee cups:

1. Touch BEVERAGE once.
2. Enter number of cups by touching number pads from 1 to 4. Cooking times are as follows:

1 cup.	1 min. 30 sec
2 cups.	2 min. 50 sec
3 cups.	4 min. 10 sec
4 cups.	5 min. 30 sec

3. Touch START/STOP.

For the larger 9 to 11 oz. coffee mugs:

1. Touch BEVERAGE twice.
2. Enter number of mugs by touching number pads from 1 to 4. Cooking times are as follows:

1 mug	2 min. 40 sec.
2 mugs	4 min. 50 sec.
3 mugs	6 min. 20 sec.
4 mugs	7 min. 40 sec.

3. Touch START/STOP.

FROZEN DINNER

For one or two small (7-9 oz.) frozen dinners:

1. Touch FROZEN DINNER once.
2. For 1 entree, just touch START/STOP. For 2 entrees, touch the number pad "2". Cooking times for small-size entrees are as follows:

1 entree	7 min. 00 sec.
2 entrees	11 min. 00 sec.

3. Touch START/STOP pad.

Microwaving one large (10-12 oz.) frozen dinner :

1. Touch FROZEN DINNER twice.
2. For 1 entree, just touch START/STOP. For 2 entrees, touch the number pad "2". Cooking times for larger entrees are as follows:

1 entree	8 min. 30 sec.
2 entrees	13 min. 00 sec.

3. Touch START/STOP.

REHEAT

1. Touch REHEAT and
2. CODE and 4:10 (4 minutes.10 sec) appears.
3. Touch START/STOP.

Note: place in dish or casserole slightly larger than the amount indicated. Continue to heat with variable power and time if at the end of sensor reheat the food is not sufficiently hot.

NOTE:

This setting lets you reheat a dinner plate of chilled leftovers with good results.

Converting Fractions of a Pound to Ounces

Fractions of a pound	Ounces
Less than .03	0
.03 to .09	1
.10 to .15	2
.16 to .21	3
.22 to .27	4
.28 to .34	5
.35 to .40	6
.41 to .46	7
.47 to .53	8
.54 to .59	9
.60 to .65	10
.66 to .71	11
.72 to .78	12
.79 to .84	13
.85 to .90	14
.91 to .97	15
above .97	go to next even

Maximum weight for defrosting is 6 lbs. Turn food over when oven signals twice. Touch START/STOP to resume defrosting. After total defrosting time, 4 signals sound and END appears in display. Touch RESET or open oven door to clear END before starting another cooking function.

Ø **COOKING TECHNIQUES**

Your microwave makes cooking easier than conventional cooking, provided you keep these considerations in mind.

Stirring

Stir foods such as casseroles and vegetables while cooking to distribute heat evenly. Food at the outside of the dish absorbs more energy and heats more quickly, so stir from the outside to the center. The oven will turn off when you open the door to stir your food.

Arrangement

Arrange unevenly shaped foods, such as chicken pieces or chops, with the thicker, meatier parts toward the outside of the turntable where they receive more microwave energy. To prevent overcooking, place delicate areas, such as asparagus tips, toward the center of the turntable.

Turning

Turn foods over midway through cooking to expose all parts to microwave energy. This is especially important with large foods such as roasts.

Standing

Foods cooked in the microwave build up internal heat and continue to cook for a few minutes after heating stops. Let foods stand to complete cooking, especially foods such as cakes and whole vegetables. Roasts need this time to complete cooking in the center without overcooking the outer areas. All liquids, such as soup or hot chocolate, should be shaken or stirred when cooking is complete. Let liquids stand a moment before serving. When heating baby food, stir well at removal and test the temperature before serving.

Adding Moisture

Microwave energy is attracted to water molecules. Food that is uneven in moisture content should be covered or allowed to stand so that the heat disperses evenly. Add a small amount of water to dry food to help them cook.

Ø AUXILLIARY CONVICIENCE POWER OUTLET

Your microwave oven is equipped with an “auxiliary” power outlet located at the rear of the unit.

The outlet has been designed to save space giving you the “extra” outlet to connect small countertop appliances such as coffee pot, toaster, etc all in one place.

- When the microwave is being used, the appliance connected to the “auxiliary” power outlet will be deactivated until the microwave is no longer in use.
- Once the microwave is no longer in use, electrical power will be supplied to the “auxiliary” power outlet and the appliance will resume normal operation.

Use this plug when needed and disconnect any appliances when not in use.

CARE AND MAINTENANCE

Ø CLEANING YOUR APPLIANCE

- Turn the oven off and remove the power plug from the wall socket before cleaning.
- Keep the inside of the oven clean. When food splatters or spilled liquids adhere to oven walls, wipe with a damp cloth. Mild detergent may be used if the oven gets very dirty. The use of harsh detergent or abrasives is not recommended.
- The outside oven surfaces should be cleaned with a damp cloth. To prevent damage to the operating parts inside the oven, water should not be allowed to seep into the ventilation openings.
- Do not allow the control panel to become wet. Clean with a soft, damp cloth. Do not use detergents, abrasives or spray-on cleaners on the control panel. When cleaning the control Panel, leave oven door open to prevent oven from accidentally turning on.
- If steam accumulates inside or around the outside of the oven door, wipe with a soft cloth. This may occur when the microwave oven is operated under high humidity conditions and in no way indicates malfunction of the unit.
- It is occasionally necessary to remove the glass tray for cleaning. Wash the tray in warm sudsy water or in a dishwasher.
- The roller ring and oven cavity floor should be cleaned regularly to avoid excessive noise. Simply wipe the bottom surface of the oven with mild detergent, water or window cleaner and dry. The roller ring may be washed in mild sudsy water or dishwasher. Cooking vapors collect during repeated use but in no way affect the bottom surface or roller ring wheels. When removing the roller ring from cavity floor for cleaning, be sure to replace it in the proper position.
- Remove odors from your oven by combining a cup of water with the juice and skin of one lemon in a deep microwavable bowl. Microwave for 5 minutes. Wipe thoroughly and dry with a soft cloth.
- When it becomes necessary to replace the oven light, please consult a dealer to have it replaced.

PROBLEMS WITH YOUR APPLIANCE?

You can solve many common appliance problems easily, saving you the cost of a possible service call. Try the suggestions below to see if you can solve the problem before calling the servicer.

TROUBLESHOOTING GUIDE

PROBLEM	POSSIBLE CAUSE
Appliance does not operate.	Not plugged in. The circuit breaker tripped or a blown fuse. The door is not closed properly.
The light does not work.	The circuit breaker tripped or a blown fuse. The appliance is unplugged. The bulb has burned out (see the maintenance section for the replacement procedure).
Vibrations.	Check to assure that the appliance is level.

SERVICE FOR YOUR APPLIANCE

We are proud of our customer service organization and the network of professional service technicians that provide service on your Avanti appliances. With the purchase of your Avanti appliance, you can be confident that if you ever need additional information or assistance, the Avanti Products Customer Service team will be here for you. Just call us toll-free.

AVANTI PRODUCTS CUSTOMER SERVICES

Product Information 800-323-5029	Whatever your questions are about our products, help is available.
Part Orders 800-220-5570	You may order parts and accessories that will be delivered directly to your home by personal check, money order, Master Card, or Visa.
In-Home Repair Service 800-220-5570	An Avanti Products authorized service center will provide expert repair service, scheduled at a time that is convenient for you. Our trained servicers know your appliance inside and out.

YOUR AVANTI PRODUCTS WARRANTY	Staple your sales receipt here. Proof of original purchase date is needed to obtain service under warranty.
WHAT IS COVERED – LIMITED ONE-YEAR WARRANTY	
<p>Avanti Products warrants that the product is free from defects in materials and/or workmanship for a period of twelve (12) months from the date of purchase by the original owner. The foregoing timeline begins to run upon the date of purchase, and shall not be stalled, tolled, extended, or suspended for any reason whatsoever unless described in detail in the warranty document. For one year from the date of purchase by the original owner, Avanti products will, at its option, repair or replace any part of the product which proves to be defective in material or workmanship under normal use. Avanti Products will provide you with a reasonably similar product that is either new or factory refurbished. During this period Avanti Products will provide all parts and labor necessary to correct such defects free of charge, so long as the product has been installed and operated in accordance with the written instructions in this manual. In rental or commercial use, the warranty period is 90 days. All Avanti appliances of 3.5 cubic feet capacity or less must be brought/sent to the appliance service center for repair.</p>	
LIMITED TWO YEAR WARRANTY	
<p>During the second year of use, Avanti Products will furnish, as needed a replacement part at no charge in exchange for any original part, which fails due to a defect in material or workmanship. All labor and transportation charges are the responsibility of the consumer.</p>	
LIMITED SEVEN YEAR WARRANTY	
<p>For an additional 6-year period beyond the first year of the general coverage of this warranty, Avanti Products will replace a magnetron tube, which fails due to a defect in material or workmanship. All labor and transportation charges are the responsibility of the consumer.</p>	
WARRANTY EXCLUSIONS / WHAT IS NOT COVERED:	
<p>The warranty coverage described herein excludes all defects or damage that are not the direct fault of Avanti Products, including without limitation, one or more of the following:</p>	
<ul style="list-style-type: none"> · A failure to comply with any applicable state, local, city, or county electrical, plumbing and/or building codes, regulations, or laws, including failure to install the product in strict conformity with local fire and building codes and regulations. · Any external, elemental and/or environmental forces and factors, including without limitation, rain, wind, sand, floods, fires, mud slides, freezing temperatures, excessive moisture or extended exposure to humidity, lightning, power surges, structural failures surrounding the appliance, and acts of God. · Content losses of food or other content due to spoilage. · Incidental or consequential damages · Parts and labor costs for the following will not be considered as warranty: <ul style="list-style-type: none"> · Inner door panels, door shelves, door rails, and/or door supports. · Light bulbs and/or plastic housing. · Plastic cabinet liners. · Shipping and handling costs associated with the replacement of the unit. 	<ul style="list-style-type: none"> · Repairs performed by unauthorized servicers. · Service calls that are related to external problems, such as abuse, misuse, inadequate electrical power, accidents, fire, floods, or any other acts of God. · Failure of the product if it is used for other than it intended purpose. · The warranty does not apply outside the Continental USA. · Surcharges including but not limited to, any after hour, weekend, or holiday service calls, tolls, ferry trip charges, or mileage expense for service calls to remote areas.
<p>In no event shall Avanti Products have any liability or responsibility whatsoever for damage to surrounding property, including cabinetry, floors, ceilings, and other structures and/or objects around the product. Also excluded from this warranty are scratches, nicks, minor dents, and other cosmetic damages on external surfaces and exposed parts; Products on which the serial numbers have been altered, defaced or removed; service visits for customer education, or visits where there is nothing wrong with the product; correction of installation problems (you are solely responsible for any structure and setting for the product, including all electrical, plumbing and/or other connecting facilities, for proper foundation/flooring, and for any alterations including without limitation cabinetry, walls, floors, shelving etc., as well as the resetting of breakers or fuses.</p>	
OUT OF WARRANTY PRODUCT	
<p>Avanti Products is under no obligation, at law or otherwise, to provide you with any concessions, including repairs, pro-rates, or product replacement, once this warranty has expired.</p>	
<i>Warranty – Microwave Ovens</i>	

INSTRUCCIONES EN ESPAÑOL

PRECAUCION

PARA REDUCIR EL RIESGO DE INCENDIO, DESCARGA ELECTRICA, O DAÑO CUANDO ESTE USANDO SU HORNO MICROONDAS, SIGA ESTAS INDICACIONES.

- LEA TODAS LAS INSTRUCCIONES ANTES DE USAR SU HORNO MICROONDAS.
- ALGUNOS PRODUCTOS TALES COMO HUEVOS ENTEROS Y ENVASES SELLADOS (POR EJEMPLO, FRASCOS DE VIDRIO) PUEDEN EXPLOTAR, POR LO QUE NO DEBEN SER CALENTADOS EN SU HORNO MICROONDAS.
- USE SU HORNO MICROONDAS SOLAMENTE PARA LO QUE SE INDICA EN ESTE MANUAL.
- NO USE SUSTANCIAS QUIMICAS CORROSIVAS O GASES EN ESTE HORNO. ESTE TIPO DE HORNO MICROONDAS ESTA DISEÑADO ESPECIFICAMENTE PARA CALENTAR, COCINAR, Y DESHIDRATAR ALIMENTOS, NO ESTA DISEÑADO PARA USO INDUSTRIAL O DE LABORATORIO.
- COMO CON TODO ELECTRODOMESTICO, ES NECESARIA LA SUPERVISION DE UNA PERSONA ADULTA CUANDO SEA OPERADO POR NIÑOS.
- NO USE SU HORNO MICROONDAS SI TIENE EL CORDON O EL ENCHUFE DAÑADOS, SI NO ESTA FUNCIONANDO APROPIADAMENTE, O SI ESTE SUFRIO UN GOLPE O UNA CAIDA.
- PARA REDUCIR EL RIESGO DE CHISPAS O FUEGO EN EL INTERIOR DEL HORNO MICROONDAS:
 - NO RECOCINE ALIMENTOS. ESTE PENDIENTE DE SU HORNO MICROONDAS CUANDO COCINE ALIMENTOS QUE VENGAN CON ALGUN TIPO DE ENVOLTURA COMO: PAPEL, PLASTICO, O MATERIAL QUE PUEDA SERVIR COMO COMBUSTIBLE, PODRIA INICIAR UN INCENDIO.
 - RETIRE EL ALAMBRE METALICO QUE SE UTILIZA PARA CERRAR LAS BOLSAS ANTES DE COLOCAR EL ALIMENTO DENTRO DEL HORNO.
 - SI ALGUNO DE LOS MATERIALES QUE ESTAN DENTRO DEL HORNO SE INCENDIAN, MANTENGA LA PUERTA DEL HORNO MICROONDAS BIEN CERRADA, DESCONECTELO O APAGUE LA LLAVE GENERAL DE ELECTRICIDAD.
 - NO ALMACENE OBJETOS, NI DEJE PAPELES, UTENSILIOS DE COCINA, O ALIMENTOS DENTRO DE SU HORNO MICROONDAS.
- SOLO PERSONAL DE SERVICIO AUTORIZADO PUEDE BRINDAR SERVICIO TECNICO A SU HORNO MICROONDAS. COMUNIQUESE CON EL SERVICIO TECNICO AUTORIZADO MAS CERCANO PARA EXAMINAR, O REPARAR SU HORNO MICROONDAS.
- NO CUBRA NI OBSTRUYA NINGUN TIPO DE VENTILACION DE SU HORNO.
- NO USE SU HORNO MICROONDAS PARA CALENTAR SUSTANCIAS QUIMICAS CORROSIVAS (POR EJEMPLO, SULFUROS Y CLORUROS), EL GAS DE DICHOS QUIMICOS PUEDE INTERACTUAR CON LOS CONTACTOS Y RESORTES DE LA LLAVE DE SEGURIDAD, DEJANDOLA INOPERABLE.
- NO SUMERJA EL CORDON NI EL ENCHUFE DENTRO DEL AGUA.
- MANTENGA SU HORNO MICROONDAS ALEJADO DE SUPERFICIES CALIENTES.
- NO DEJE EL CORDON COLGANDO EN EL BORDE DE MESAS O MOSTRADORES.
- NO LIMPIE SU HORNO MICROONDAS CON LIQUIDOS INFLAMABLES. LOS GASES QUE ESTOS EMITEN PUEDEN OCASIONAR UNA EXPLOSION Y/O INCENDIO.
- NO ALMACENAR NI USAR GASOLINA, NINGUN TIPO DE GAS O LIQUIDO INFLAMABLE CERCA DE SU HORNO MICROONDAS O DE OTROS ELECTRODOMESTICOS, YA QUE PUEDEN PRODUCIR UN INCENDIO Y DESENCADENAR UNA EXPLOSION.

GUARDE LAS INSTRUCCIONES CERCA DE SU ALCANCE.

INDICACIONES PARA LA INSTALACION

ANTES DE USAR SU HORNO MICROONDAS

- RETIRE LA ENVOLTURA EXTERIOR E INTERIOR
- VERIFIQUE QUE TENGA LAS SIGUIENTES PARTES:
 - PLATO DE VIDRIO
 - ARO GIRATORIO
 - MANUAL DE USO
- VERIFICAR QUE EL HORNO MICROONDAS NO TENGA LOS SIGUIENTES DAÑOS:
 - PUERTA MAL ALINEADA O DESCUADRADA
 - PUERTA DAÑADA
 - ABOLLADURAS O AGUJEROS EN LA PUERTA Y/O PANTALLA.
 - ABOLLADURAS DENTRO DEL HORNO.

SI SU HORNO MICROONDAS MUESTRA ALGUNA DE LAS CARACTERISTICAS ARRIBA MENCIONADAS, NO LO USE.

INSTALACION DE SU HORNO MICROONDAS

- DEBE UBICAR SU HORNO MICROONDAS EN UNA SUPERFICIE PLANA Y ESTABLE.
- NO OBSTRUYA NINGUN TIPO DE VENTILACION. SI ESTO SUCEDE MIENTRAS USTED OPERA SU HORNO MICROONDAS OCASIONARA QUE ESTE SE RECALIENTE Y QUE EVENTUALMENTE SE MALOGRE.
- COLOCAR EL HORNO MICROONDAS CERCA A SU TELEVISOR, RADIO, ANTENA O CABLES DE LA ANTENA, PODRIA OCASIONAR MALA SEÑAL EN LA TELEVISION E INTERFERENCIA EN LA RADIO. POR LO TANTO RECOMENDAMOS UBICAR SU HORNO MICROONDAS LO MAS ALEJADO POSIBLE DE ESTOS ARTEFACTOS.
- LIMPIE LA SUPERFICIE INTERIOR DEL HORNO MICROONDAS CON UN TRAPO SUAVE HUMEDECIDO CON UN POCO DE AGUA TIBIA.
- MANTENGA SU HORNO MICROONDAS ALEJADO DEL AIRE CALIENTE, VAPOR O DE LAS SALPICADURAS DE LIQUIDOS CUANDO ESCOJA UN LUGAR DONDE UBICARLO, DE NO HACERLO SU FUNCIONAMIENTO PODRIA SER AFECTADO.
- LOS RAYOS SOLARES DIRECTOS PODRIAN AFECTAR EL REVESTIMIENTO ACRILICO Y LAS FUENTES DE CALOR PODRIAN INCREMENTAR EL CONSUMO ELECTRICO.
- CONECTE SU HORNO MICROONDAS A UN TOMACORRIENTE DE PARED EXCLUSIVO Y APROPIADO. BAJO NINGUNA RAZON SE DEBE RETIRAR LA TERCERA PUNTA (CABLE DE TIERRA) DEL ENCHUFE. CUALQUIER CONSULTA RESPECTO A LA CORRIENTE ELECTRICA Y/O EL CABLE DE TIERRA, DEBE SER DIRIGIDA A UN ELECTRICISTA CERTIFICADO O A UN CENTRO DE SERVICIOS AUTORIZADO POR AVANTI PRODUCTS.
- NO COLOQUE OBJETOS SOBRE SU HORNO MICROONDAS.
- PARA ASEGURAR UNA VENTILACION APROPIADA MANTENGA SU HORNO MICROONDAS A POR LO MENOS 5 PULGADAS DE LA PARED.
- NO REMUEVA EL EJE DEL MOTOR GIRATORIO.

MEDIDAS DE PRECAUCION

USO GENERAL

- NO INTENTE MANIPULAR, AJUSTAR O REPARAR LA PUERTA, EL PANEL DE CONTROL O CUALQUIER PARTE DE SU HORNO MICROONDAS. NO REMUEVA EL PANEL DE CONTROL DEL HORNO. LAS REPARACIONES DEBERAN SER REALIZADAS POR PERSONAL DE SERVICIO CALIFICADO.
- NO UTILICE EL HORNO CUANDO ESTE VACIO. SI NO HAY ALIMENTOS O AGUA DENTRO DEL HORNO MICROONDAS, QUE PUEDAN ABSORBER TODA LA ENERGIA DE LAS MICROONDAS, ESTA SE REFLEJARA CONTINUAMENTE DENTRO DEL HORNO.
- DE SUCEDER UN INCENDIO, PRESIONE LA TECLA START/STOP EN EL PANEL DE CONTROL Y DEJE LA PUERTA CERRADA. DESCONECTE EL ENCHUFE O DESCONECTELO DE LA CAJA GENERAL DE LA ELECTRICIDAD.

- NO INTENTE SECAR ROPA, PERIODICOS, U OTRO TIPO DE MATERIALES EN EL HORNO. ESTOS PODRIAN INCENDIARSE.
- NO USE PRODUCTOS DE PAPEL RECICLADO, ESTOS CONTIENEN IMPUREZAS QUE PUEDEN CAUSAR CHISPAS Y FUEGOS CUANDO SON USADOS.
- NO GOLPEE EL PANEL DE CONTROL, PODRIA DAÑAR LOS CONTROLES.

UTENSILIOS

- NO USE ENVASES DE METAL O PLATOS CON BORDES METALICOS, PODRIAN OCASIONAR CHISPAS.
- NO USE ALAMBRES METALICOS PARA CERRAR BOLSAS EN SU HORNO MICROONDAS.
- NO USE FRASCOS SELLADOS O BOTELLAS DE CUELLO ESTRECHO PARA COCINAR O RECALENTAR. PODRIAN ROMPERSE.
- NO USE TERMOMETROS CONVENCIONALES EN EL MICROONDAS. SOLO USE LOS LLAMADOS "MICROWAVE SAFE" (PARA USO EN MICROONDAS) SIGUIENDO SUS INSTRUCCIONES.
- RETIRE LAS ENVOLTURAS PLASTICAS DE LOS ALIMENTOS ANTES DE COCINARLOS O DESCONGELARLOS.

CONEXION ELECTRICA

ESTA UNIDAD DEBE SER CONECTADA A TIERRA. EN EL CASO QUE OCURRA UN CORTO CIRCUITO, LA CONEXION A TIERRA REDUCIRA EL RIESGO DE RECIBIR UNA DESCARGA ELECTRICA POR TENER UN ALAMBRE PARA EL ESCAPE DE LA CORRIENTE ELECTRICA. ESTE HORNO MICROONDAS ESTA EQUIPADO CON UN ENCHUFE QUE POSEE UN CABLE DE TIERRA. EL CABLE DEBE SER CONECTADO EN UN TOMACORRIENTE QUE ESTE APROPIADAMENTE INSTALADO Y QUE POSEA UN RECEPTOR PARA CABLE DE TIERRA.

ADVERTENCIA

EL USO INAPROPIADO DEL CABLE DE TIERRA PUEDE RESULTAR EN UNA DESCARGA ELECTRICA. CONSULTE A UN ELECTRICISTA O PERSONAL DE SERVICIO CALIFICADO SI TIENE ALGUNA DUDA SOBRE LAS INSTRUCCIONES DE INSTALACION DEL CABLE DE TIERRA.

EL CORDON DEL HORNO MICROONDAS ESTA EQUIPADO CON UN ENCHUFE DE TRES PUNTAS EL CUAL ENCAJA PERFECTAMENTE EN UN TOMACORRIENTE DE PARED DE TRES PUNTAS ESTANDAR PARA REDUCIR EL RIESGO DE UNA DESCARGA ELECTRICA.

BAJO NINGUNA CIRCUNSTANCIA CORTE O RETIRE LA TERCERA PUNTA DEL ENCHUFE YA QUE ESTA ES LA CONEXION A TIERRA.

NO USE UNA EXTENSION ELECTRICA.

LA CORRIENTE ELECTRICA DE ESTE HORNO MICROONDAS ES DE 115 A 120 VOLTIOS, TIENE UNA SALIDA ELECTRICA DE 60 HZ Y UN ENCHUFE DE TIERRA DE TRES PUNTAS QUE VA CONECTADO AL TOMACORRIENTE DE PARED.

OPERANDO SU HORNO MICROONDAS

AUNQUE SU HORNO MICROONDAS ESTE EQUIPADO CON CARACTERISTICAS DE SEGURIDAD, ES IMPORTANTE TOMAR NOTA DE LO SIGUIENTE:

- NO TRABE O FUERZE LOS SEGUROS INTERNOS.
- NO DEJE NINGUN OBJETO ENTRE LA CARA FRONTAL DEL HORNO Y LA PUERTA. NO DEJE QUE SE ACUMULEN RESIDUOS EN LAS SUPERFICIES SELLADAS. LIMPIE DICHAS SUPERFICIES FRECUENTEMENTE CON UN DETERGENTE SUAVE, ENJUAGUE Y SEQUELO. NUNCA USE DETERGENTE EN POLVO O ESPONJAS ABRASIVAS.
- CUANDO LA PUERTA ESTE ABIERTA NO LA FUERZE DEMASIADO, POR EJEMPLO UN NIÑO COLGANDOSE DE ELLA O UNA CARGA QUE CAUSE QUE EL HORNO SE CAIGA HACIA DELANTE Y DE ESTA MANERA DAÑE LA PUERTA

- SI SU HORNO MICROONDAS ESTA MALOGRADO NO LO USE HASTA QUE HAYA SIDO REPARADO POR PERSONAL DE SERVICIO CALIFICADO. ES IMPORTANTE QUE SU HORNO MICROONDAS CIERRE APROPIADAMENTE Y QUE NO TENGA DAÑOS EN:
 - PUERTA (DOBLADA)
 - BISAGRAS Y MANIJAS (ROTAS O SUELTAS)
 - SELLOS DE LAS PUERTAS Y SUPERFICIES SELLADAS
- SU HORNO MICROONDAS DEBE SER REPARADO SOLO POR PERSONAL DE SERVICIO DEBIDAMENTE CALIFICADO

OPERACION

- CONECTE EL ENCHUFE A UN TOMACORRIENTE ESTANDAR DE 3 PUNTAS (120V AC 60 HZ, 15 AMP).
- CUANDO EL HORNO SE CONECTA POR PRIMERA VEZ LA PANTALLA DEL PANEL DE CONTROL MOSTRARA EL MENSAJE "ENTER CLOCK TIME" (ENTRE LA HORA DEL RELOJ), SI NO DESEA QUE SE MUESTRE LA HORA DEL RELOJ PRESIONE LA TECLA RESET.
- LUEGO DE COLOCAR LA COMIDA EN UN ENVASE ADECUADO. ABRA LA PUERTA DEL HORNO Y PONGALA SOBRE EL PLATO DE VIDRIO (ESTE Y EL ARO GIRATORIO DEBEN ESTAR SIEMPRE EN SU LUGAR CUANDO EL HORNO ESTE TRABAJANDO).
- CIERRE LA PUERTA.
- SI PRESIONA LA TECLA START/STOP Y EL HORNO NO COCINA, ASEGURESE QUE LA PUERTA ESTE BIEN CERRADA Y VERIFIQUE QUE NO TENGA OBSTRUCCIONES. EL HORNO NO COMENZARA A COCINAR HASTA QUE LA PUERTA ESTE COMPLETAMENTE CERRADA Y EL HORNO SE HAYA PROGRAMADO CORRECTAMENTE.
- CADA VEZ QUE UNA TECLA DEL PANEL DE CONTROL SEA MARCADA USTED ESCUCHARA EL SONIDO DE UN TIMBRE (BEEP). USTED DEBERA MARCAR ALGUNA DE LAS TECLAS DE FUNCIONES ANTES DE HACERLO CON LAS TECLAS NUMERICAS. DOS BEEP INDICARAN QUE EL HORNO NO ACEPTA LA INDICACION DIGITADA, POR FAVOR VERIFIQUELA Y VUELVA A INTENTARLO.
- EL HORNO COCINA AUTOMATICAMENTE CON LA POTENCIA MAS ALTA Y DESCONGELA CON LA MAS BAJA.
- LA PUERTA DEL HORNO PUEDE ABRIRSE EN CUALQUIER MOMENTO AUNQUE ESTE EN FUNCIONAMIENTO, EL HORNO SE APAGARA AUTOMATICAMENTE PERO TODA LA INFORMACION QUEDARA RETENIDA. PARA REINICIAR SU FUNCIONAMIENTO CIERRE LA PUERTA DEL HORNO Y PRESIONE LA TECLA START/STOP EN EL PANEL DE CONTROL.
- CUANDO PRESIONE LA TECLA START/STOP MIENTRAS EL HORNO MICROONDAS OPERA, ESTE DEJARA DE COCINAR.

PANEL DE CONTROL (VEA PAGINA 9)

A CONTINUACION LE INDICAMOS LAS INSTRUCCIONES PARA EL MANEJO DE LOS COMANDOS DEL PANEL DE CONTROL:

POWER (POTENCIA)

SE USA PARA SELECCIONAR EL NIVEL DE POTENCIA

TIMER (MEDIDOR DE TIEMPO) PARA COMIDAS EXTERNAS

USTED PUEDE USAR ESTA FUNCION INDEPENDIENTEMENTE, AUN CUANDO EL HORNO ESTE EN USO.

COOK (COCINAR)

SE USA PARA COCINAR EN ETAPAS Y POTENCIAS DISTINTAS. USTED PODRA COCINAR A UNA POTENCIA POR UN PERIODO DE TIEMPO, LUEGO EL HORNO CAMBIARA AUTOMATICAMENTE LA POTENCIA PARA EL RESTO DE LA COCCION (SEGUN HAYA SIDO PROGRAMADO POR USTED)

COOK BY WEIGHT (COCINAR SEGUN EL PESO)
CON SOLO DIGITAR EL PESO Y EL TIPO DE LA CARNE, EL HORNO FIJA AUTOMATICAMENTE EL TIEMPO DE COCCION Y EL NIVEL DE POTENCIA

DEFROST BY WEIGHT (DESCONGELAR SEGUN EL PESO)
USTED SOLO DEBE INGRESAR EL PESO DE LA COMIDA A SER DESCONGELADA, SEGUIDAMENTE EL HORNO DIVIDIRA Y FIJARA AUTOMATICAMENTE, EL TIEMPO E INTERVALOS CON LOS QUE DESCONGELARA LOS ALIMENTOS, ALTERNANDO ETAPAS DE COCCION (ENCENDIDO) Y REPOSO (APAGADO).

NUMBER PADS (0-9) (TECLADO NUMERICO)
EL TECLADO DE NUMEROS SIRVE PARA INGRESAR TIEMPOS Y CANTIDADES.

CLOCK (RELOJ)
SE USA PARA INGRESAR LA HORA ACTUAL EN EL RELOJ.

RESET (REINICIO)
REINICIA TODAS LAS PROGRAMACIONES SI SE MARCA ANTES DE COMENZAR A COCINAR.

START/STOP (COMENZAR/PARAR)
SE USA PARA INICIAR, DETENER O FINALIZAR EL FUNCIONAMIENTO DEL HORNO.

POP CORN (PALOMITAS DE MAIZ), BAKED POTATO (PAPA HORNEADA), PIZZA, BEVERAGE (BEBIDAS), FROZEN DINNER (COMIDAS CONGELADAS), REHEAT (RECALENTAR) SON FUNCIONES PRE-PROGRAMADAS. ESTAS OPCIONES LE PERMITIRAN COCINAR O RECALENTAR ALIMENTOS AUTOMATICAMENTE SIN NECESIDAD DE INGRESAR LA POTENCIA O EL TIEMPO DE COCCION.

TIMER (MEDIDOR DE TIEMPO)

- SE USA PARA PROGRAMAR EL TIEMPO DE COCINADO
- PERMITE PROGRAMAR HASTA 99 MINUTOS Y 99 SEGUNDOS

RESET (REINICIAR)

- CANCELA EL NIVEL DE POTENCIA, EL TIEMPO DE COCCION Y DESCONGELADO PREVIAMENTE PROGRAMADOS.
- LA HORA DEL RELOJ NO PUEDE SER CANCELADA.

START/STOP (INICIAR/TERMINAR)

- INICIA, DETIENE O FINALIZA TODOS LOS PROGRAMAS.
- LA LUZ INDICADORA DE COCCION Y LA DEL HORNO SE ENCENDERAN Y EL VENTILADOR DE REFRIGERACION EMPEZARA A FUNCIONAR.

NOTA : AL TERMINO DE UNA FUNCION - LA PANTALLA MOSTRARA EL MENSAJE "END"

- CUANDO ALGUNA FUNCION LLEGUE A SU TERMINO, SU HORNO MICROONDAS LE AVISARA DE LA SIGUIENTE MANERA:
- ESCUCHARA TRES VECES EL SONIDO BEEP, LA LUZ INDICADORA DE COCCION SE APAGARA Y DESPUES DE ABRIR LA PUERTA LA PANTALLA MOSTRARA NUEVAMENTE LA HORA.
- LA LUZ DEL HORNO Y EL VENTILADOR DE REFRIGERACION SE APAGARAN
- EL HORNO EMITIRA AUTOMATICAMENTE, Y CADA DOS MINUTOS, TRES VECES EL SONIDO BEEP HASTA QUE LA PUERTA DEL HORNO SE ABRA O SE TOQUE LA TECLA RESET

NOTA: INTERRUPCION DE UNA FUNCION - ABRA LA PUERTA DEL HORNO

- EL HORNO SE DETENDRA INMEDIATAMENTE.
- SI NO NECESITA SEGUIR COCINANDO PRESIONE LA TECLA RESET.

- PARA CONTINUAR COCINANDO CIERRE LA PUERTA DEL HORNO Y PRESIONE LA TECLA START/STOP. EL HORNO SEGUIRA COCINANDO.

SPEED DEFROST (DESCONGELADO RAPIDO)

- ESTA FUNCION SIRVE PARA DESCONGELAR COMIDA.
- ESTE CICLO COMIENZA CON UNA POTENCIA ALTA-MEDIA, LUEGO SE REDUCE A MEDIA-BAJA AUTOMATICAMENTE, Y TERMINA EN LA POTENCIA MAS BAJA MIENTRAS LA COMIDA TERMINA DE DESCONGELARSE.
- LA LUZ INDICADORA DE DESCONGELAMIENTO RAPIDO Y LA DE COCCION ESTARAN PRENDIDAS DURANTE EL TODO EL CICLO.

CARACTERISTICAS ESPECIALES DE SU HORNO MICROONDAS

MINUTE TIMER (MEDIDOR DE TIEMPO POR MINUTOS)

SE USA PARA TOMAR EL TIEMPO A COSAS QUE SE HACEN FUERA DEL HORNO. CUANDO EL TIEMPO PROGRAMADO HAYA TRANSCURRIDO EL HORNO EMITIRA CUATRO VECES EL SONIDO BEEP. LA LUZ DEL HORNO Y EL VENTILADOR DE REFRIGERACION ESTARAN ENCENDIDOS MIENTRAS EL MEDIDOR DE TIEMPO ESTE ACTIVO.

AUTO TIMER (MEDIDOR DE TIEMPO AUTOMATICO)

LUEGO DE TERMINAR LOS PROGRAMAS DE COCINADO O DESCONGELADO, EL HORNO EMITIRA CUATRO VECES EL SONIDO BEEP CADA DOS MINUTOS HASTA QUE SE ABRA LA PUERTA O SE PRESIONE LA TECLA RESET.

CHILD PROOF LOCK (SEGURO PARA PREVENIR ACCIDENTES) PROVOCADOS POR NIÑOS

SU HORNO MICROONDAS CUENTA CON UNA FUNCION QUE PERMITE BLOQUEARLO, DE ESTA MANERA EVITARA EL USO INDEBIDO Y ACCIDENTAL DEL MISMO. MIENTRAS ESTE PROGRAMADO, EL INDICADOR CHILD PROOF LOCK ESTARA ENCENDIDO Y EL HORNO NO PODRA OPERARSE.

COMO PROGRAMAR LOS CONTROLES DEL HORNO

SEÑALES DURANTE LA PROGRAMACION DEL HORNO

UNA SEÑAL (BEEP) Y EL HORNO ACEPTA LOS DATOS PARA LA PROGRAMACION.
DOS SEÑALES (BEEP) EL HORNO NO ACEPTA LA INDICACION DIGITADA, VERIFIQUELA E INTENTE NUEVAMENTE.

PROGRAMANDO EL RELOJ

1. OPRIMA LA TECLA MARCADA CLOCK PARA UN RELOJ DE 12 HORAS
2. USE LAS TECLAS CON NUMEROS PARA PROGRAMAR LA HORA CORRECTA, SI USTED SELECCIONO EL RELOJ PARA EL SISTEMA DE 12 HORAS ESTE LE PERMITIRÁ UNA SELECCIÓN DE 1:00 AM HAST 12:59 PM.
USTED DEBE DE PRESIONAR NO MENOS DE TRES NUMEROS PARA LA PROGRAMACION DEL RELOJ. UNO PARA LAS HORA Y DOS PARA LOS MINUTOS.
3. OPRIMA LA TECLA MARCADA CLOCK DE NUEVO.

NOTA: ESTE ES UN RELOJ DE 12 HORAS.

CUANDO EL HORNO ES CONECTADO POR PRIMERA VEZ O CUANDO LA CORRIENTE RETORNE LUEGO DE UNA INTERRUPCION, LA PANTALLA MOSTRARA EL MENSAJE "HR 12" (PROGRAME LA HORA). SI NO DESEA PROGRAMARLA PRESIONE RESET. USTED PUEDE VER LA HORA DEL RELOJ MIENTRAS COCINA PRESIONANDO LA TECLA CLOCK.

PROGRAMANDO EL MEDIDOR DE TIEMPO

1. PRESIONE LA TECLA TIMER
2. PROGRAME EL TIEMPO USANDO LAS TECLAS NUMERICAS. EL TIEMPO ESTA EXPRESADO EN MINUTOS Y SEGUNDOS Y SE LEE DE IZQUIERDA A DERECHA. PUEDE PRESIONAR DE UNO HASTA CUATRO NUMEROS (2405 PARA 24 MINUTOS, 5 SEGUNDOS)
3. PRESIONE LA TECLA START/STOP

NOTA: LA CUENTA REGRESIVA SE PODRA VER EN LA PANTALLA POR TRES SEGUNDOS ANTES QUE EL RELOJ O EL TIEMPO DE COCCION RETORNEN A LA PANTALLA. PRESIONE TIMER Y LUEGO RESET PARA CANCELAR EL MEDIDOR DE TIEMPO CUANDO ESTE ACTIVADO.

CONFIGURANDO UN PROGRAMA DE COCCION

- A. ONE STAGE-COOKING (COCCION EN UNA SOLA ETAPA)
1. USE LAS TECLAS NUMERICAS PARA PROGRAMAR EL TIEMPO DE COCCION. SE PUEDE PROGRAMAR TIEMPOS DE COCCION ENTRE 01 SEGUNDO(S) Y 99 MINUTOS CON 99 SEGUNDOS.
 2. SI DESEA PROGRAMAR UN NIVEL DE POTENCIA DISTINTO DE 100% PRESIONE POWER
 3. PRESIONE LAS TECLAS NUMERICAS PARA INGRESAR EL NIVEL DE POTENCIA (DE 1 A 9), USE SOLO UN DIGITO PARA PROGRAMAR EL NIVEL DE POTENCIA.
 4. PRESIONE START/STOP PARA INICIAR LA COCCION.

TECLADO NUMERICO	NIVEL DE POTENCIA
9	90%
8	80%
7	70%
6	60%
5	50%
4	40%
3	30%
2	20%
1	10%

- B. TWO-STAGE COOKING (COCCION EN DOS ETAPAS)
- ESTA FUNCION ES IDEAL PARA LAS RECETAS QUE REQUIEREN ETAPAS DE COCCION A DISTINTAS TEMPERATURAS.
1. PROGRAMANDO LA ETAPA 1:
SIGA LOS PASOS 1 Y 2 DE "COCCION EN UNA SOLA ETAPA". NO PRESIONE START/STOP.
 2. PROGRAMANDO LA ETAPA 2:
PRESIONE COOK (LA PANTALLA MOSTRARA "MEM" – MEMORIA) E INGRESE EL TIEMPO DE COCCION ADECUADO Y EL NUEVO NIVEL DE POTENCIA (LA MAYORIA DE LAS RECETAS USAN EL NIVEL DE COCCION MAS BAJO PARA LA SEGUNDA ETAPA).
 3. PRESIONE START/STOP

NOTA: CUANDO EL TIEMPO DE COCCION HAYA FINALIZADO, EL HORNO EMITIRA CUATRO VECES EL SONIDO BEEP Y EL MENSAJE END (FIN) APARECERA EN LA PANTALLA. PRESIONE RESET O ABRA LA PUERTA DEL HORNO PARA QUE EL MENSAJE END DESAPAREZCA ANTES DE INICIAR OTRA COCCION.

DESCONGELADO RAPIDO (SPEED DEFROST)

1. PRESIONE LA TECLA SPEED DEFROST
2. INTRODUZCA EL TIEMPO DE DESCONGELAMIENTO PRESIONANDO LAS TECLAS NUMERICAS. USTED DEBERA MARCAR EL TIEMPO EN MINUTOS Y SEGUNDOS, DE IZQUIERDA A DERECHA. PUEDE DIGITAR DE UNO (MARQUE 5 PARA 5 SEGUNDOS) HASTA CUATRO DIGITOS (2405 PARA 24 MINUTOS, 5 SEGUNDOS)
3. PRESIONE START/STOP

NOTA: CUANDO EL TIEMPO DE COCCION HAYA FINALIZADO, EL HORNO HARA CUATRO VECES EL SONIDO BEEP Y EL MENSAJE END (FIN) APARECERA EN LA PANTALLA. PRESIONE RESET O ABRA LA PUERTA DEL HORNO PARA QUE EL MENSAJE END DESAPAREZCA

ANTES DE INICIAR OTRA COCCION.

DESPUES DE FIJAR EN EL HORNO LA FUNCION DE DESCONGELADO-RAPIDO USTED PUEDE PROGRAMARLO PARA INTERCALARLA CON LAS FUNCIONES DE COCCION EN UNA O DOS ETAPAS.

PARA USAR CONJUNTAMENTE LAS FUNCIONES DE DESCONGELADO-RAPIDO Y COCCION EN UNA SOLA ETAPA, SIGA ESTAS INSTRUCCIONES:

1. SIGA LOS PASOS 1 Y 2 DE LA FUNCION DESCONGELADO-RAPIDO.
2. PRESIONE LA TECLA COOK E INGRESE EL TIEMPO DE COCCION Y NIVEL DE POTENCIA.
3. PRESIONE LA TECLA START/STOP.

PARA USAR LA FUNCION DE DESCONGELADO-RAPIDO Y COCCION EN DOS ETAPAS, SIGA ESTAS INSTRUCCIONES:

1. SIGA LOS PASOS 1 Y 2 DE LA FUNCION DESCONGELADO-RAPIDO.
2. PRESIONE LA TECLA COOK E INGRESE EL TIEMPO DE COCCION Y NIVEL DE POTENCIA.
3. INGRESE LA PROGRAMACION PARA COCCION EN DOS ETAPAS
4. PRESIONE LA TECLA START/STOP.

DESCONGELAMIENTO POR PESO (DEFROST BY WEIGHT)

1. PRESIONE LA TECLA DEFROST BY WEIGHT.
2. INGRESE EL PESO USANDO EL TECLADO NUMERICO.
3. PRESIONE LA TECLA START/STOP

CONVIERTIENDO FRACCIONES DE LIBRAS A ONZAS.

FRACCIONES DE LIBRA	ONZAS
.01 HASTA .02	0
.03 HASTA .09	1
.10 HASTA .15	2
.16 HASTA .21	3
.22 HASTA .27	4
.28 HASTA .34	5
.35 HASTA .40	6
.41 HASTA .46	7
.47 HASTA .53	8
.54 HASTA .59	9
.60 HASTA .65	10
.66 HASTA .71	11
.72 HASTA .78	12
.79 HASTA .84	13
.85 HASTA .90	14
.91 HASTA .97	15
.98 HASTA .99	AUMENTAR UNA LIBRA MAS

LOS PESOS MENORES A 10 ONZAS DEBEN SER PROGRAMADOS ANTEPONIENDO UN CERO. SI LA ETIQUETA DE LA COMIDA SOLO MUESTRA EL PESO EN LIBRAS, CONVIERTA LAS FRACCIONES (DE HABERLAS) A ONZAS USANDO LA TABLA DE CONVERSION. DELE LA VUELTA A LA CARNE CUANDO EL HORNO HAGA EL SONIDO BEEP DOS VECES, OPRIMA LA TECLA START/STOP PARA CONTINUAR COCINANDO. CUANDO EL TIEMPO DE COCCION HAYA FINALIZADO, EL HORNO HARA CUATRO VECES EL SONIDO BEEP Y EL MENSAJE END (FIN) APARECERA EN LA PANTALLA. PRESIONE RESET O ABRA LA PUERTA DEL HORNO PARA QUE EL MENSAJE END DESAPAREZCA ANTES DE INICIAR OTRA COCCION.

PROGRAMANDO PARA PREVENIR EL USO DE ESTE MICROONDAS POR NIÑOS

ESTE SEGURO PREVIENE ACCIDENTES POR OPERACIONES INDEBIDAS PROVOCADAS POR NIÑOS. PARA PROGRAMARLO MANTENGA PRESIONADA LA TECLA RESET POR 3 SEGUNDOS. EL MENSAJE LOCK (BLOQUEADO) APARECERA EN LA PANTALLA. PARA CANCELAR LA FUNCION MANTENGA PRESIONADA LA TECLA RESET POR 3 SEGUNDOS, EL MENSAJE LOCK (BLOQUEADO) DESAPARECERA DE LA PANTALLA.

PROGRAMACION DE LA FUNCION COCCION RAPIDA

ESTA FUNCION LE PERMITIRA COCINAR O RECALENTAR COMIDAS AUTOMATICAMENTE SIN NECESIDAD DE INGRESAR EL NIVEL DE POTENCIA O EL TIEMPO DE COCCION. PARA PORCIONES PEQUEÑAS, SIMPLEMENTE PRESIONE LA TECLA QUE APLIQUE PARA EL TIPO DE COMIDA Y SEGUIDAMENTE LA TECLA START/STOP. PARA PORCIONES MAS GRANDES, PRESIONE LA MISMA TECLA DOS VECES. LAS TECLAS FROZEN DINNER (COMIDAS CONGELADAS), BAKED POTATO (PAPA AL HORNO) Y BEVERAGE (BEBIDAS) LE PERMITEN COCINAR MUCHAS CANTIDADES DE LA MISMA COMIDA. SIMPLEMENTE PRESIONE UNA VEZ LA TECLA APROPIADA PARA EL TIPO DE ALIMENTO, APARECERA EL MENSAJE ENTER AMT (INGRESE LA CANTIDAD) EN LA PANTALLA. INGRESE EL NUMERO DE PORCIONES PRESIONE CON LAS TECLAS NUMERICAS, LUEGO PRESIONE START/STOP.

TECLA PALOMITAS DE MAIZ (POPCORN)

1. OPRIMIR LA TECLA POPCORN
2. OPRIMIR EL NUMERO APROPIADO CON EL TAMAÑO DE BOLSA.

	Tamaño de bolsa	Tiempo de cocción
1	1.2 oz	1 min. 40 sec.
2	3.0 oz	2 min. 35 sec.
3	3.5 oz	3 min. 00 sec.

3. PRESIONE START/STOP

NOTA:

PARA MEJORES RESULTADOS, RECOMENDAMOS QUE SIGA TODAS LAS INSTRUCCIONES Y LOS TIEMPOS DE COCCION MARCADOS EN EL PAQUETE DE PALOMITAS DE MAIZ (POPCORN).

TECLA PAPA AL HORNO (BAKED POTATO)

PARA PAPAS DE 4 A 6 ONZAS:

1. PRESIONE LA TECLA POTATO UNA VEZ
2. INGRESE EL NUMERO DE PAPAS, DE 1 A 4, USANDO LAS TECLAS NUMERICAS. LOS TIEMPOS DE COCINADO PARA PAPAS DE TAMAÑO PEQUEÑO-MEDIANO SON LOS SIGUIENTES:

CANTIDADES	TIEMPO DE COCCION
1 PAPA	4 MIN. 00 SEC.
2 PAPAS	6 MIN. 30 SEC.
3 PAPAS	9 MIN. 00 SEC.
4 PAPAS	13 MIN. 00 SEC.

3. PRESIONE START/STOP

PARA PAPAS DE 8 A 10 ONZAS:

1. PRESIONE LA TECLA POTATO DOS VECES
2. INGRESE EL NUMERO DE PAPAS, DE 1 A 4, USANDO LAS TECLAS NUMERICAS. LOS TIEMPOS DE COCINADO PARA PAPAS DE TAMAÑO GRANDE SON LOS SIGUIENTES:

CANTIDADES	TIEMPO DE COCCION
1 PAPA	6 MIN. 00 SEC.
2 PAPAS	9 MIN. 20 SEC.
3 PAPAS	13 MIN. 20 SEC.
4 PAPAS	16 MIN. 30 SEC.

3. PRESIONE START/STOP

PIZZAS

RECALENTANDO UNA TAJADA DE PIZZA:

1. PRESIONE LA TECLA PIZZA UNA VEZ. LOS MENSAJES CODE (CODIGO) Y 1:40 (1 MINUTO Y 40 SEGUNDOS) APARECERAN EN LA PANTALLA.
2. PRESIONE START/STOP

CALENTANDO UNA PIZZA CONGELADA COMPLETA

1. PRESIONE LA TECLA PIZZA DOS VECES. LOS MENSAJES CODE (CODIGO) Y 5:00 (5 MINUTO) APARECERAN EN LA PANTALLA.
2. PRESIONE START/STOP

BEBIDAS (BEVERAGE)

PARA ENVASES DE 5 A 7 ONZAS.

1. PRESIONE LA TECLA BEVERAGE UNA VEZ.
2. INGRESE EL NUMERO DE ENVASES, DE 1 A 4, USANDO LAS TECLAS NUMERICAS. LOS TIEMPOS DE COCINADO PARA BEBIDAS SON LOS SIGUIENTES:

CANTIDADES	TIEMPO DE COCCION
1 TAZA	1 MIN. 30 SEC.
2 TAZAS	2 MIN. 50 SEC.
3 TAZAS	4 MIN. 10 SEC.
4 TAZAS	5 MIN. 30 SEC.

3. PRESIONE START/STOP

PARA TAZAS DE CAFE DE 9 A 11 ONZAS:

1. PRESIONE LA TECLA BEVERAGE DOS VECES.
2. INGRESE EL NUMERO DE TAZAS, DE 1 A 4, USANDO LAS TECLAS NUMERICAS. LOS TIEMPOS DE COCINADO SON LOS SIGUIENTES:

CANTIDADES	TIEMPO DE COCCION
1 TAZA	2 MIN. 40 SEC.
2 TAZAS	4 MIN. 50 SEC.
3 TAZAS	6 MIN. 20 SEC.
4 TAZAS	7 MIN. 40 SEC.

3. PRESIONE START/STOP

COMIDAS CONGELADAS (FROZEN DINNER)

PARA UNA O DOS COMIDAS CONGELADAS PEQUEÑAS (DE 7 A 9 ONZAS):

1. PRESIONE LA TECLA FROZEN DINNER UNA VEZ
2. PARA UNA PORCION, PRESIONE START/STOP. PARA 2 PORCIONES, PRESIONE EL "2" EN EL TECLADO NUMERICO.
3. LOS TIEMPOS DE COCCION PARA COMIDAS CONGELADAS PEQUEÑAS SON LOS SIGUIENTES:

CANTIDADES	TIEMPO DE COCCION
1 PORCION	7 MIN. 00 SEC.
2 PORCIONES	11 MIN. 00 SEC.

4. PRESIONE START/STOP

PARA PORCIONES GRANDES (DE 10 A 12 ONZAS)

1. PRESIONE LA TECLA FROZEN DINNER DOS VECES.
2. PARA UNA PORCION, SOLO PRESIONE START/STOP. PARA 2 PORCIONES, OPRIMA EL "2" EN EL TECLADO NUMERICO.
3. LOS TIEMPOS DE COCCION PARA COMIDAS CONGELADAS GRANDES SON LOS SIGUIENTES:

CANTIDADES	TIEMPO DE COCCION
1 PORCION	8 MIN. 30 SEC.
2 PORCIONES	13 MIN. 00 SEC.

4. PRESIONE START/STOP

NOTA: LA SEQUENCIAS DE TIEMPO MOSTRADA EN LA TABLA DE COCCION RAPIDA, PUDIERA HABER SIDO CAMBIADA O ACTUALIZADA, SI USTED PREFERE USE LOS TIEMPOS MOSTRADOS EN EL PANEL DE SU MICROONDAS COMO CORRECTOS.

RECALENTAR (REHEAT)

1. OPRIMA LA TECLA REHEAT
2. CODE Y 4:10 (4 MIN.10 SEC.) MOSTRARA EN LA PANTALLA
3. OPRIMA LA TECLA START / STOP

NOTA: USE PLATOS O CASEROLAS ALGO MAS GRANDE QUE LA INDICADA CONTINUE REPETIDAMENTE SI RECALENTAMIENTO NO ES SUFICIENTE.

NOTA:

ESTA SELECCION TE PERMITE RECALENTAR PLATOS DE COMIDAS FRIAS CON UN BUEN RESULTADO.

CUIDADO Y MANTENIMIENTO

LIMPIEZA DE SU HORNO MICROONDAS

APAGUE Y DESCONECTE EL ENCHUFE DE PARED ANTES DE LIMPIAR SU HORNO. MANTENGA EL INTERIOR DE SU HORNO MICROONDAS LIMPIO. LOS ALIMENTOS SALPICAN O DERRAMAN PARTICULAS Y LIQUIDOS QUE SE ADHIEREN A LAS PAREDES DEL HORNO, ES RECOMENDABLE LIMPIARLAS CON UN PAÑO HUMEDO. PUEDE USAR UN DETERGENTE MUY SUAVE SI EL HORNO SE ENCUENTRA MUY SUCIO. NO RECOMENDAMOS EL USO DE DETERGENTES O ABRASIVOS FUERTES.

USTED DEBE LIMPIAR LAS PARTES EXTERNAS DE SU HORNO MICROONDAS CON UN PAÑO HUMEDO. PARA PREVENIR DAÑOS EN LAS PARTES INTERNAS DE SU HORNO, EL AGUA NO SE DEBE FILTRAR DENTRO DE LAS REJILLAS DE VENTILACION.

NO PERMITA QUE EL PANEL DE CONTROL SE MOJE. LIMPIELO CON UN PAÑO SUAVE Y HUMEDO. NO USE DETERGENTES, ABRASIVOS O LIMPIADORES EN SPRAY.

CUANDO LIMPIE EL PANEL DE CONTROL DEJE LA PUERTA DEL HORNO ABIERTA PARA PREVENIR QUE ESTE COMIENZE A FUNCIONAR ACCIDENTALMENTE.

SI SE ACUMULA VAPOR DE AGUA DENTRO O ALREDEDOR DE LA PUERTA DEL HORNO MICROONDAS LIMPIELA CON UN PAÑO SUAVE. ESTO PUEDE OCURRIR CUANDO SU HORNO MICROONDAS ESTA FUNCIONANDO DENTRO DE UN AMBIENTE HUMEDO, Y DE NINGUNA MANERA SE DEBE DE INTERPRETAR COMO UN MAL FUNCIONAMIENTO DEL HORNO.

OCASIONALMENTE ES NECESARIO RETIRAR EL PLATO GIRATORIO DE VIDRIO PARA LAVARLO. HAGALO CON AGUA TIBIA JABONOSA O EN LA LAVADORA DE PLATOS.

EL ARO GIRATORIO Y EL PISO INTERIOR DEL HORNO DEBEN SER LIMPIADOS REGULARMENTE PARA EVITAR EL RUIDO EXCESIVO. SIMPLEMENTE LIMPIE LA SUPERFICIE INFERIOR DE SU HORNO CON UN PAÑO, DETERGENTE SUAVE, UN POCO DE AGUA O CON LIQUIDO PARA LIMPIAR VIDRIOS Y LUEGO SEQUELO. EL ARO GIRATORIO PUEDE SER LAVADO EN AGUA LIGERAMENTE JABONOSA O EN LA LAVADORA DE PLATOS.

DEBIDO AL USO REPETIDO DEL HORNO, ESTE ACUMULA VAPORES DE COCINA, ESTO NO AFECTA EL PISO INTERIOR NI LAS RUEDAS DEL ARO GIRATORIO. CUANDO RETIRE EL ARO GIRATORIO DE LA CAVIDAD INFERIOR PARA LIMPIARLO, ASEGURESE DE COLOCARLA NUEVAMENTE EN LA POSICION APROPIADA.

SI SU HORNO MICROONDAS TIENE MAL OLORES, COMBINE EN UNA TAZA DE AGUA EL JUGO Y LA CASCARA DE UN LIMON. PONGA EN MARCHA SU HORNO MICROONDAS POR 5 MINUTOS. FROTE Y SEQUE COMPLETAMENTE TODO SU HORNO MICROONDAS CON UN PAÑO SUAVE.

POR FAVOR VISITE A UN REPRESENTANTE AUTORIZADO PARA QUE EFECTUE EL REEMPLAZO DEL BOMBILLO CUANDO SEA NECESARIO.

PROBLEMAS CON SU HORNO MICROONDAS?

USTED PUEDE RESOLVER MUCHOS PROBLEMAS COMUNES DE SU HORNO MICROONDAS, AHORRANDOLE EL GASTO DE UNA POSIBLE VISITA DEL SERVICIO TECNICO. PRUEBE LAS SIGUIENTES SUGERENCIAS PARA VERIFICAR SI USTED PUEDE RESOLVER EL PROBLEMA ANTES DE LLAMAR AL SERVICIO TECNICO.

GUIA PARA SOLUCIONAR PROBLEMAS

PROBLEMA	SOLUCION
SU MICROONDA NO FUNCIONA	NO ESTA CONECTADO A LA CORRIENTE ELECTRICA. EL INTERRUPTOR SALTO O SE QUEMO UN FUSIBLE LA PUERTA NO ESTA CERRADA APROPIADAMENTE
LA LUZ NO PRENDE	EL INTERRUPTOR SALTO O SE QUEMO UN FUSIBLE EL MICROONDA ESTA DESCONECTADO EL FOCO SE QUEMO (LEA LA PAGINA DE MANTENIMIENTO PARA VER EL PROCEDIMIENTO DE REEMPLAZO)
VIBRACIONES	ASEGURESE QUE EL HORNO MICROONDAS ESTE UBICADO EN UN LUGAR TOTALMENTE PLANO.

AIDEZ-NOUS VOUS AIDER ...

Lisez attentivement ce guide.

Il est destiné à vous aider à utiliser et entretenir votre nouvelle micro-ondes correctement.

Gardez à portée de main pour répondre à vos questions.

Si vous ne comprenez pas quelque chose ou vous avez besoin de plus d'aide, s'il vous plaît appelez:

**Avanti Service à la clientèle
800-220-5570**

Conserver une preuve de la date d'achat originale (comme votre ticket de caisse) avec ce guide pour établir la période de garantie.

Notez le modèle et les numéros de série.

Vous les trouverez sur une étiquette située sur la paroi arrière du four à micro-ondes.

S'il vous plaît écrire ces chiffres ici:

Date d'achat

Numéro de modèle

Numéro de série

Utilisez ces numéros dans toute correspondance ou services appels concernant votre four à micro-ondes.

Si vous avez reçu un four micro-ondes endommagé, contactez immédiatement le revendeur (ou le constructeur) qui vous a vendu le four à micro-ondes.

Gagnez du temps et de l'argent. Avant d'appeler le service, consultez le Guide de dépannage. Il répertorie les causes des problèmes de fonctionnement mineurs que vous pouvez vous corriger.

SI VOUS AVEZ BESOIN DE SERVICE

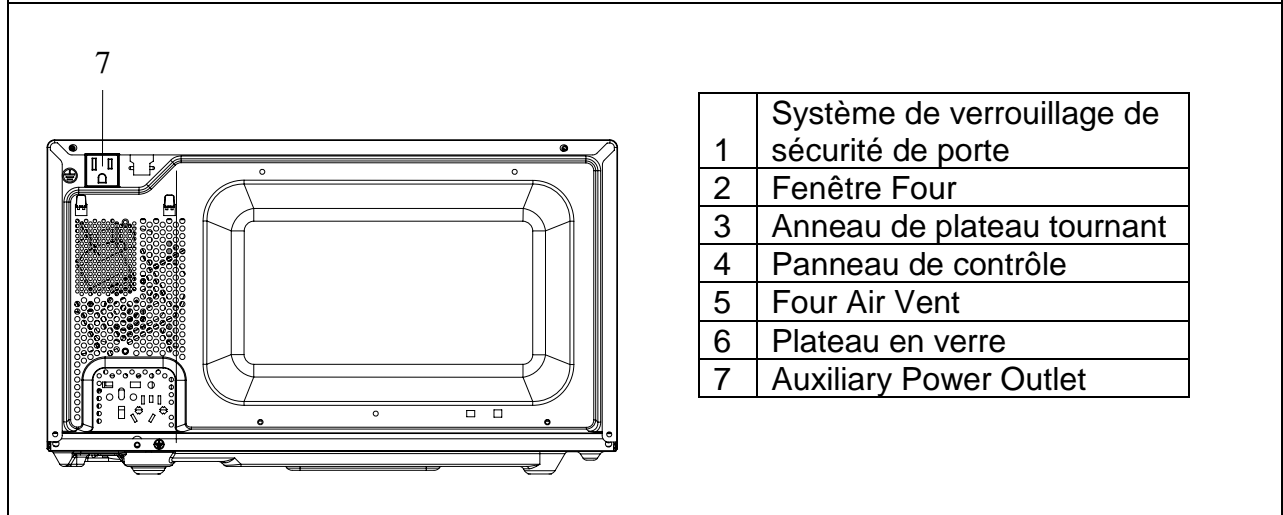
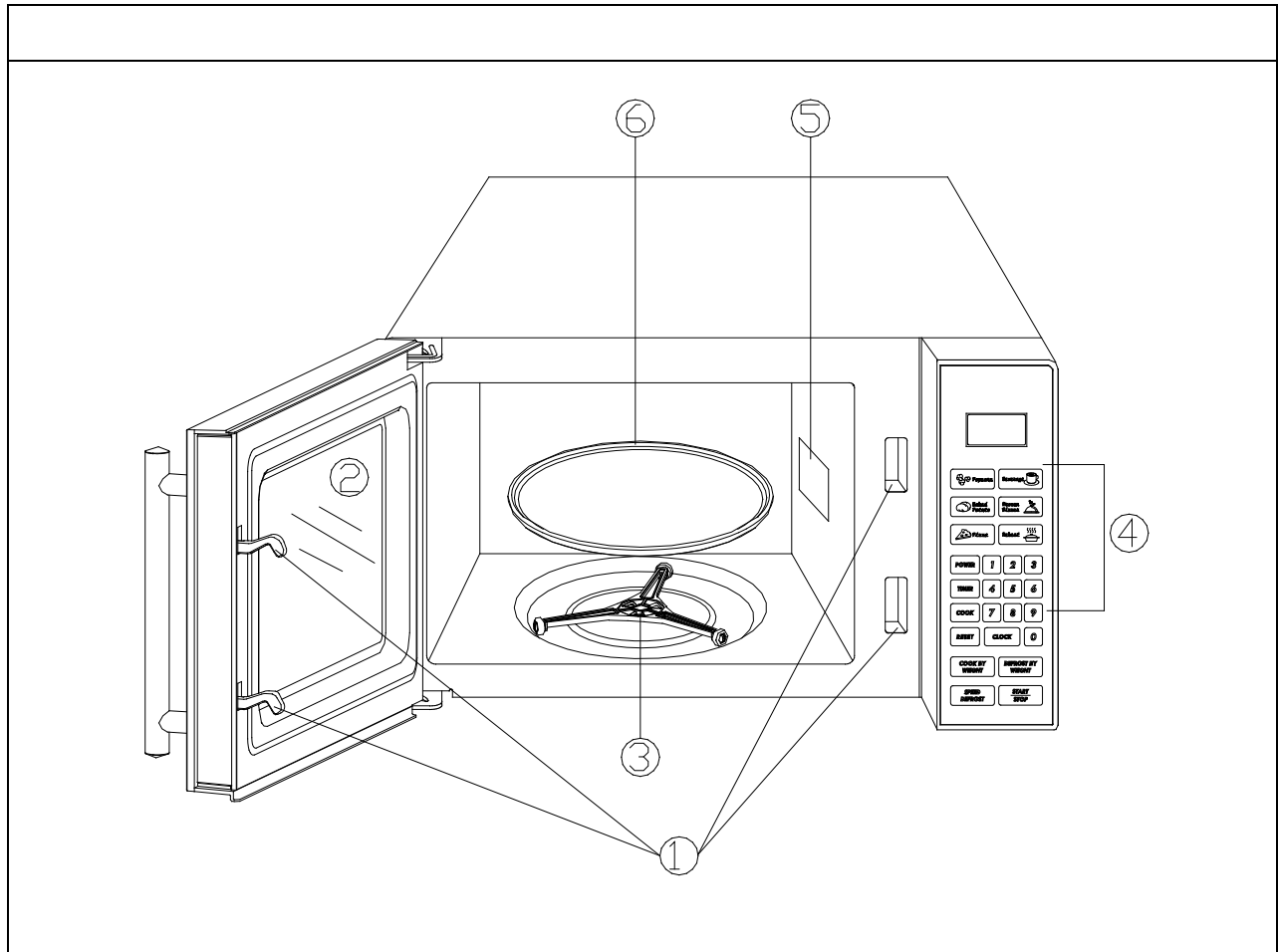
Nous sommes fiers de notre service et voulons que vous soyez heureux. Si pour quelque raison vous n'êtes pas heureux avec le service que vous recevez, voici quelques étapes à suivre pour obtenir de l'aide.

PREMIER, communiquez avec les gens qui ont réparé votre four à micro-ondes. Expliquez pourquoi vous n'êtes pas satisfait. Dans la plupart des cas, cela va résoudre le problème.

Ensuite, si vous n'êtes toujours pas satisfait, écrire tous les détails, y compris votre numéro de téléphone, et l'envoyer à:

**Service Clients
Avanti Products
10880 NW 30 Street
Miami, FL 33172 Etats-Unis**

Pièces et caractéristiques



CONSIGNES DE SÉCURITÉ IMPORTANTES

Lors de l'utilisation des appareils électriques des précautions de base doivent être respectées, y compris les suivantes:

~ AVERTISSEMENT ~

Pour réduire le risque d'incendie, de choc électrique ou de blessure lors de l'utilisation de votre appareil, suivre ces précautions de base:

- Lisez toutes les instructions avant d'utiliser l'appareil.
- Lisez et suivez les "PRÉCAUTIONS POUR ÉVITER UNE EXPOSITION AUX MICRO-ONDES" spécifiques figurant à la page 6.
- Cet appareil doit être mis à la terre. Connectez uniquement à prise de terre. Voir les instructions de terre qui se trouvent à la page 8.
- Installer ou placer l'appareil conformément aux instructions d'installation fournies.
- Lors du nettoyage de surfaces de la porte et du four qui se réunit sur la porte de clôture, utiliser seulement, des savons doux et non abrasif ou de détergents avec une éponge ou un chiffon doux.
- Les liquides tels que l'eau, le café ou le thé peuvent être surchauffés au-delà du point d'ébullition sans sembler bouillir. Bouillonnement ou ébullition visible lorsque le récipient est retiré du four à micro-ondes ne sont pas toujours présents. CELA POURRAIT CAUSER DES LIQUIDES TRÈS CHAUDS DÉBORDEMENT lorsque le récipient est perturbé ou un UTENSIL est inséré dans le liquide.
- Certains produits comme les oeufs entiers et Conteneurs étanche (par exemple, pots de verre fermés) peuvent exploser et ne devraient pas être réchauffés au micro-ondes.
- Utilisez ce four uniquement pour son usage prévu, comme décrit dans ce manuel.
- Ne pas utiliser de produits chimiques corrosifs dans cet appareil. Ce type de four est spécifiquement conçu pour chauffer, cuire ou sécher des aliments. Il n'a pas été conçu pour un usage industriel ou de laboratoire.
- Comme pour tout appareil, une surveillance étroite est nécessaire lorsqu'il est utilisé par les enfants.
- Ne pas faire fonctionner ce four si elle a un cordon ou une fiche endommagé, si elle ne fonctionne pas correctement, ou si elle a été endommagé ou est tombé.
- Pour réduire le risque d'incendie dans la cavité du four:
 - Ne pas trop cuire les aliments. Surveiller attentivement four micro-ondes si papier, plastique, ou de matériaux combustibles sont placés à l'intérieur du four pour faciliter la cuisson.
 - Retirer les attaches de sacs avant de les placer dans le four.
 - Si les matériaux à l'intérieur du four prennent feu, garder la porte du four fermée, éteindre le four à l'interrupteur mural, ou coupez le courant au panneau de fusibles ou des disjoncteurs.
 - Ne pas utiliser la cavité à des fins de stockage. Ne laissez pas de produits en papier, ustensiles de cuisine, ou de la nourriture dans la cavité lorsqu'il ne sert pas.
- Seul le personnel d'entretien qualifié doit réparer cet appareil. Contactez le centre de service autorisé pour examen, réparation ou réglage.
- Ne pas couvrir ou bloquer les ouvertures de cet appareil.
- Ne pas utiliser ce four pour chauffer des produits chimiques corrosifs (par exemple, les sulfures et chlorures). Les vapeurs de ces produits chimiques corrosifs peuvent interagir avec le contact et les ressorts de la chaîne de sécurité des commutateurs les rendant ainsi inutilisable.
- Ne pas immerger le cordon ou la fiche dans l'eau.
- Éloignez le cordon des surfaces chauffées.
- Ne pas laisser le cordon pendre de la table ou du comptoir.
- Jamais pièces d'appareils de nettoyage avec des liquides inflammables. Les émanations peuvent provoquer un risque d'incendie ou d'explosion.
- Ne pas stocker ou utiliser de l'essence ou d'autres vapeurs et liquides inflammables à proximité de cet appareil ou de tout autre appareil. Les émanations peuvent provoquer un risque d'incendie ou d'explosion.
- Ne stockez pas cet appareil à l'extérieur. Ne pas utiliser ce produit près de l'eau - par exemple près d'un évier de cuisine, dans un sous-sol humide, près d'une piscine, ou des endroits similaires

-GARDE CES CONSIGNES

INSTRUCTIONS D'INSTALLATION

Ø AVANT D'UTILISER VOTRE MICRO-ONDES

- Retirer l'emballage extérieur et intérieur.
- Vérifiez que vous disposez de tous les éléments suivants:
 - Plateau en verre
 - Assemblée Roller Platine (rouleaux ou Ring)
 - Manuel d'instructions
- Inspectez le four après le déballage de tout dommage visuel tels que:
 - Misaligned porte
 - Porte endommagée
 - Dents ou des trous dans la fenêtre de porte et écran
 - Dents dans la cavité

Si tout ce qui précède est visible, ne pas utiliser le four.

Ø INSTALLATION DE VOTRE MICRO-ONDES

- Lors du positionnement du four à micro-ondes, il doit être réglé sur une surface plane et stable.
- Ne pas bloquer les événements. Si elles sont bloquées pendant le fonctionnement, le four peut surchauffer et éventuellement causer l'échec du four.
- Réception de la télévision pauvres et des interférences radio peuvent survenir si le four est situé à proximité d'une TV, radio, antenne, ou le fil de l'antenne. Placez le four aussi loin d'eux que possible.
- Nettoyer la surface intérieure avec de l'eau tiède avec un chiffon doux.
- Gardez le four loin de l'air chaud, de la vapeur ou de liquides éclaboussures lors du choix d'un endroit pour localiser, sinon, le fonctionnement de l'appareil peut être affecté, l'amenant à se décomposer.
- Lumière directe du soleil peut affecter le revêtement acrylique et sources de chaleur peut augmenter la consommation électrique.
- Branchez l'appareil dans une prise murale correctement installée à la terre exclusive. Ne pas en aucun cas réduire ou supprimer le troisième pôle (terre) du cordon d'alimentation. Toute question concernant la puissance et de terre ou doivent être adressées à un électricien certifié ou un centre de service autorisé de produits Avanti.
- NE JAMAIS rien placer sur le dessus du four.
- Gardez le four au moins 5 pouces de deux flancs et loin de paroi arrière pour assurer la ventilation adéquate.
- NE PAS retirer l'arbre d'entraînement table tournante.

Ø PRÉCAUTIONS DE SÉCURITÉ

PRÉCAUTIONS POUR ÉVITER UNE EXPOSITION AUX MICRO-ONDES

- A. Ne tentez pas de faire fonctionner ce four avec la porte ouverte car le fonctionnement de la porte ouverte peut entraîner une exposition dangereuse à l'énergie micro-ondes. Il est important de ne pas entraver le fonctionnement des verrous de sécurité.
- B. Ne placez aucun objet entre la face avant du four et la porte ou permettent sol ou de résidus de nettoyage accumuler sur les surfaces d'étanchéité.
- C. Ne pas faire fonctionner le four si elle est endommagée. Il est particulièrement important que la porte du four ferme correctement et qu'il n'y a aucun dommage à la: (1) la porte (tordue), (2) charnières et verrous (brisés ou desserrés), (3) Joints de porte et surfaces d'étanchéité.
- D. Le four ne doit pas être réglé ou réparé par quiconque, sauf au personnel de service qualifié.

Usade général

- NE PAS tenter de falsifier ou de faire des ajustements ou des réparations à porte, panneau de contrôle ou toute autre partie du four. Ne pas enlever le panneau extérieur du four. Les réparations ne doivent être effectuées par du personnel qualifié.
- NE PAS faire fonctionner le four à vide. L'énergie des micro-ondes pourraient se propager partout le four si aucune nourriture ou l'eau est présente à absorber l'énergie.
- Si un incendie se produit dans le four, appuyer sur la touche START / STOP et de laisser la porte fermée. Débranchez le cordon d'alimentation, ou coupez le courant au panneau de fusibles ou des disjoncteurs.
- NE PAS tenter de sécher des vêtements, des journaux ou d'autres matériaux dans le four. Ils peuvent prendre feu.
- NE PAS utiliser des produits de papier recyclé, car ils peuvent contenir des impuretés, qui peuvent provoquer des étincelles et / ou des incendies lorsqu'ils sont utilisés.
- NE PAS frapper ou frapper panneau de commande. Dommages à des contrôles peut se produire.

Ustensiles

- Récipients métalliques ou des plats avec des jantes métalliques ne doivent pas être utilisés. Arc électrique peut survenir.
 - Attaches métalliques ne peuvent être utilisés dans le four à micro-ondes.
 - NE PAS utiliser des bocaux scellés ou Flacons à col étroit pour cuire ou réchauffer. Ils peuvent se briser.
 - NE PAS utiliser Les thermomètres conventionnels dans le four à micro-ondes. Ils peuvent provoquer des étincelles. Utilisez uniquement ceux marqués "Micro-onde Coffre" et suivez toutes les directions. Vérifiez la nourriture dans plusieurs endroits.
 - Retirer emballages plastiques MAGASIN avant la cuisson ou la décongélation dans le four.
- CONSEILLÉ
- Micro-ondes plat de brunissement - Utiliser à l'extérieur brune de petits objets tels que des steaks, côtelettes ou les crêpes. Suivez les instructions fournies avec votre plat de brunissement.
 - Pellicule de plastique au micro-ondes - Utilisez pour retenir la vapeur. Laissez une petite ouverture pour un peu de vapeur d'échapper et éviter de le placer directement sur la nourriture.
 - Les serviettes de papier et serviettes - Utilisez pour le chauffage à court terme et de couverture; ceux-ci absorbent l'excès d'humidité et éviter les éclaboussures. Ne pas utiliser des serviettes en papier recyclé, qui peuvent contenir des métaux et pourrait enflammer.

Aliments

- Ne jamais utiliser votre four à micro-ondes pour HOME Canning. Le four n'a pas été conçu pour permettre la mise en conserve bon. Mal conserve peuvent gâcher et être dangereux à consommer.
- Temps de cuisson sont approximatifs. Les facteurs qui peuvent affecter la cuisson commencent température, l'altitude, le volume, la taille et la forme de nourriture et les ustensiles utilisés. Comme vous familiariser avec le four, vous serez en mesure de tenir compte de ces facteurs.
- Il est préférable de CUIRE aliments PLUTÔT QUE cuire. Si la nourriture est cuit, il peut toujours être retourné au four pour une cuisson ultérieure. Si la nourriture est trop cuit, rien ne peut être fait. Toujours commencer avec des temps de cuisson minimum.
- Petites quantités de nourriture ou des aliments avec faible teneur en humidité peuvent brûler, sécher ou prendre feu si elle est cuite trop longtemps.
- Ne pas faire bouillir les œufs dans leur coquille. La pression peut s'accumuler et les œufs va exploser.
- Pommes de terre, les pommes, les jaunes d'œufs, courge poivrée ensemble et saucisses sont des exemples d'aliments avec PEAU POREUSE. Ceux-ci doivent être percés avant la cuisson pour empêcher l'éclatement.
- POP-CORN doit être sauté dans un popper micro-ondes de maïs. Micro-ondes maïs éclaté un rendement inférieur à popping conventionnelle. NE PAS utiliser le four pour pop-corn à moins sauté dans un micro-ondes pop-corn approuvé ustensile ou sauf si elle est commercialement emballé et particulièrement recommandé pour les fours à micro-ondes. NE PAS utiliser de l'huile sauf si spécifié par le fabricant.
- NE PAS tenter de faire de la friture dans votre four.
- Les liquides chauffés peuvent éclater si non mélangé à l'air. NE PAS chauffer les liquides dans votre four à micro-ondes sans d'abord agitation.

Ø CONNEXION ÉLECTRIQUE

INSTRUCTIONS DE MISE

Cet appareil doit être mis à la terre. Dans le cas d'un court-circuit électrique, la terre réduit le risque de choc électrique en fournissant un fil de fuite pour le courant électrique. Cet appareil est équipé d'un cordon muni d'un fil de terre avec une fiche de terre. La fiche doit être branchée dans une prise correctement installée et mise à la terre.

~ Attention ~

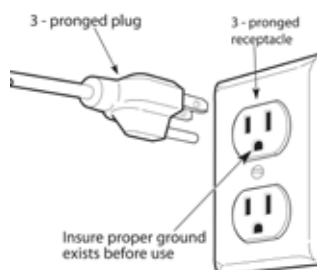
Une mauvaise utilisation de la prise de terre peut entraîner un risque de choc électrique. Consultez un électricien ou personne service qualifié si les instructions de mise à la terre ne sont pas complètement comprises ou en cas de doute quant à savoir si l'appareil est correctement mis à la

Le cordon d'alimentation de cet appareil est équipé d'une fiche à trois broches qui coopère avec la norme trois prises murales broches afin de minimiser le risque de choc électrique.

Ne pas en aucun cas couper ou enlever la troisième broche de terre du cordon d'alimentation fourni.

Ne pas utiliser la rallonge. Si le cordon d'alimentation est trop court, demandez à un électricien ou un réparateur qualifié pour installer une prise près de l'appareil.

Cet appareil nécessite une prise électrique 115/120 Volts AC ~ / 60Hz standard avec terre à trois broches.



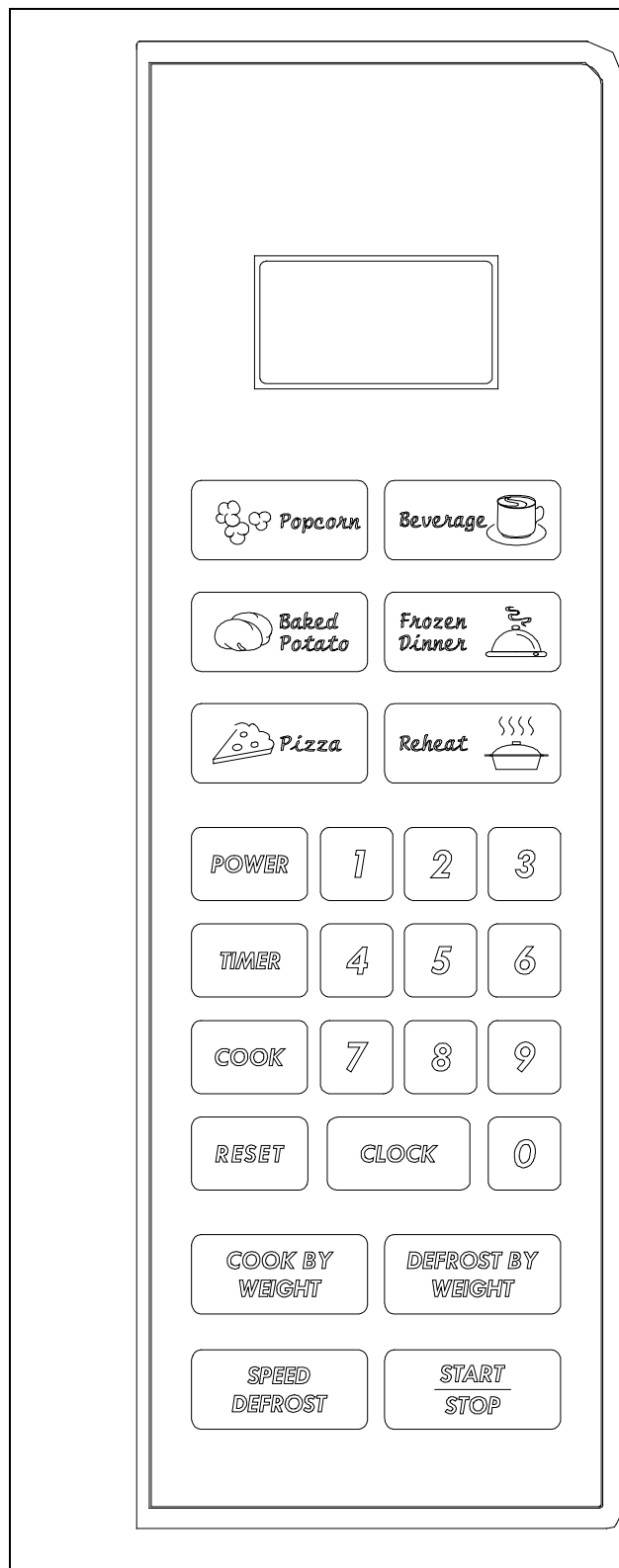
Le cordon doit être fixé derrière l'appareil et non laissés exposés ou qui pendent pour éviter les blessures accidentelles.

FONCTIONNEMENT DU FOUR

Bien que votre four est fourni avec des fonctionnalités de sécurité, il est important de respecter les consignes suivantes:

- Il est important de ne pas entraver le fonctionnement de verrouillage de sécurité.
- Ne placez aucun objet entre la face avant du four et la porte ou laissez aucun résidu à accumuler sur les surfaces d'étanchéité. Essuyez la zone d'étanchéité fréquemment avec un détergent doux, rincez et essuyez. Ne jamais utiliser de poudres ou de boutons abrasifs.
- Lorsqu'il est ouvert, la porte ne doit pas être soumise à des contraintes, par exemple, un enfant accroché à une porte ouverte ou toute charge qui pourrait entraîner la chute du four avant et causer des blessures et endommager la porte. Ne pas faire fonctionner le four si elle est endommagée, jusqu'à ce qu'il ait été réparé par une personne qualifiée. Il est particulièrement important que le four ferme correctement et qu'il n'y a aucun dommage à la:
 - La porte (tordue)
 - Charnières et les loquets (brisés ou desserrés)
 - Joints de porte et surfaces d'étanchéité
- Le four ne doit pas être réglé ou réparé par quiconque, sauf au personnel de service qualifié.

PANNEAU DE CONTRÔLE



L'UNITÉ

Pré-programmé Modes de cuisson
Pomme de terre au four
Popcorn
Pizza
Boisson
Dîner Frozen
Réchauffer
Cuisson par poids
Décongeler par poids
Vitesse de dégivrage
Horloge: 12 heures
Minuterie de cuisine

CARACTERISTIQUES DE L'UNITÉ

Consommation d'énergie:	~ 120V 60Hz, 1050W
Sortie (Watts):	700W
Fréquence de fonctionnement:	2450MHz
Unité Dimensions (LxHxP):	10 5/16 x 17 x 14 13/16 3/16
Four Dimensions de la cavité (H x L x P):	811/16 x 123/8 x119 / 16
Capacité du four:	0,8 cu. Ft.
Cuisson Uniformité:	Plaque tournante
Poids net:	Env. 23 Lbs

PANNEAU DE FONCTION	LA DESCRIPTION
AFFICHER	Affichage électronique montre Temps de cuisson, Puissance de cuisson, le temps restant dans le cycle de cuisson et le temps présent.
Pré-programmé Modes de cuisson	POMME DE TERRE AU FOUR BOISSON MAÏS SOUFFLÉ REPAS CONGELÉ RÉCHAUFFER PIZZA Permettez-vous de réchauffer ou cuire les aliments sans entrer automatiquement le niveau de puissance ou de temps.
DU POUVOIR	Utilisez pour régler le niveau de puissance
DÉGIVRER EN POIDS	Touchez pour régler le poids de l'aliment à décongeler. Le four règle automatiquement le temps de décongélation et le niveau de puissance.
SPEED DEFROST	Touchez pour régler le temps de dégivrage. Le four divise automatiquement le temps de décongélation en périodes de dégivrage alternatif et reposer fois par le vélo sur et en dehors.
MINUTEUR	Vous pouvez utiliser la fonction de minuterie de façon indépendante, même si un programme de cuisson qui se passe dans le four.
Touches numériques (0-9)	Touchez pour régler les temps ou les montants.
HORLOGE	Touchez pour régler l'horloge.
RÉINITIALISER	Efface tous les réglages précédents si vous les touchez avant la cuisson commence.
COMMENCER ARRÊTER	Touchez pour lancer ou arrêter la cuisson.

Ø **PROCÉDURE D'OPÉRATION:**

- **Branchez le cordon d'alimentation dans une prise standard Amps 3 fronts, 15 120 volts AC ~ / 60Hz.**
- **Après avoir placé la nourriture dans un récipient approprié, ouvrir la porte du four et le mettre sur le plateau en verre. Le plateau en verre et le guide de rouleau doivent toujours être en place pendant la cuisson.**
- **Ferme la porte. Assurez-vous qu'il est bien fermé.**
- La porte du four peut être ouvert à tout moment pendant le fonctionnement en tirant sur la poignée de porte.
- Le four se met automatiquement hors tension. Pour redémarrer le four, fermez la porte et appuyez sur START / STOP.
- Chaque fois qu'un pad est touché, un signal sonore retentit à reconnaître au toucher. Un des boutons de fonction doit être touché avant que les touches numériques. Deux bips indiquent le four n'a pas accepter l'entrée, vérifier et essayer à nouveau.
- Le four cuit automatiquement la puissance maximale et dégivre à faible puissance.
- Lorsque le four est branché pour la première l'écran affiche un solin " : ", si tu préfères pas de ont l'horloge affiché, touchez réinitialiser ou attendez 15 secondes.
- Quand le pad START / STOP est touché au cours de l'utilisation du four, le four arrête la cuisson. Si la porte du four est ouverte pendant le fonctionnement du four, toute l'information est conservée.
- Si le bouton / STOP START est touché et le four ne fonctionne pas, vérifiez la zone entre le joint de porte et des obstructions et vérifiez que la porte est bien fermée. Le four ne sera pas commencer la cuisson jusqu'à ce que la porte est complètement fermée et le programme a été défini.

Ø **CARACTÉRISTIQUES FOUR SPÉCIAL**

SPEED DEFROST: Utilisé pour décongeler les aliments congelés par le temps.

Ce cycle commence à moyenne - haute puissance, ensuite automatiquement réduit à moyen - bas et puis de bas que les dégels alimentaires. SPEED DEFROST voyant et cuire témoin lumineux à la fois venue pendant le cycle de dégivrage.

MINUTEUR: Utilisez pour chronométrer les choses sans les fonctions du four. Un long bip sonore retentit à la fin du temps écoulé.

AUTO TIMER: Après un dégivrage ou PROGRAM Cook a achevé, le four sera automatiquement continuera de sonner quatre bips toutes les deux minutes jusqu'à ce que la porte est ouverte ou le pavé RESET est touché.

Sécurité enfants: Utilisez pour empêcher le fonctionnement du four sans surveillance par des enfants. L'indicateur VERROU PREUVE DE L'ENFANT sera allumé sur l'affichage et le four ne peut pas être utilisé pendant que le verrou enfant EPREUVE est sélectionné.

RÉGLAGE VERROUILLAGE ENFANT: Pour régler, appuyez Maintenez le bouton RESET pendant 3 secondes. LOCK est indiqué sur l'écran. Pour annuler, appuyez Maintenez le bouton RESET pendant 3 secondes. Indication de verrouillage disparaît.

MINUTEUR: Utilisez pour régler le temps de cuisson. Vous permet de définir jusqu'à 99 minutes et 99 secondes

RÉINITIALISER: Touchez pour annuler le niveau de puissance sélectionné, cuisiner ou décongeler fois précédemment programmés. Le temps de l'horloge journalière est pas annulé.

COMMENCER ARRÊTER: Touchez pour lancer le dégivrage ou cuire programmes. L'indicateur de cuisson lumière et la lumière du four viendront et que le ventilateur de refroidissement fonctionnent.

NOTE: FIN DE exploitation- L'écran affichera "END".

- Quatre bips retentissent, le voyant de cuisinier sortir et se montrer "FIN" sur la fenêtre d'affichage jusqu'à ce que la porte est ouverte et l'heure de la journée sera de retour à la fenêtre d'affichage. La lumière et la cuisine ventilateur du four sera éteint.
- Le four sera automatiquement continuera de sonner quatre bips toutes les deux minutes jusqu'à ce que la porte est ouverte ou le pavé RESET est touché.

NOTE: Pour interrompre l'opération -Ouvrez la porte du four.

- Le four arrête immédiatement.
- Si aucune autre cuisson est nécessaire, appuyer sur la touche RESET.
- Pour poursuivre la cuisson, fermez la porte du four et appuyer sur la touche START / STOP. Le four va redémarrer.

Comment configurer la commandes du four	
SIGNAUX SONORES Pendant les réglages FOUR	UN SIGNAL: Four accepte l'entrée. Deux signaux: Four ne pas accepter l'entrée, vérifier et essayer à nouveau.

RÉGLAGE DE L'HORLOGE	RÉGLAGE DE LA MINUTERIE FOUR
<ol style="list-style-type: none">1. Touchez CLOCK. Ceci est une horloge de 12 heures.2. Utilisez les touches numériques pour saisir l'heure correcte. Si vous avez sélectionné 12 système de l'heure d'horloge, l'horloge numérique vous permet de définir 01 heures 00-12:59. Vous devez toucher au moins trois chiffres pour régler l'horloge (un pour l'heure et deux pour les minutes).3. Appuyez de nouveau sur CLOCK. <p>REMARQUE: Lorsque le four est branché pour la première ou lorsque l'alimentation est rétablie après une coupure de courant, l'écran affiche un solin " : » : ». Si vous préférez ne pas avoir l'horloge affichée, touchez Réinitialiser.</p> <p>Vous pouvez vérifier le temps d'horloge pendant la cuisson est en cours en appuyant sur la touche CLOCK.</p>	<ol style="list-style-type: none">1. Touchez TIMER.2. Saisissez le montant de temps en touchant les touches numériques. Temps de Digit est en minutes et secondes et jeu de gauche à droite. Définir un chiffre (5 pour 5 secondes) ou jusqu'à quatre chiffres (2405 pour 24 minutes, 5 secondes).3. Touchez START / STOP. <p>NOTE: Le temps compte à rebours peut être vu dans l'affichage pendant 3 secondes avant de l'horloge ou le temps de cuisson est retourné à afficher.</p> <p>Touchez TIMER puis appuyez sur RESET pour annuler la minuterie pendant le processus de synchronisation.</p>

INFORMATIONS IMPORTANTES SUR LA FONCTION MICRO-ONDES POPCORN
<ul style="list-style-type: none">• Pour popcorn micro-ondes "POP" de manière uniforme et pour éviter de brûler, le sac doit être capable de tourner librement à l'intérieur du four pendant la cuisson.• Certaines marques de sacs de pop-corn micro-ondes sont plus grandes que d'autres et ces sacs plus grands peuvent se retrouver coincés à l'intérieur du four dans une position même si le plateau tourne correctement. Cela se traduira par une cuisson inégale ou brûlure de la pop-corn.• Pour éviter cela, s'il vous plaît regarder le sac jusqu'à ce que popping est terminée. Si le sac est coincé et ne tourne pas, ouvrir la porte, repositionner le sac et redémarrer le four. <p>** Prudence **</p> <p>Utilisez un gant de cuisine ou une poignée lors du déplacement du sac, car le contenu peut être très chaud.</p> <p>** Le bouton tactile POPCORN sur cette micro-ondes est conçu pour une utilisation avec trois tailles différentes de sacs de maïs soufflé. Voir les instructions pour une utilisation correcte.</p> <p>Pour de meilleurs résultats, nous recommandez que vous suivez toutes les instructions et les temps de cuisson, comme indiqué sur l'emballage fourni avec votre pop-corn.</p> <p>** NE PAS maïs soufflé dans le four micro-ondes, sauf dans un accessoire spécial micro-ondes pop-corn ou si vous utilisez popcorn marqué spécifiquement pour une utilisation dans des fours à micro-ondes.</p>

RÉGLAGE UN PROGRAMME DE CUISSON

A. cuisson en une étape

- Utilisez les touches numériques pour régler un temps de cuisson. Vous pouvez définir un temps de cuisson d'une seconde à 99 minutes et 99 secondes.
- Si vous souhaitez définir un niveau de puissance autre que 100% de puissance, touchez PUISSANCE, puis utilisez les touches numériques pour entrer le niveau de puissance. Vous pouvez régler le niveau d'alimentation de 1 à 9. Utilisez un seul chiffre pour définir un niveau de puissance de cuisson:

Pavé numérique	Puissance de cuisson
9	90%
8	80%
7	70%
6	60%
5	50%
4	40%
3	30%
2	20%
1	10%

- Touchez START / STOP pour commencer la cuisson.

B. multi-étapes de cuisson

Pour plus de commodité votre four offre la possibilité de fonctionner dans un "Multi-étape" cycle de cuisson. Chaque cycle ou le stade peut être réglé avec un temps de cuisson et separe ou niveau de puissance.

- Pour régler le four de cuisson dans le modèle multi-étape, il suffit de définir le temps et le niveau du premier étage de puissance (comme décrit dans la section cuisson en une étape vers la gauche).
- Pour définir la deuxième étape de cuisson, appuyez sur la touche COOK ("MEM" apparaîtra dans la fenêtre d'affichage).
- Sélectionnez le temps de cuisson désiré et le niveau de puissance pour la deuxième étape.
- Appuyez "Démarrer" pour commencer le processus de cuisson.

NOTE:

- Après l'étape de cuisson 1 est écoulé, vous entendrez un "bip", signalant le début de l'étape 2. Après le temps total (temps de cuisson sélectionnés pour les deux étapes) sonores se sont écoulées, 4 "bips" retentit et "FIN" apparaîtra dans la fenêtre d'affichage. Touchez "RÉINITIALISER" touche ou ouvrir la porte du four pour effacer ou terminer le programme de cuisson avant de commencer une autre fonction de cuisson.

VITESSE DE DÉGIVRAGE

- Speed Touch dégivrage.
- Entrez le temps de dégivrage souhaitée par des touches de chiffres corrects. Minuterie numérique définit minutes et secondes de gauche à droite donc un seul chiffre peut être réglé (5 pour 5 secondes) ou jusqu'à 4 chiffres (2 405 pour 24 minutes 5 secondes).
- Touchez START / STOP.

NOTE:

Après le temps est écoulé quatre signaux sonore et END apparaît à l'écran. Pad RESET tactile ou une porte ouverte pour effacer FIN avant de commencer une autre fonction de cuisson. Pendant le programme de dégivrage, le système se met en pause et le son des bips de rappeler à l'utilisateur de retourner les aliments, puis appuyez sur START / STOP pour reprendre la décongélation.

DÉCONGELER PAR POIDS

- Touchez la décongélation par PESERT bouton.
- Entrez le poids.
- Touchez START / STOP.

Note:

Le poids doit être en livres et en onces.
Poids Ounce moins de 10 doit être précédée par un 0. Si l'étiquette donne le poids en livres seulement, changer la fraction du livre en onces en utilisant le tableau suivant (voir page 14).

CUIRE PAR POIDS

- Appuyer sur COOK PAR PESERT.
- Entrez le code à un chiffre en touchant le nombre correct (1 ~ 3) bouton.
- Entrez le poids.
- Touchez START / STOP.

Cuire Par Poids Code description

CODE	TYPE	MAX POIDS
1	Du boeuf	5 lb.16 oz.
2	Viande de mouton	5 lb.16 oz.
3	Porc	5 lb.125 grammes.

Note:

Le poids doit être en livres et en onces.
Pour les poids de moins de 10 onces, vous devez faire précéder le numéro avec un 0.. Si l'étiquette donne le poids en livres seulement, changer la fraction du livre en onces en utilisant le tableau suivant (voir page 14).

CUISINIER RAPIDE (PRÉ-PROGRAMMÉE) PARAMÈTRES

Les paramètres QUICK COOK vous permettent de cuire ou réchauffer des aliments sans entrer automatiquement le niveau de puissance ou de temps.

Pour de plus petites portions, il suffit de toucher le pad applicable et commencer. Pour de plus grandes portions, appuyez deux fois sur le pavé.

Repas congelé, cuit pomme de terre et BOISSONS vous permettent de cuire plusieurs quantités de la même nourriture. Il suffit de toucher pad une fois, et ENTRER AMT

MAÏS SOUFFLÉ

1. Touchez POPCORN.
2. Appuyez sur le numéro approprié pour la taille du sac comme indiqué ci-dessous.

	Taille du sac	Temps de cuisson
1	1,2 oz	1 minute. 40 sec.
2	3,0 oz	2 min. 35 sec.
3	3,5 oz	3 min. 00 sec.

3. Touchez START / STOP.

Pour de meilleurs résultats nous recommandons que vous suivez toutes les instructions et les temps de cuisson, comme indiqué sur l'emballage du pop-corn.

POMME DE TERRE AU FOUR

Pour 4 à 6 oz. les pommes de terres:

1. Touchez pomme de terre cuite fois.
2. Entrez le nombre de pommes de terre par des touches de chiffres de 1 à 4. Les temps de cuisson pour les petites et moyennes pommes de terre sont comme suit:

1 pomme de terre	4 min. 00 sec.
2 pommes de terre	6 min. 30 sec.
3 pommes de terre	9 min. 00 sec.
4 pommes de terre	13 min. 00 sec.

3. Touchez START / STOP.

PIZZA

Réchauffer une tranche (ou deux les minces) de pizza:

1. Touchez PIZZA fois.
2. CODE et 1:40 (1 minute et 40 sec.) apparaît.
3. Touchez START / STOP.

Chauffage toute une pizza congelée:

4. Touchez deux fois PIZZA.
5. CODE et 5:00 (5 minUtes.) Apparaît.
6. Touchez START / STOP.

Pour la grande 8 à 10 oz. les pommes de terres:

1. Touche CUIT POMME DE TERRE deux fois.
2. Entrez le nombre de pommes de terre par des touches de chiffres de 1 à 4. Les temps de cuisson pour les pommes de terre sont grandes comme suit:

1 pomme de terre	6 min. 00 sec.
2 pommes de terre	9 min. 20 sec.
3 pommes de terre	13 min. 20 sec.
4 pommes de terre	16 min. 30 sec.

3. Touchez START / STOP.

BOISSON

Pour 5 à 7 oz. tasses de café:

1. Touchez BOISSON fois.
2. Entrez le nombre de tasses par des touches de chiffres de 1 à 4. Les temps de cuisson sont les suivantes:

1 tasse.	1 minute. 30 sec
2 tasses.	2 min. 50 sec
3 tasses.	4 min. 10 sec
4 tasses.	5 min. 30 sec

3. Touchez START / STOP.

Pour la plus grande 9 à 11 oz. tasses à café:

4. Touchez deux fois BOISSON.
5. Entrez le nombre de tasses par des touches de chiffres de 1 à 4. Les temps de cuisson sont les suivantes:

1 tasse	2 min. 40 sec.
2 tasses	4 min. 50 sec.
3 tasses	6 min. 20 sec.
4 tasses	7 min. 40 sec.

6. Touchez START / STOP.

Repas congelé

Pour une ou deux petites (7-9 . oz) congelés dîners:

1. Touchez repas congelé une fois.
2. Pour une entrée, il suffit de toucher START / STOP. Pour 2 entrées, appuyer sur la touche de chiffre "2". Les temps de cuisson pour les plats de petite taille sont les suivantes:

1 entrée	7 min. 00 sec
2 entrées	11 min. 00 sec

3. Touchez START / STOP.

Microwaving une grande (10-12 . le dîner oz) gelé:

4. Touchez deux fois repas congelé.
5. Pour une entrée, il suffit de toucher START / STOP. Pour 2 entrées, appuyer sur la touche de chiffre "2". Temps de cuisson pour les grandes entrées sont comme suit:

1 entrée	8 min. 30 seconde.
2 entrées	13 min. 00 seconde.

6. Touchez START / STOP.

RÉCHAUFFER

1. REHEAT tactile et
2. CODE et 4:10 (4 minutes.10 sec) Apparaît.
3. Touchez START / STOP.

Remarque: placer dans un plat ou un bol légèrement plus grand que le montant indiqué. Continuer à chauffer à puissance variable et l'heure si à la fin de capteur réchauffer la nourriture est pas suffisamment chaud.

NOTE:

Ce réglage vous permet de réchauffer un dîner assiette de restes réfrigérés avec une bonne résultats.

Conversion de fractions de livre en Onces

Fractions de livre	Onces
Moins de 0,03	0
0,03 à 0,09	1
0,10 à 0,15	2
0,16 à 0,21	3
0,22 au 0,27	4
0,28 à 0,34	5
0,35 à 0,40	6
0,41 à 0,46	7
0,47 à 0,53	8
0,54 à 0,59	9
0,60 à 0,65	10
De 0,66 à 0,71	11
0,72 à 0,78	12
0,79 au 0,84	13
0,85 à 0,90	14
0,91 à 0,97	15
dessus de 0,97	passer à la prochaine même

Le poids maximum pour le dégivrage est de 6 lbs. Retournez les aliments lorsque le four signaux deux fois. Touchez START / STOP pour reprendre la décongélation.

Après un temps de décongélation totale, 4 des signaux sonores et END apparaît à l'écran. Touchez RESET ou ouvrir la porte du four pour effacer FIN avant de commencer une autre fonction de cuisson.

Ø **LES TECHNIQUES DE CUISSON**

Votre micro-ondes rend la cuisine plus facile que la cuisson traditionnelle, à condition de conserver ces considérations à l'esprit.

En remuant

Remuez comme les casseroles et les légumes pendant la cuisson pour répartir la chaleur uniformément. La nourriture à l'extérieur du plat absorbe plus d'énergie et chauffe plus rapidement, de sorte remuer de l'extérieur vers le centre. Le four se met hors tension lorsque vous ouvrez la porte à remuer votre nourriture.

Arrangement

Disposez les aliments de forme irrégulière, tels que des morceaux de poulet ou des côtelettes, avec les partie la plus épaisse vers l'extérieur du plateau où ils reçoivent plus d'énergie à micro-ondes. Pour éviter de trop cuire, placer les zones délicates, comme les pointes d'asperges, vers le centre du plateau tournant.

Tournant

Tournez aliments plus à mi-cuisson pour exposer toutes les parties à l'énergie des micro-ondes. Cela est particulièrement important avec de grandes aliments tels que des rôtis.

Permanent

Les aliments cuits au micro-ondes accumulent la chaleur interne et poursuivre la cuisson pendant quelques minutes après l'arrêt de chauffage. Laissez reposer les aliments pour terminer la cuisson, en particulier les aliments tels que les gâteaux et les légumes entiers. Rôtis ont besoin de ce temps pour terminer la cuisson dans le centre sans trop cuire les zones extérieures. Tous les liquides, comme la soupe ou un chocolat chaud, devraient être secoué ou agité lors de la cuisson est terminée. Laissez les liquides reposer un moment avant de servir. Lors du chauffage des aliments pour bébé, bien mélanger à l'enlèvement et de tester la température avant de servir.

Ajouter de l'humidité

Énergie micro-ondes est attirée par les molécules d'eau. La nourriture qui est inégale teneur en humidité devrait être couvert ou laissé au repos afin que la chaleur se disperse uniformément. Ajouter une petite quantité d'eau à la nourriture sèche pour les aider à cuire.

Ø AUXILLIARY CONVIENCE PRISE DE COURANT

Le four est équipé d'une prise de courant "auxiliaire" situé à l'arrière de l'appareil.

La sortie a été conçu pour économiser de l'espace GIVING vous la sortie "extra" de connecter de petits appareils de comptoir tels que cafetière, grille-pain, etc en un seul endroit.

- Lorsque le micro-onde est utilisée, l'appareil relié à la sortie "auxiliaire" de puissance est désactivé jusqu'à ce que la micro-onde est hors d'usage.
- Une fois la micro-onde est hors d'usage, l'énergie électrique sera fourni à la prise de courant "auxiliaire" et l'appareil reprend son fonctionnement normal.

Utilisez cette prise lorsque cela est nécessaire et débranchez tous les appareils lorsqu'ils ne sont pas en cours d'utilisation.

SOINS ET ENTRETIEN

Ø NETTOYAGE DE VOTRE APPAREIL

- Éteindre le four et retirez la fiche d'alimentation de la prise murale avant de le nettoyer.
- Gardez l'intérieur du four propre. Lorsque éclaboussures de nourriture ou des liquides déversés adhèrent aux parois du four, essuyez avec un chiffon humide. Détergent doux peut être utilisé si le four est très sale. L'utilisation de détergents abrasifs ou est déconseillée.
- Les surfaces du four à l'extérieur doivent être nettoyées avec un chiffon humide. Pour éviter d'endommager les pièces fonctionnant à l'intérieur du four, l'eau ne devrait pas être autorisé à pénétrer dans les ouvertures de ventilation.
- Ne laissez pas le panneau de contrôle de devenir mouillé. Nettoyez-les avec un chiffon doux et humide. Ne pas utiliser de détergents, abrasifs ou pulvérisation sur les nettoyeurs sur le panneau de commande. Lors du nettoyage du panneau de commande, laissez la porte du four ouverte pour éviter four d'allumer accidentellement.
- Si accumulation de vapeur ou à l'extérieur de la porte du four, essuyez avec un chiffon doux. Cela peut se produire lorsque le four à micro-ondes fonctionne dans des conditions de forte humidité et nullement indique un dysfonctionnement de l'appareil.
- Il est parfois nécessaire de retirer le plateau de verre pour le nettoyage. Lavez le plateau dans de l'eau chaude savonneuse ou dans un lave-vaisselle.
- La bague de rouleau et la sole du four doivent être nettoyés régulièrement pour éviter le bruit excessif. Il suffit d'essuyer la surface du fond du four avec un détergent doux, de l'eau ou de nettoyant pour vitres et sec. La bague de rouleau peut être lavé à l'eau douce savonneuse ou lave-vaisselle. Vapeurs de cuisson recueillent lors d'utilisations répétées, mais en aucun cas affecter les roues de surface ou en anneau de rouleau de fond. Lors du retrait de l'anneau de roulement de plancher de la cavité pour le nettoyage, assurez-vous de le remplacer dans la bonne position.
- Éliminer les odeurs de votre four en combinant une tasse d'eau avec le jus et la peau d'un citron dans un bol au micro-ondes profonde. Micro-ondes pendant 5 minutes. Essuyez soigneusement et séchez avec un chiffon doux.
- Quand il devient nécessaire de remplacer la lampe du four, s'il vous plaît consulter un concessionnaire pour le faire remplacer.

PROBLÈMES AVEC VOTRE APPAREIL?

Vous pouvez résoudre de nombreux problèmes de l'appareil commun facilement, vous épargnant le coût d'un appel de service possible. Essayez les suggestions ci-dessous pour voir si vous pouvez résoudre le problème avant d'appeler le réparateur.

GUIDE DE DÉPANNAGE

PROBLÈME	CAUSE POSSIBLE
L'appareil ne fonctionne pas.	Non branché. Le disjoncteur déclenché ou un fusible grillé. La porte est mal fermée.
La lumière ne fonctionne pas.	Le disjoncteur déclenché ou un fusible grillé. L'appareil est débranché. L'ampoule a brûlé (voir la section de maintenance pour la procédure de remplacement).
Les vibrations.	Vérifiez pour assurer que l'appareil est de niveau.

SERVICE POUR VOTRE APPAREIL

Nous sommes fiers de notre organisation de service à la clientèle et le réseau de techniciens de services professionnels qui offrent des services sur vos appareils Avanti. Avec l'achat de votre appareil Avanti, vous pouvez être sûr que si vous avez besoin d'informations supplémentaires ou d'aide, l'équipe de service à la clientèle Avanti produits seront là pour vous. Il suffit d'appeler le numéro sans frais.

AVANTI PRODUITS SERVICES CLIENTS

Information produit 800-323-5029	Quels que soient vos questions sont sur nos produits, l'aide est disponible.
Commandes de pièces 800-220-5570	Vous pouvez commander des pièces et accessoires qui seront livrés directement à votre domicile par chèque personnel, Mandat, Master Card, ou Visa.
In-Home Repair Service 800-220-5570	Un centre de service autorisé de produits Avanti fournira un service de réparation expert, prévue à un moment qui est commode pour vous. Nos réparateurs formés connaissent votre appareil intérieur et l'extérieur.

VOS PRODUITS AVANTI GARANTIE	Staple votre reçu d'achat ici. Preuve de la date d'achat originale est nécessaire pour obtenir un service sous garantie.
CE QUI EST COUVERT - GARANTIE LIMITÉE DE UN AN	
<p>Avanti Products garantit que le produit est exempt de défauts de matériaux et / ou de fabrication pour une période de douze (12) mois à compter de la date d'achat par le propriétaire initial. La période commence à courir à la date d'achat, et ne sera pas retardée, restreinte, prolongée ou suspendu pour quelque raison que ce soit, sauf si décrit en détail dans le document de garantie. Pendant un an à compter de la date d'achat par le propriétaire initial, produits Avanti, à sa discrétion, réparer ou remplacer toute pièce du produit qui se révèle défectueux dans le matériel ou de fabrication dans une utilisation normale. Avanti produits vous fournir un produit raisonnablement semblable nouveau ou remis à neuf. Pendant cette période Avanti Products fournira toutes les pièces et la main-d'œuvre nécessaires pour corriger ces défauts gratuitement, tant que le produit a été installé et exploité conformément aux instructions écrites dans ce manuel. En usage locatif ou commercial, la période de garantie est de 90 jours. Tous les appareils Avanti de 3,5 pieds cubes la capacité ou moins doivent être traduits / envoyé au centre de service de l'appareil pour réparation.</p>	
GARANTIE LIMITÉE DE DEUX ANS	
<p>Au cours de la deuxième année d'utilisation, Avanti Products fournira, au besoin une partie de remplacement sans frais en échange de toute pièce d'origine, qui échoue en raison d'un défaut de matériel ou de fabrication. Tous les frais de main-d'œuvre et de transport sont à la charge du consommateur.</p>	
GARANTIE LIMITÉE de sept ans	
<p>Pendant une période supplémentaire de 6 ans au-delà de la première année de la couverture générale de cette garantie, Avanti produits seront remplacer un tube magnétron, qui échoue en raison d'un défaut de matériel ou de fabrication. Tous les frais de main-d'œuvre et de transport sont à la charge du consommateur.</p>	
EXCLUSIONS DE LA GARANTIE / Ne sont pas couverts:	
<p>La couverture de la garantie décrite ici exclut tous les défauts ou les dommages qui ne sont pas la faute directe de Avanti produits, y compris, sans limitation, un ou plusieurs des éléments suivants:</p>	
<ul style="list-style-type: none"> · Un non-respect de tout État applicable, locale, ville, comté ou électriques, de plomberie et / ou des codes du bâtiment, des règlements ou des lois, y compris le défaut d'installer le produit en stricte conformité avec incendie et de construction des codes et règlements locaux. · Toutes les forces externes, élémentaires et / ou de l'environnement et des facteurs, y compris mais sans s'y limiter, la pluie, le vent, le sable, inondations, incendies, glissements de terrain, des températures glaciales, une humidité excessive ou exposition prolongée à l'humidité, de la foudre, surtensions, défaillances structurelles qui entourent l'appareil, et les actes de Dieu. 	
<ul style="list-style-type: none"> · Pertes contenu de la nourriture ou d'autres contenus dues au gaspillage. · Dommages indirects ou consécutifs · Pièces et coût du travail pour les suivantes ne seront pas considérées comme une garantie: <ul style="list-style-type: none"> · Panneaux intérieurs de portes, des étagères de porte, rails de portes, et / ou supports de porte. · Ampoules et / ou boîtier en plastique. · Revêtements de la caisse en plastique. · Perforé évaporateur qui annule la garantie sur le système étanche complète. · Les frais de transport et de manutention associés au remplacement de l'unité. · Réparations effectués par un préposé non autorisés. 	<ul style="list-style-type: none"> · Les appels de service qui sont liés à des problèmes externes, tels que l'abus, l'alimentation électrique inadéquate, les accidents, les incendies, les inondations, ou d'autres actes de Dieu. · Une panne du produit si elle est utilisée pour autre chose que son intention effet. · La garantie ne couvre pas l'extérieur de la États-Unis continentaux. · Surtaxes y compris mais sans s'y limiter, toute après heure, les appels week-end, ou de services de vacances, les péages, les frais de voyage de convoyage ou les frais de kilométrage pour les appels de service dans les régions éloignées.
<p>En aucun cas Avanti Products avoir aucune obligation ou responsabilité pour les dommages à la propriété environnante, y compris les armoires, planchers, plafonds, et d'autres structures et / ou des objets autour du produit. Sont également exclus de cette garantie sont les égratignures, les entailles, bosses mineures, et autres dommages cosmétiques sur les surfaces externes et les parties exposées; Produits dont les numéros de série ont été modifiés, maquillé ou supprimé; visites de service pour l'éducation de la clientèle, ou des visites où il n'y a rien de mal avec le produit; correction des problèmes d'installation (vous êtes seul responsable de toute structure et réglage du produit, y compris tous les systèmes électriques, la plomberie et / ou d'autres installations de raccordement, pour le bon plancher / fondation, et pour toute modification y compris sans limitation les armoires, les murs, les planchers, les étagères etc., ainsi que la remise à zéro de disjoncteurs ou fusibles.</p>	
Produit hors garantie	
<p>Avanti Products est sous aucune obligation, en droit ou autrement, de vous fournir toutes les concessions, y compris les réparations, les pro-taux, ou le remplacement du produit, une fois la garantie expirée.</p>	
<i>Garantie - Micro-ondes</i>	

Registration Information

Thank you for purchasing this fine Avanti product. Please fill out this form and return it within 100 days of purchase and receive these important benefits to the following address:

**Avanti Products LLC.
P.O. Box 520604 - Miami, Florida 33152 USA**

Protect your product:

We will keep the model number and date of purchase of your new Avanti product on file to help you refer to this information in the event of an insurance claim such as fire or theft.

Promote better products:

We value your input. Your responses will help us develop products designed to best meet your future needs.

----- (detach here) -----

Avanti Registration Form

Name _____			Model # _____	Serial # _____
Address _____			Date Purchased _____	Store/Dealer Name _____
City _____	State _____	Zip _____	Occupation _____	
Area Code _____	Phone Number _____		<u>As Your Primary Residence, Do You:</u> <input type="checkbox"/> Own <input type="checkbox"/> Rent	

Did You Purchase An Additional Warranty:

Extended None

Reason For Choosing This Avanti Product:

Please indicate the most important factors that influenced your decision to purchase this product.

- Price
- Product Features
- Avanti Reputation
- Product Quality
- Salesperson Recommendation
- Friend/Relative Recommendation
- Warranty
- Other _____

Your Age:

under 18 18-25 26-30
 31-35 36-50 over 50

Marital Status:

Married Single

Is This Product Used In The:

Home Business

How Did You Learn About This Product:

Advertising In Store Demo Personal Demo

Other _____
Comments _____

