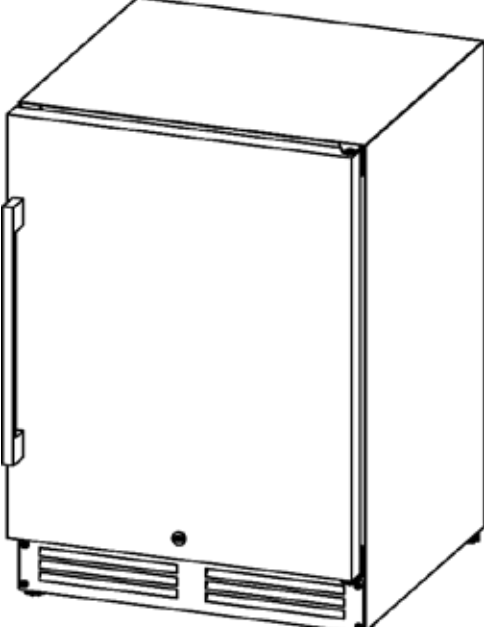
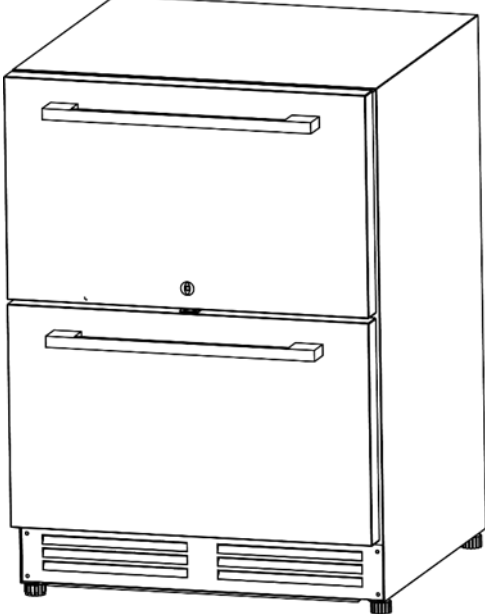


Avanti[®]

<p>Models / Modelos / Modèles:</p>	<p>OR543U3S – Stainless Steel Door OR544U4G – Glass Door OR525U5D – Dual Drawer</p>
<p>OUTDOOR REFRIGERATOR REFRIGERADOR PARA USO EXTERIOR RÉFRIGÉRATEUR EXTERIEUR</p>	<p>INSTRUCTION MANUAL MANUAL DE INSTRUCCIONES MANUEL D'INSTRUCTIONS</p>
<p>OR543U3S OR544U4G</p>	<p>OR525U5D</p>
	

BEFORE USE, PLEASE READ AND FOLLOW ALL SAFETY RULES AND OPERATING INSTRUCTIONS.

Avanti has a policy of continuous improvement on its products and reserves the right to change materials and specifications without notice.

**Avanti Products LLC
3265 Meridian Pkwy # 114
Weston, FL 33331
www.avantiproducts.com**

TABLE OF CONTENTS

Appliance Safety	3
Important Safeguides	4
Help Us Help You	5
Parts and Features	6
Important Safety Instructions	7
Installation Instructions	7 – 8
Electrical Connection	9
Operating Your Appliance	10
Care and Maintenance	11
Troubleshooting Guide	12
Service for Your Appliance	13
Your Avanti Products Warranty	14
Instrucciones en Español	15 – 25
Instructions en Français	26 – 37
Registration Information and Registration Card	Last page

APPLIANCE SAFETY

Your safety and the safety of others are very important.

We have provided many important safety messages in this manual and on your appliance. Always read and obey all safety messages.



This is the Safety Alert Symbol. This symbol alerts you to potential hazards that can kill or injure you and others. All safety messages will follow the Safety Alert Symbol and either the words "DANGER", "WARNING" or "CAUTION".



Danger means that failure to heed this safety statement may result in severe personal injury or death.






Warning means that failure to heed this safety statement may result in extensive product damage, serious personal injury, or death.



Caution means that failure to heed this safety statement may result in minor or moderate personal injury, or property or equipment damage.

All safety messages will alert you to what the potential hazard is, tell you how to reduce the chance of injury, and let you know what can happen if the instructions are not followed.

 FLAMMABLE REFRIGERANT GAS 
<p>DANGER - Risk of fire or explosion. Flammable refrigerant used. DO NOT use mechanical devices to defrost refrigerator. DO NOT puncture refrigerant tubing.</p> <p>DANGER - Risk of fire or explosion. Flammable refrigerant used. To be repaired only by trained service personnel. DO NOT puncture refrigerant tubing.</p> <p>CAUTION - Risk of fire or explosion. Flammable refrigerant used. Consult repair manual / owner's guide before attempting to service this product. All safety precautions must be followed.</p> <p>CAUTION - Risk of fire or explosion. Dispose of property in accordance with federal or local regulations. Flammable refrigerant used.</p> <p>CAUTION - Risk of fire or explosion due to puncture of refrigerant tubing. Follow handling instructions carefully. Flammable refrigerant used.</p> <p>CAUTION - To prevent a child from being entrapped, keep out of reach of children and not in the vicinity of the cooler.</p>

Prop. 65 Warning for California Residents	
	WARNING
	Cancer and Reproductive Harm - www.P65Warnings.ca.gov

IMPORTANT SAFEGUARDS



Before the unit is used, it must be properly positioned and installed as described in this manual, so read the manual carefully. To reduce the risk of fire, electrical shock or injury when using the unit, follow basic precautions, including the following:

DANGER

- Plug into a grounded 3-prong outlet, do not remove grounding prong, do not use an adapter, and do not use an extension cord
- Replace all panels before operating
- It is recommended that a separate circuit, serving only your unit, be provided. Use receptacles that cannot be turned off by a switch or pull chain
- Never clean appliance parts with flammable fluids. These fumes can create a fire hazard or explosion. And do not store or use gasoline or other flammable vapors and liquids in the vicinity of this or any other appliance. The fumes can create a fire hazard or explosion.
- Before proceeding with cleaning and maintenance operations, make sure the power line of the unit is disconnected.
- Do not connect or disconnect the electric plug when your hands are wet
- Unplug the appliance or disconnect the power before cleaning or servicing. Failure to do so can result in electrical shock or death.
- Do not attempt to repair or replace any part of your appliance unless it is specifically recommended in this material. All other servicing should be referred to a qualified technician.

WARNING

- Use two or more people to move and install the appliance. Failure to do so can result in back or other injury.
- To ensure proper ventilation for your appliance, the unit must be completely unobstructed. Choose a well-ventilated area with temperatures above 55°F (13°C) and below 90°F (32 °C). This unit must be installed in an area protected from the elements, such as wind, rain, water spray or sunlight.
- The appliance should not be located next to ovens, grills or other sources of high heat.
- The appliance must be installed with all electrical, water and drain connections in accordance with state and local codes. A standard electrical supply (115 V AC only, 60 Hz), properly grounded in accordance with the National Electrical Code and local codes and ordinances is required.
- Do not kink or pinch the power supply cord of the appliance.
- The fuse (or circuit breaker) size should be 15 amperes.
- It is important for the appliance to be leveled in order to work properly. You may need to make several adjustments to level it.
- All installation must be in accordance with local plumbing code requirements.
- Make certain that the pipes are not pinched or kinked or damaged during installation.
- Check for leaks after connection.
- Never allow children to operate, play with or crawl inside the appliance
- Do not use solvent-based cleaning agents or abrasives on the interior. These cleaners may damage or discolor the interior.
- Do not use this apparatus for other than its intended purpose.

HELP US HELP YOU...

Read this guide carefully.

It is intended to help you operate and maintain your new appliance properly.

Keep it handy to answer your questions. If you don't understand something or you need more help, please call:

**Avanti Customer Service
800-220-5570**

Keep proof of original purchase date (such as your sales slip) with this guide to establish the warranty period.

CAUTION:

**THIS APPLIANCE IS NOT
DESIGNED FOR THE
STORAGE OF MEDICINE OR
OTHER MEDICAL PRODUCTS.**

Write down the model and serial numbers.

You'll find them on a plate located on the rear outside wall of the appliance.

Please write these numbers here:

Date of Purchase

Model Number

Serial Number

Use these numbers in any correspondence or service calls concerning your appliance.

If you received a damaged appliance, immediately contact the dealer (or builder) that sold you the appliance.

Save time and money. Before you call for service, check the Troubleshooting Guide. It lists causes of minor operating problems that you can correct yourself.

IF YOU NEED SERVICE

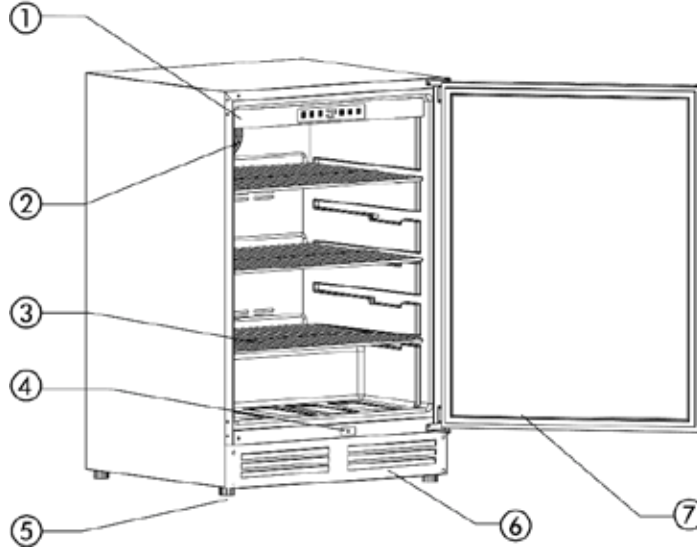
We're proud of our service and want you to be pleased. If for some reason, you are not happy with the service you receive, here are some steps to follow for further assistance. FIRST, contact the people who serviced your appliance. Explain why you are not pleased. In most cases, this will solve the problem.

NEXT, if you are still not pleased, write all the details, including your telephone number, and send it to:

**Customer Service
Avanti Products
3265 Meridian Pkwy # 114
Weston, FL 33331 USA**

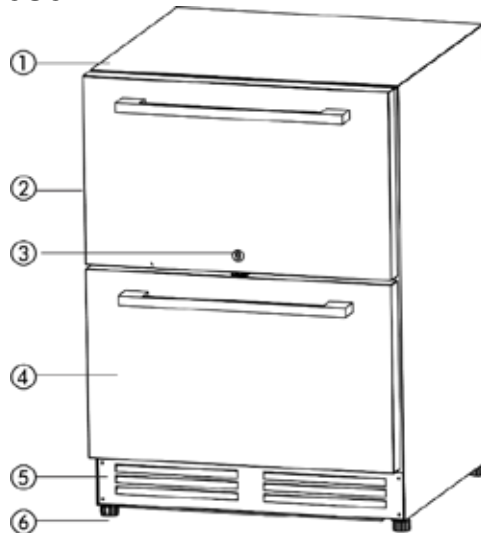
PARTS AND FEATURES

Models: OR543U3S / OR544U4G



1	Control Panel
2	Interior Fan
3	Shelves (3)
4	Light Switch
5	Leveling Legs
6	Front Grille
7	Door with Handle

Model: OR525U5D



1	Cabinet
2	Upper Drawer with Handle
3	Security Lock
4	Lower Drawer with Handle
5	Front Grille
6	Leveling Legs

IMPORTANT SAFETY INSTRUCTIONS

~ WARNING ~

To reduce the risk of fire, electrical shock, or injury when using your refrigerator, follow these basic precautions:

This Unit Is Designed for Indoor and Outdoor Use - SAVE THESE INSTRUCTIONS -

- Read all instructions before using the refrigerator.
- **DANGER or WARNING:** Risk of child entrapment. Child entrapment and suffocation are not problems of the past. Junked or abandoned refrigerators are still dangerous . . . even if they will “just sit in the garage a few days”.
- **Before you throw away your old refrigerator:** take off the doors. Leave the shelves in place so that children may not easily climb inside.
- Never allow children to operate, play with, or crawl inside the refrigerator.
- Never clean refrigerator parts with flammable fluids. The fumes can create a fire hazard or explosion.
- Do not store or use gasoline or any other flammable vapors and liquids in the vicinity of this or any other refrigerator. The fumes can create a fire hazard or explosion.

INSTALLATION INSTRUCTIONS

Before Using Your Refrigerator

- Remove the exterior and interior packing.
- Before connecting the unit to the power source, let it stand upright for approximately 2 hours. This will reduce the possibility of a malfunction in the cooling system from handling during transportation.
- Clean the interior surface with lukewarm water using a soft cloth.

Installation of Your Refrigerator

- This appliance is designed to be for free standing installation, recessed or built-in (fully recessed).
- Place your Appliance on a floor that is strong enough to support it when it is fully loaded. To level your Appliance, adjust the front leveling legs at the bottom of the Appliance.
- Locate the Appliance away from direct sunlight and sources of heat (stove, heater, radiator, etc.). Direct sunlight may affect the acrylic coating and heat sources may increase electrical consumption. Extreme cold ambient temperatures may also cause the unit not to perform properly.
- Plug the Appliance into an exclusive, properly installed-grounded wall outlet. Do not under any circumstances cut or remove the third (ground) prong from the power cord. Any questions concerning power and/or grounding should be directed toward a certified electrician or an authorized Avanti Products service center.
- Avoid locating the refrigerator in moist areas. Too much moisture in the air will cause frost to form quickly on the evaporator requiring more frequent defrosting of the refrigerator.

REVERSING THE DOOR SWING OF YOUR REFRIGERATOR

This unit has the capability of the doors opening from either the left or right side. The unit is delivered to you with the doors opening from the left side. Should you desire to reverse the opening direction, please call service for reversal instructions.

BUILT – IN CABINET INSTRUCTIONS

This unit is designed for both built-in or free standing installation. If you plan to use this unit in a built- in application, please follow the requirements shown to the right.

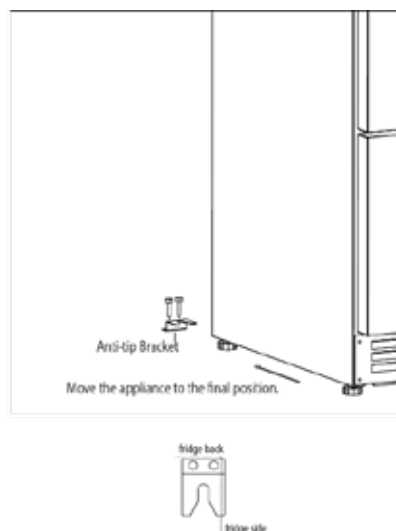
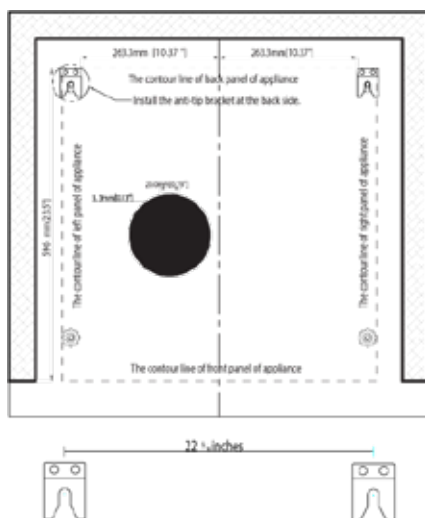
Cabinet Opening Dimensions		
	IN (min)	CM (min)
Width	25.75"	65.5
Depth	29"	73.7
Height	34 ½"	87.7

ANTI-TIP BRACKET INSTALLATION

To reduce the risk of tipping the unit by abnormal usage or improper loading, the appliance must be secured by properly installing the anti-tip device packed with the appliance.

- Place the anti-tip bracket on the floor as shown in the figure. An anti-tip bracket must be installed at both sides.
- Mark the locations of the 4 holes of the anti-tip bracket on the floor, refer to the location drawing.
- Use a masonry drill bit and insert plastic anchors.
- Secure bracket to floor using screws.
- Slide appliance into position and make sure the leg engages the anti-tip bracket.

NOTE: If the unit is relocated, the bracket must be removed and installed in the new location.



Electrical Connection

~ Warning ~

Improper use of the grounded plug can result in the risk of electrical shock. If the power cord is damaged, have it replaced by an authorized Avanti Products service center.

This appliance should be properly grounded for your safety. The power cord of this appliance is equipped with a three-prong plug which mates with standard three prong wall outlets to minimize the possibility of electrical shock.

Do not under any circumstances cut or remove the third ground prong from the power cord supplied.

This appliance requires a standard 115Volts~/60Hz electrical outlet with three-prong ground.

The cord should be secured behind the appliance and not left exposed or dangling to prevent accidental injury.

Never unplug the appliance by pulling the power cord. Always grip the plug firmly and pull straight out from the receptacle.

Do not use an extension cord with this appliance. If the power cord is too short, have a qualified electrician or service technician install an outlet near the appliance.

Ø EXTENSION CORD

Because of potential safety hazards under certain conditions, it is strongly recommended that you do not use an extension cord with this unit. However, if you must use an extension cord it is necessary that it be a UL/CUL-Listed, 3-wire grounding type appliance extension cord having a grounding type plug and outlet and that the electrical rating of the cord be 115 volts and at least 10 amperes.

Ø SURGE PROTECTOR

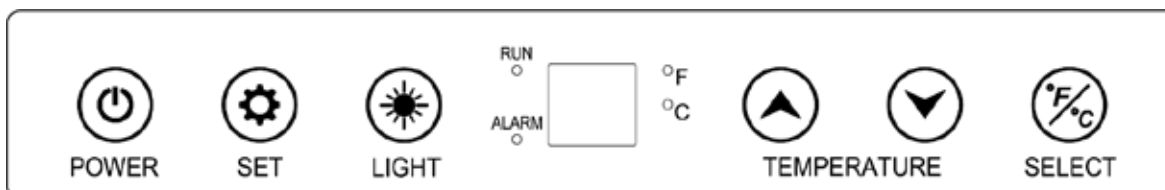
Most electrical appliances use a series of electric control boards to operate. These boards are very susceptible to power surges and could be damaged or destroyed.


If the appliance is going to be used in an area or if your city / country is prone to power surges / outages; it is suggested that you use a power surge protector for all electrical devices / appliances you use. The surge protector that you select must have a surge block high enough to protect the appliance it is connected to. If you have any questions regarding the type and size of surge protector needed contact a licensed electrician in your area.

Damages due to power surges are not considered a manufacturer covered defect and will void your product warranty.


OPERATING YOUR APPLIANCE

It is recommended you install the appliance in a place where the ambient temperature is between 60- 90 degrees Fahrenheit. If the ambient temperature is above or below recommended temperatures, the performance of the unit may be affected. For example, placing your unit in extreme cold or hot conditions may cause interior temperatures to fluctuate. The range of 34 - 50 degrees Fahrenheit may not be reached.




 You can select temperature display setting from Fahrenheit to Celsius degree by touching the button. Fahrenheit or Celsius degrees indicator will appear in blue color in the temperature display window.

ON/OFF POWER


 - Press and hold for 2 seconds on control panel to turn on or turn off the cooler, when cooler is turned off, the appliance will stop working.



LIGHT SETTING

 - There are two light modes, press and hold for 3 seconds to select light mode.

1. Light on and off mode: The default setting of light will be controlled by sensor when door is opened, the light will turn on automatically, when door is closed the light will be turned off.

TEMPERATURE SETTING

 - Press the setting button to enter the setting mode.

Press  or  to adjust the temperature of the appliance, and each press on the button Will alter the temperature by 1°F.

CARE AND MAINTENANCE

Ø CLEANING YOUR APPLIANCE

- Turn off the power, unplug the appliance, and remove all items including shelves.
- Wash the inside surfaces with a warm water and baking soda solution. The solution should be about 2 tablespoons of baking soda to a quart of water.
- Wash the shelves with a mild detergent solution.
- Wring excess water out of the sponge or cloth when cleaning area of the controls, or any electrical parts.
- Wash the outside cabinet with warm water and mild liquid detergent. Rinse well and wipe dry with a clean soft cloth.
- Do not use steel wool or steel brush on the stainless steel. These will contaminate the stainless steel with steel particles and rusting may occur.

Ø POWER FAILURE

- Most power failures are corrected within a few hours and should not affect the temperature of your appliance if you minimize the number of times the door is opened. If the power is going to be off for a longer period of time, you need to take the proper steps to protect your contents.

Ø MOVING YOUR APPLIANCE

- Remove all items.
- Securely tape down all loose items (shelves) inside your appliance.
- Tape the door shut.
- Be sure the appliance stays secure in the upright position during transportation. Also protect outside of appliance with a blanket, or similar item.

Ø ENERGY SAVING TIPS

- The appliance should be located in the coolest area of the room, away from heat producing appliances, and out of the direct sunlight.

PROBLEMS WITH YOUR APPLIANCE?

You can solve many common problems easily, saving you the cost of a possible service call. Try the suggestions below to see if you can solve the problem before calling the servicer.

TROUBLESHOOTING GUIDE

PROBLEM	POSSIBLE CAUSE
Appliance does not operate.	Not plugged in. The appliance is turned off. The circuit breaker tripped or a blown fuse.
Appliance is not cold enough.	Check the temperature control setting. External environment may require a higher setting. The door is opened too often. The door is not closed completely. The door gasket does not seal properly.
Turns on and off frequently.	The room temperature is hotter than normal. A large amount of contents has been added to the unit. The door is opened too often. The door is not closed completely. The temperature control is not set correctly. The door gasket does not seal properly.
The light does not work.	Not plugged in. The circuit breaker tripped or a blown fuse. The light button is "OFF".
Vibrations.	Check to assure that the appliance is level.
The appliance seems to make too much noise.	The rattling noise may come from the flow of the refrigerant, which is normal. As each cycle ends, you may hear gurgling sounds caused by the flow of refrigerant in your appliance. Contraction and expansion of the inside walls may cause popping and crackling noises. The appliance is not level.
The door will not close properly.	The appliance is not level. The gasket is dirty. The shelves are out of position.
Display flashes Error message "H1"	Temperature sensor failure. Contact the Avanti Service Department 1 - 800 – 220 - 5570
Display flashes Error message "L1"	Temperature sensor failure. Contact the Avanti Service Department 1 - 800 – 220 - 5570
Display flashes Error message "F2"	Inner Fan Failure. Contact the Avanti Service Department 1 - 800 – 220 - 5570

SERVICE FOR YOUR APPLIANCE

We are proud of our customer service organization and the network of professional service technicians that provide service on your Avanti appliances. With the purchase of your Avanti appliance, you can have the confidence that if you ever need additional information or assistance, the Avanti Products Customer Service team will be here for you. Just call us toll-free.

AVANTI PRODUCTS CUSTOMER SERVICES

Product Information 800-323-5029	Whatever your questions are about our products, help is available.
Part Orders 800-220-5570	You may order parts and accessories that will be delivered directly to your home by personal check, money order, Master Card, or Visa.
In-Home Repair Service 800-220-5570	An Avanti Products authorized service center will provide expert repair service, scheduled at a time that is convenient for you. Our trained servicers know your appliance inside and out.

YOUR AVANTI PRODUCTS WARRANTY	Staple your sales receipt here. Proof of original purchase date is needed to obtain service under warranty.
--------------------------------------	--

WHAT IS COVERED – LIMITED ONE-YEAR WARRANTY

Avanti Products warrants that the product is free from defects in materials and/or workmanship for a period of twelve (12) months from the date of purchase by the original owner. The foregoing timeline begins to run upon the date of purchase, and shall not be stalled, tolled, extended, or suspended for any reason whatsoever unless described in detail in the warranty document. For one year from the date of purchase by the original owner, Avanti products will, at its option, repair or replace any part of the product which proves to be defective in material or workmanship under normal use. Avanti Products will provide you with a reasonably similar product that is either new or factory refurbished. During this period Avanti Products will provide all parts and labor necessary to correct such defects free of charge, so long as the product has been installed and operated in accordance with the written instructions in this manual. In rental or commercial use, the warranty period is 90 days. All Avanti appliances of 4.2 cubic feet capacity or less must be brought/sent to the appliance service center for repair.

LIMITED SECOND THROUGH FIFTH YEAR WARRANTY

For the second through the fifth year from the date of original purchase, Avanti Products will provide a replacement compressor free of charge due to a failure. You are responsible for the service labor and freight charges. In rental or commercial use, the limited compressor warranty is one year and nine months. Costs involved to move the product to the service center and back to the user's home, as maybe required, are the user's responsibility.

WARRANTY EXCLUSIONS / WHAT IS NOT COVERED:

The warranty coverage described herein excludes all defects or damage that are not the direct fault of Avanti Products, including without limitation, one or more of the following:

- A failure to comply with any applicable state, local, city, or county electrical, plumbing and/or building codes, regulations, or laws, including failure to install the product in strict conformity with local fire and building codes and regulations.
 - Any external, elemental and/or environmental forces and factors, including without limitation, rain, wind, sand, floods, fires, mud slides, freezing temperatures, excessive moisture or extended exposure to humidity, lightning, power surges, structural failures surrounding the appliance, and acts of God.
- | | |
|---|---|
| <ul style="list-style-type: none"> • Content losses of food or other content due to spoilage. • Incidental or consequential damages • Parts and labor costs for the following will not be considered as warranty: <ul style="list-style-type: none"> • Evaporator doors, door springs, and/or frames. • Inner door panels, door shelves, door rails, and/or door supports. • Light bulbs and/or plastic housing. • Plastic cabinet liners. • Punctured evaporator that voids the warranty on the complete sealed system. | <ul style="list-style-type: none"> • Shipping and handling costs associated with the replacement of the unit. • Repairs performed by unauthorized servicers. • Service calls that are related to external problems, such as abuse, misuse, inadequate electrical power, accidents, fire, floods, or any other acts of God. • Failure of the product if it is used for other than it intended purpose. • The warranty does not apply outside the Continental USA. • Surcharges including but not limited to, any after hour, weekend, or holiday service calls, tolls, ferry trip charges, or mileage expense for service calls to remote areas. |
|---|---|

In no event, shall Avanti Products have any liability or responsibility whatsoever for damage to surrounding property, including cabinetry, floors, ceilings, and other structures and/or objects around the product. Also excluded from this warranty are scratches, nicks, minor dents, and other cosmetic damages on external surfaces and exposed parts; Products on which the serial numbers have been altered, defaced or removed; service visits for customer education, or visits where there is nothing wrong with the product; correction of installation problems (you are solely responsible for any structure and setting for the product, including all electrical, plumbing and/or other connecting facilities, for proper foundation/flooring, and for any alterations including without limitation cabinetry, walls, floors, shelving etc., as well as the resetting of breakers or fuses.

OUT OF WARRANTY PRODUCT

Avanti Products is under no obligation, at law or otherwise, to provide you with any concessions, including repairs, pro-rates, or product replacement, once this warranty has expired.

WARRANTY – REFRIGERATION - COMPRESSOR

INSTRUCCIONES DE SEGURIDAD

Su seguridad y la seguridad de los demás son muy importantes.

Hemos incluido muchos mensajes importantes de seguridad en este manual y en su electrodoméstico. Lea y obedezca siempre todos los mensajes de seguridad.



Éste es el símbolo de alerta de seguridad. Este símbolo le avisa de los peligros potenciales que pueden matar o lesionar a usted y otros. Toda la seguridad mensajes seguirá a la Seguridad Símbolo de alerta y cualquiera de los pabellones "PELIGRO", "ADVERTENCIA" o "PRECAUCIÓN".



Peligro significa que el incumplimiento de la medida de seguridad podría causar lesiones graves o la muerte.



Advertencia significa que si no se respeta esta medida de seguridad podría resultar en graves daños al producto, lesiones personales graves o la muerte.



Advertencia significa que si no se respeta esta medida de seguridad podría resultar en graves daños al producto, lesiones personales graves o la muerte.

Todo mensaje de seguridad le avisará a cuál es el peligro potencial, le dirán cómo reducir el riesgo de lesiones, y le hará saber lo que puede suceder si no se siguen las instrucciones.

GAS REFRIGERANTE INFLAMABLE

PELIGRO - Riesgos de incendio o explosión. Refrigerante inflamable usado.

NO use dispositivos mecánicos para descongelar el refrigerador. No pinche tubería refrigerante.

PELIGRO - Riesgos de incendio o explosión. Refrigerante inflamable usado. Para ser reparado sólo por personal de servicio técnico cualificado. No pinche tubería refrigerante.

PRECAUCIÓN - Riesgo de incendio o explosión. Refrigerante inflamable usado. Consulte el manual de reparación / manual del propietario antes de intentar reparar este producto. Todas las precauciones de seguridad que se deben seguir.

PRECAUCIÓN - Riesgo de incendio o explosión. Deshágase de los bienes de acuerdo con las regulaciones federales o locales. Refrigerante inflamable usado.

PRECAUCIÓN - Riesgo de incendio o explosión debido a la perforación de la tubería de refrigerante. Siga las instrucciones de manejo cuidadosamente. Refrigerante inflamable usado.

PRECAUCIÓN - Para evitar que un niño está atrapado, mantener fuera del alcance de los niños y no en las proximidades de la nevera.

MEDIDAS DE SEGURIDAD IMPORTANTES



Antes de utilizar, debe ser colocado correctamente e instalado como descrito en este manual, así que lea cuidadosamente el manual. Para reducir el riesgo de incendio, descarga eléctrica o lesiones al utilizar la unidad, Siga las precauciones básicas, incluyendo las siguientes

! DANGER !

- Enchufe en unas 3 clavijas con conexión a tierra toma de corriente, hacer No retire de puesta a tierra púa, hacer No utilice un adaptador, y no utilice un cable de extensión
- Reemplazar todos los paneles antes operativos
- Eso se recomienda usar un circuito separado, que sólo sirve a su aparato, ser proporcionado. Use recipientes ese no poder ser desactivado por un interruptor o cadena
- Nunca limpia electrodoméstico piezas con líquidos inflamables. Estos vapores pueden crear un riesgo de incendio o explosión. Y no almacene ni use gasolina u otros vapores y líquidos inflamables en la proximidad de este o cualquier otro electrodoméstico. Los vapores pueden crear un riesgo de incendio o explosión.
- Antes de proceder con las operaciones de limpieza y mantenimiento, asegúrese de que la línea de alimentación de la unidad se desconecta.
- hacer No conecte o desconecte el enchufe eléctrico con las manos mojadas
- Desenchufe el electrodoméstico o desconectar la alimentación antes de la limpieza o el mantenimiento. El no hacerlo puede provocar una descarga eléctrica o la muerte.
- hacer No intente reparar o reemplazar cualquier parte de su electrodoméstico a menos que se recomiende específicamente en este material. Cualquier otro servicio debe ser realizado por un técnico cualificado.

! WARNING !

- Se recomienda utilizar dos o más personas para mover e instalar el electrodoméstico. El aparato es pesado y puede resultar en daños de la espalda u otras lesiones.
- Para garantizar una ventilación adecuada para su electrodoméstico, la unidad debe estar completamente despejada. Elija un área bien ventilada con temperaturas superiores a 55°F (13°C) y por debajo de 90°F (32°C). Esta unidad debe ser instalada en un área protegida de los elementos, tales como el viento, la lluvia, rocío de agua o luz de sol.
- El electrodoméstico no debe colocarse cerca de hornos, parrillas u otras fuentes de calor.
- El electrodoméstico debe ser instalado con todas las conexiones eléctricas, de agua y de desagüe según los códigos estatales y locales. Hace falta un suministro eléctrico estándar (sólo 115 V CA, 60 Hz), debidamente conectada a tierra de acuerdo con el Código Eléctrico Nacional y los códigos y ordenanzas locales.
- Hacer No doble ni apriete el cable de alimentación del electrodoméstico.
- Los fusibles (o disyuntor) tamaño debe ser de 15 amperios.
- Eso Es importante que el electrodoméstico a nivelarse con el fin de funcionar correctamente. Puede que tenga que hacer varios ajustes para nivelarla.
- Toda la instalación debe realizarse de acuerdo con los requerimientos locales de plomería.
- Asegúrese de que los tubos no están aplastar ni dañado durante instalación.
- Compruebe si hay fugas después de la conexión.
- Nunca permita que los niños operen, jueguen o gateen el interior del electrodoméstico
- Hacer No utilice productos de limpieza a base de disolvente-abrasivos en el interior. Estos limpiadores pueden dañar o decolorar el interior.
- No utilice este electrodoméstico para que no sea su finalidad.
- Do not use this apparatus for other than its intended purpose.

Ayúdenos a ayudarte...

Lea detenidamente esta guía.

Se pretende que ayuden a utilizar y mantener su nuevo electrodoméstico correctamente.

Mantenga a la mano para responder a sus preguntas.

Si no entiende algo o si necesita más ayuda, por favor llame a:

**Avanti Servicio al Cliente
800-220-5570**

Mantenga prueba de la fecha original de compra (como el recibo de venta) con esta guía para establecer el período de garantía.

PRECAUCIÓN:

**ESTE ELECTRODOMÉSTICO
NO ESTÁ DISEÑADO PARA EL
ALMACENAMIENTO DE
MEDICINA U OTROS
PRODUCTOS MÉDICOS.**

Escribir se establece el modelo y número de serie.

Los encontrará en una placa situada en la pared exterior trasera del electrodoméstico.

Por favor, escriba estos números aquí:

Fecha de compra

Número de modelo

Número de serie

Utilice estos números en cualquier correspondencia o llamadas de servicio con respecto a su electrodoméstico.

Si ha recibido un electrodoméstico dañado, póngase inmediatamente en contacto con el distribuidor (o constructor) que le vendió el electrodoméstico.

Ahorrar tiempo y dinero. Antes de llamar al servicio técnico, consulte la Guía de solución de problemas. En él se enumeran las causas de los problemas de funcionamiento de menor importancia que se pueden corregir a sí mismo.

Si necesita servicio

Estamos orgullosos de nuestro servicio y queremos que usted esté satisfecho. Si por alguna razón usted no está satisfecho con el servicio que recibe, aquí hay algunos pasos a seguir para obtener más ayuda.

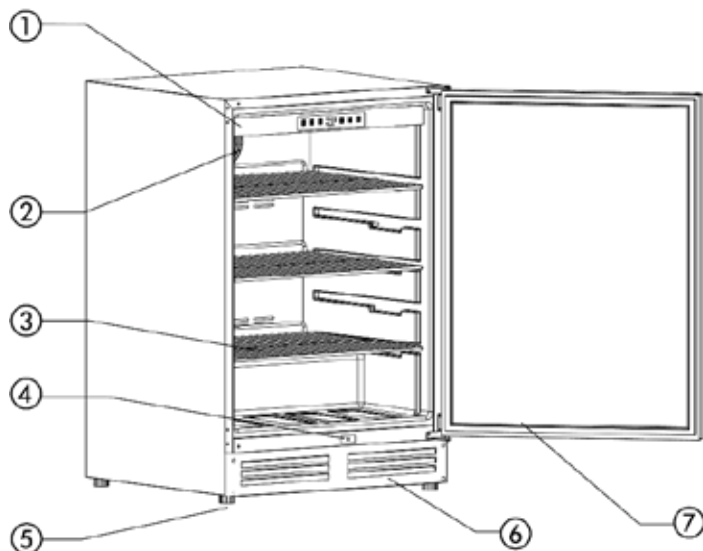
PRIMERA, póngase en contacto con las personas que servicio de reparación del electrodoméstico. Explicar por qué usted no está satisfecho. En la mayoría de los casos, esto va a resolver el problema.

A continuación, si usted todavía no está contento, escribir todos los detalles, incluyendo su número de teléfono, y enviarlo a:

**Servicio al cliente
Avanti Products
3265 Meridian Pkwy # 114
Weston, FL 33331 EE.UU.**

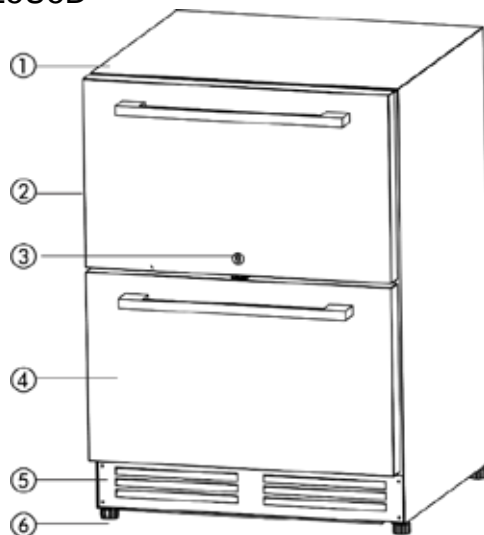
PARTES Y CARACTERÍSTICAS

Modelos: OR543U3S / OR544U4G



1	Panel de control
2	Ventilador interior
3	Estantes (3)
4	Interruptor de luz
5	Patas niveladoras
6	Parrilla delantera
7	Puerta con manija

Modelo: OR525U5D



1	Gabinete
2	Gaveta superior con manija
3	Candado de seguridad
4	Gaveta inferior con manija
5	Parrilla delantera
6	Patas niveladoras

INSTRUCCIONES DE SEGURIDAD IMPORTANTES

~ PRECAUCIÓN ~	Para reducir el riesgo de incendio, descarga eléctrica, o daño cuando use su refrigerador, siga las siguientes precauciones.
-----------------------	--

Esta unidad es para uso en interiores - GUARDE ESTAS INSTRUCCIONES -

- Leer todas las instrucciones antes de usar el refrigerador.
- **PELIGRO o ADVERTENCIA:** Riesgo de encierro para niños. Niños atrapados y sofocación no son problemas del pasado. Refrigeradores desechados o abandonados siguen siendo peligrosos. . . incluso si van a "sentarse en el garaje de unos pocos días".
- **Antes de deshacerse de su refrigerador viejo:** quite las puertas. Deje los estantes en su lugar para que los niños no puedan meterse con facilidad.
- Nunca permita que los niños manejen, jueguen o se arrastran dentro del refrigerador.
- Nunca limpie las piezas del refrigerador con líquidos inflamables. Los vapores pueden crear un peligro de incendio o explosión.
- No almacene ni use gasolina u otros vapores y líquidos inflamables en la proximidad de éste o cualquier otro refrigerador. Los vapores pueden crear un peligro de incendio o explosión.

INSTRUCCIONES DE INSTALACIÓN

Antes de utilizar el refrigerador

- Retire la envoltura interna y externa.
- Antes de conectar la unidad a la fuente de alimentación, se deja reposar en posición vertical durante aproximadamente 2 horas. Esto reducirá la posibilidad de un mal funcionamiento en el sistema de refrigeración de la manipulación durante el transporte.
- Limpie la superficie interior con agua templada y un paño suave.

Ø INSTALACIÓN DEL APARATO

- El aparato está diseñado para ser para la instalación de pie o incorporado (totalmente empotrado).
- Coloque el aparato sobre un piso que sea lo suficientemente fuerte como para soportar su peso cuando está totalmente cargado. Para nivelar el aparato, ajuste las patas niveladoras delanteras en la parte inferior del aparato.
- Coloque el aparato lejos de luz solar directa y de fuentes de calor (cocina, calefacción, radiador, etc.). La luz solar directa puede afectar el recubrimiento acrílico y fuentes de calor puede aumentar el consumo eléctrico. Temperaturas ambiente extremas de frío también pueden hacer que la unidad no funcione correctamente.
- Evite colocar la unidad en áreas húmedas.
- Conecte el aparato a una toma de pared exclusivo, tierra adecuada-instalado. Bajo ninguna circunstancia corte o retire la tercera pata (tierra) del cable de alimentación. Cualquier pregunta relacionada con la energía y / o puesta a tierra deben ser dirigidas a un electricista certificado o un centro de servicio de Avanti Products.

INVERSIÓN DE LA APERTURA DE LA PUERTA DE SU REFRIGERADOR

Este refrigerador La unidad se entrega usted con las puertas que se abren desde el lado izquierdo. Si usted desea invertir el sentido de apertura, por favor llame al servicio para obtener instrucciones de reversión.

INSTRUCCIONES PARA EMPOTRAR LA UNIDAD

La unidad está diseñada tanto para ser empotrada o para instalación independiente. Si va a utilizar esta unidad en una aplicación empotrada por favor, siga los requisitos que se muestran a la derecha.

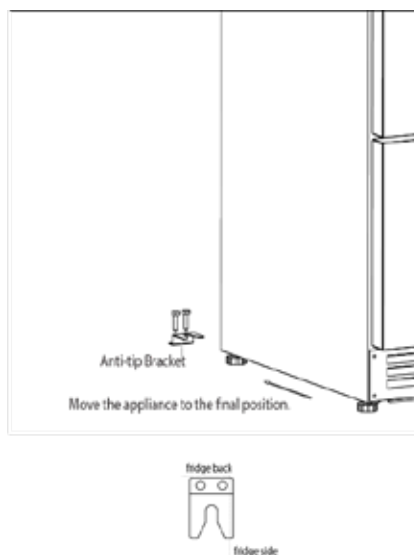
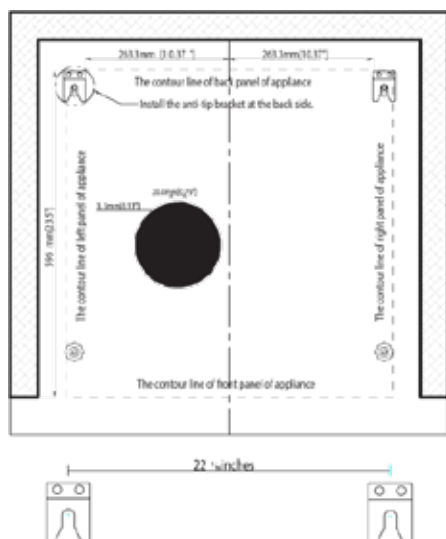
Dimensiones de la apertura		
	Pulgadas(min)	CM (min)
Ancho	25.75"	65.5
Profundidad	29"	73.7
Altura	34 ½"	87.7

INSTALACIÓN DEL SOPORTE ANTIVOLTEO

Para reducir el riesgo de que la unidad se vuelque debido a un uso anormal o una carga incorrecta, el aparato debe asegurarse instalando correctamente el dispositivo antivuelco que viene con el aparato.

- Coloque el soporte antivuelco en el suelo como se muestra en la figura. Se debe instalar un soporte antivuelco en ambos lados.
- Marque las ubicaciones de los 4 orificios del soporte antivuelco en el piso, consulte el plano de ubicación.
- Use una broca para mampostería e inserte anclajes de plástico.
- Asegure el soporte al piso usando tornillos.
- Deslice el aparato a su posición y asegúrese de que la pata encaje en el soporte antivuelco.

NOTA: Si se reubica la unidad, se debe quitar el soporte e instalarlo en la nueva ubicación.



Conexión eléctrica

~ Advertencia ~

El uso inapropiado del enchufe a tierra puede resultar en el riesgo de descarga eléctrica. Si el cable de alimentación está dañado, haga que sea reemplazado por un centro de servicio autorizado de Avanti Products.

Este electrodoméstico debe estar conectado a tierra adecuadamente para su seguridad. El cable eléctrico de este electrodoméstico está equipado con un enchufe de tres puntas que encajan con tres enchufes de pared standard para reducir al mínimo la posibilidad de una descarga eléctrica.

Bajo ninguna circunstancia corte o remueva la punta de tierra del cable de alimentación suministrado.

Este electrodoméstico requiere una toma de corriente eléctrica 115Volts ~ / 60 Hz estándar con tierra de tres clavijas.

El cable debe ser asegurado detrás del electrodoméstico y no déjelo expuesto para evitar lesiones accidentales.

Nunca desenchufe el electrodoméstico tirando del cable de alimentación. Siempre sostenga firmemente el enchufe y tire en línea recta desde el receptáculo.

No utilice un cable de extensión con este electrodoméstico. Si el cable de alimentación es demasiado corto, haga que un electricista o técnico calificado instale un tomacorriente cerca del electrodoméstico.

Ø CABLE EXTENSIÓN

Debido a los peligros potenciales de seguridad bajo ciertas condiciones, se recomienda encarecidamente que no se utilice un cable de extensión con esta unidad. Sin embargo, si debe utilizar un cable de extensión es absolutamente necesario que se trate de un UL / CUL, 3 hilos con toma de tierra del electrodoméstico cable de extensión que tiene un enchufe y la toma a tierra y que la clasificación eléctrica del cable sea de 115 voltios y al menos 10 amperios.

Ø PROTECTOR CONTRA SOBRETENSIONES

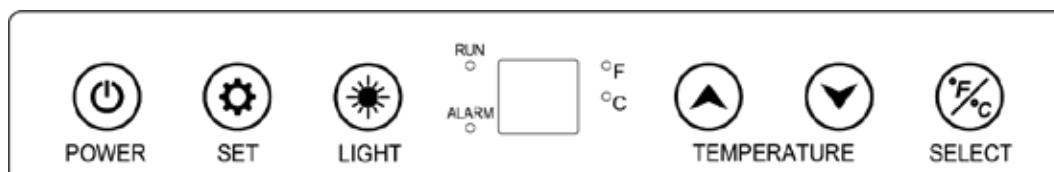
La mayoría de los electrodomésticos utilizan una serie de paneles de control eléctricos para operar. Estas placas son muy susceptibles a las subidas de tensión y podrían ser dañados o destruidos.

Si el electrodoméstico va a ser usado en un área o si su ciudad / país es propenso a subidas de tensión / interrupciones; se sugiere que utilice un protector contra sobretensiones alimentación de todos los dispositivos / electrodomésticos que utiliza. El estabilizador de tensión que se selecciona debe tener un bloque oleada suficientemente alto como para proteger el electrodoméstico está conectado a. Si usted tiene alguna pregunta relacionada con el tipo y tamaño de contacto necesario protector contra sobretensiones a un electricista autorizado en su área.

Los daños debidos a sobrecargas de energía no se consideran un defecto cubierto por el fabricante y anulará la garantía del producto.

FUNCIONAMIENTO DEL APARATO

Se recomienda instalar el aparato en un lugar donde la temperatura ambiente es de entre 60 - 90 grados Fahrenheit. Si la temperatura ambiente es la temperatura recomendada por encima o por debajo, el rendimiento de la unidad puede verse afectado. Por ejemplo, la colocación de la unidad en condiciones frías o calientes extremas puede causar temperaturas interiores que fluctúan y no se pudiera alcanzar el rango de 34 - 50 grados Fahrenheit.



Ud. puede seleccionar los grados centígrados o Fahrenheit presionando el botón marcado. En la pantalla digital aparecerá el F o C indicador

ON / APAGADO

- Mantenga pulsado durante 2 segundos en el panel de control para encender o apagar el aparato. Cuando el aparato está apagado, dejará de funcionar.

LUZ INTERIOR

- Hay dos modos de luz, mantenga pulsado durante 3 segundos para seleccionar el modo de luz.

1. Luz encendida y el modo de apagado: La configuración por defecto de la luz será controlada por la pantalla del sensor, al abrir la puerta, la luz se encenderá automáticamente, cuando la puerta está cerrada, la luz será desactivada.

AJUSTE DE TEMPERATURA

- Oprime el botón para entrar en modo de ajustes.

- Pulse o para ajustar la temperatura del aparato, y cada pulsación del botón se altera la temperatura por 1°.

CUIDADO Y MANTENIMIENTO

Ø LIMPIEZA DEL APARATO

- desenchufe el aparato y retire todos los artículos incluyendo los estantes.
- Limpia las superficies interiores con una solución de agua y bicarbonato de sodio caliente. La solución debe ser de aproximadamente 2 cucharadas de bicarbonato de sodio a un litro de agua.
- Limpia los estantes con una solución de detergente suave.
- Esprima exceso de agua de la esponja o paño para limpiar el área de los controles, o cualquier partes eléctricas.
- Limpia el armario exterior con agua caliente y detergente líquido suave. Enjuague bien y seque con un paño suave y limpio.
- No utilice lana de acero o un cepillo de acero sobre el acero inoxidable. Estos contaminarán el acero inoxidable con partículas de acero y se puede producir la oxidación.

Ø FALLAS DE ELECTRICIDAD

- Las fallas de energía t se corrigen en unas pocas horas y no deben afectar a la temperatura de su electrodoméstico si se minimiza el número de veces que se abre la puerta. Si el poder va a estar fuera por un período de tiempo más largo, es necesario tomar las medidas adecuadas para proteger sus contenidos.

Ø SI UD SE MUDA

- Eliminar todos las botellas.
- Segure con cinta adhesiva todos los artículos sueltos (estantes) en el interior de su aparato.
- Cierre la puerta y segure con cinta adhesiva
- Mantiene de que el aparato este seguro en la posición vertical durante el transporte. También proteja el exterior del aparato con una manta, o un elemento similar.

Ø CONSEJOS PARA AHORRAR ENERGÍA

- El aparato debe estar situado en la zona más fría de la habitación, lejos de aparatos que producen calor, y fuera de la luz directa del sol.

GUÍA PARA RESOLVER PROBLEMAS

Puede solucionar muchos problemas comunes refrigerador Pruebe las siguientes sugerencias para ver si puede resolver el problema antes de llamar al servicio técnico.

PROBLEMA	CAUSA POSIBLE
Refrigerador no funciona.	No está enchufado. El interruptor saltó o se quemó el fusible.
Refrigerador no enfría.	El refrigerador está apagado.
El compresor se enciende y apaga con frecuencia.	Serpentín del condensador en la parte posterior de la unidad está sucia. La temperatura ambiente es más caliente de lo normal. Una gran cantidad de alimentos se ha añadido a la nevera. La puerta está abierta demasiado a menudo. La puerta no está cerrada completamente. El control de temperatura no está configurado correctamente. La junta de la puerta no cierra correctamente. El refrigerador no tiene el suficiente espacio libre. (5 " a ambos lados y la parte posterior de la unidad)
La luz no funciona.	Ha saltado el fusible. El refrigerador está desconectado. La bombilla se ha quemado.
Vibraciones.	Compruebe para asegurarse de que el refrigerador esté nivelado.
El refrigerador parece hacer demasiado ruido.	El ruido de traqueteo puede venir del flujo del refrigerante, que es normal. Al final de cada ciclo, puede oír sonidos de gorgoteo causado por el flujo de refrigerante en su refrigerador. La contracción y expansión de las paredes interiores pueden causar sonidos como crujidos. El refrigerador no está nivelado.
La puerta no se cerrará correctamente.	El refrigerador no está nivelado. Las puertas se invirtieron y no están instalados correctamente. La junta está sucia. Los estantes, recipientes o cestas están fuera de posición.

SERVICIO DE APARATO

Estamos orgullosos de nuestra organización de servicio al cliente y la red de técnicos de servicios profesionales que prestan servicio en sus electrodomésticos Avanti. Con la compra del aparato, Avanti, usted puede tener la confianza de que si alguna vez necesita información o asistencia adicional con el Customer Service Avanti Products estará aquí para usted. Sólo tiene que llamar al número gratuito.

PRODUCTOS DE CLIENTE AVANTI

Información del Producto 800-323 5029	Lo que sus preguntas son acerca de nuestros productos, hay ayuda disponible.
Pedidos de piezas 800-220 5570	Usted puede pedir piezas y accesorios que serán entregados directamente a su casa. Usted puede ordenar estos artículos por el cheque personal, giro postal, Master Card o Visa.
Servicio de reparación a domicilio 800-220 5570	Un centro de servicio Avanti Products proporcionará el servicio de reparación experto, programado a una hora que sea conveniente para usted. Nuestros técnicos conocen su aparato dentro y por fuera.

SÉCURITÉ APPLIANCE
Votre sécurité et celle des autres sont très importantes.

Nous avons fourni de nombreux messages de sécurité importants dans ce manuel et sur votre appareil. Toujours lire et respecter les consignes de sécurité.



C'est le symbole d'alerte de sécurité. Ce symbole vous signale les dangers potentiels qui peuvent tuer ou blesser vous et d'autres. Tous les messages de sécurité suivront le symbole de danger et soit la pupilles "DANGER", "AVERTISSEMENT" ou "ATTENTION".



Danger signifie que la non



Attention signifie que le non



Attention signifie que le non

Tous les messages de sécurité vous alerter sur ce danger potentiel et vous disent comment réduire le risque de blessure, et vous savez ce qui peut arriver si les instructions ne sont pas suivies.

 GAZ REFRIGERANT INFLAMMABLE 

DANGER - Risque d'incendie ou d'explosion. Réfrigérant inflammable utilisé.

NE PAS utiliser des dispositifs mécaniques pour dégivrer le réfrigérateur. NE PAS percer un tube réfrigérant.

DANGER - Risque d'incendie ou d'explosion. Réfrigérant inflammable utilisé. Pour être réparé que par du personnel qualifié. NE PAS percer un tube réfrigérant.

MISE EN GARDE - Risque d'incendie ou d'explosion. Réfrigérant inflammable utilisé. Consultez le guide de réparation manuelle / propriétaire avant de tenter de réparer ce produit. Toutes les mesures de sécurité doivent être suivies.

MISE EN GARDE - Risque d'incendie ou d'explosion. Éliminer des biens conformément aux règlements fédéraux ou locaux. Réfrigérant inflammable utilisé.

MISE EN GARDE - Risque d'incendie ou d'explosion due à la perforation du tuyau de réfrigérant. Suivez les instructions de manipulation avec soin. Réfrigérant inflammable utilisé.

MISE EN GARDE - Pour éviter qu'un enfant ne soit piégé, garder hors de portée des enfants et non à proximité du refroidisseur.

APPAREIL SÉCURITÉ



Avant est utilisé, il doit être correctement positionné et installé comme décrit dans ce manuel, afin de lire attentivement le manuel. Pour réduire le risque d'incendie, choc ou de blessure électrique lors de l'utilisation du appareil, Suivez les précautions de bases, comprenant les éléments suivants:

DANGER

- Brancher sur une 3 broches mise à la terre sortie, faire pas enlever la terre broches, faire pas utiliser un adaptateur, et ne pas utiliser une rallonge
- Remplacer tous les panneaux avant exploitation
- Il est recommandé d'utiliser un circuit distinct, qui sert uniquement votre appareil, fournir. Utilisez des récipients cette ne peut pas être désactivé par une chaîne de traction interrupteur ou
- Ne jamais nettoyer appareil pièces avec des liquides inflammables. Ces vapeurs peuvent créer un risque d'incendie or explosion. Et ne pas stocker ou utiliser de l'essence ou d'autres vapeurs et liquides inflammables à proximité de cet appareil ou de tout autre appareil. Les vapeurs peuvent créer un risque d'incendie ou d'explosion.
- Avant de procéder à des opérations de nettoyage et d'entretien, assurez-vous que la ligne d'alimentation de l'appareil est débranchée.
- Faire pas brancher ou débrancher la prise électrique lorsque vos mains sont humides
- Débranchez l'appareil ou déconnecter la alimentation avant le nettoyage ou l'entretien. Ne pas le faire peut entraîner un choc électrique ou la mort.
- Faire pas tenter de réparer ou de remplacer une partie de votre appareil à moins qu'il ne soit spécifiquement recommandé dans ce matériau. Toutes les autres réparations doivent être confiées à un technicien qualifié.

WARNING

- Utilisation deux personnes ou plus pour déplacer et installer l'appareil. Ne pas le faire peut entraîner dans le dos ou d'autres blessures.
- Pour assurer une bonne ventilation de votre appareil, l'appareil doit être complètement dégagé. Choisissez un endroit bien aéré avec des températures supérieures à 55°F (13°C) et au-dessous 90°F (32°C). Cet appareil doit être installé dans une zone protégée de l'élément, Comme le vent, la pluie, de l'eau pulvérisée ou lumière du soleil.
- l'appareil ne doit pas être situé à côté de fours, grilles ou autres sources de chaleur élevée.
- L'appareil doit être installé avec toutes les connexions électriques, d'eau et d'évacuation, conformément à codes étatiques et locaux. Une alimentation électrique standard (115 V CA seulement, 60 Hz), mise à la terre conformément au Code national de l'électricité et les codes et règlements locaux est nécessaire.
- Faire pas plier ou pincer le cordon d'alimentation du appareil.
- Le fusible (ou disjoncteur) doit être de 15 ampères.
- Il est important pour l'appareil soit à niveau afin de fonctionner correctement. Vous devrez peut-être faire plusieurs ajustements à niveler.
- Toute installation doit être conforme aux exigences du code de plomberie locale.
- Assurez-vous que les tuyaux ne sont pas pincés ou pliés ou endommagés au cours installation.
- Vérifier les fuites après connexion.
- Ne jamais laisser les enfants utiliser, jouer avec ou crawl à l'intérieur de l'appareil
- Faire pas utiliser de produits de nettoyage à base de solvants or abrasifs sur l'intérieur. Ces nettoyants peuvent endommager ou décolorer l'intérieur.
- Ne pas utiliser cet appareil pour d'autres fins que celles prévues.

AIDEZ-NOUS À VOUS AIDER ...

Lisez attentivement ce guide.

Il est destiné à vous aider à utiliser et à maintenir votre nouvel appareil correctement.

Gardez

Si vous ne comprenez pas quelque chose où vous avez besoin de plus d'aide, s'il vous plaît appelez:

**Avanti Service à la clientèle
800-220-5570**

Gardez preuve de la date d'achat d'origine (tel que votre bordereau de vente) avec ce guide pour établir la période de garantie.

MISE EN GARDE:

**CET APPAREIL EST PAS
CONÇU POUR LE STOCKAGE
DE MÉDECINE OU D'AUTRES
PRODUITS MÉDICAUX.**

Notez le modèle et le numéro de série.

Vous les trouverez sur une plaque située sur la paroi extérieure arrière de l'appareil.

S'il vous plaît écrire ces chiffres ici:

Date d'achat

Numéro de modèle

Numéro de série

Utilisez ces numéros dans toute correspondance ou appels de service concernant votre appareil.

Si vous avez reçu un appareil endommagé, contactez immédiatement le revendeur (ou le constructeur) qui vous a vendu l'appareil.

Gagnez du temps et de l'argent. Avant d'appeler le service, consultez le Guide de dépannage. Il énumère les causes des problèmes de fonctionnement mineurs que vous pouvez vous corriger.

SI VOUS AVEZ BESOIN DE SERVICE

Nous sommes fiers de notre service et nous voulons que vous soyez heureux. Si pour une raison quelconque vous n'êtes pas satisfait du service que vous recevez, voici quelques étapes à suivre pour obtenir de l'aide.

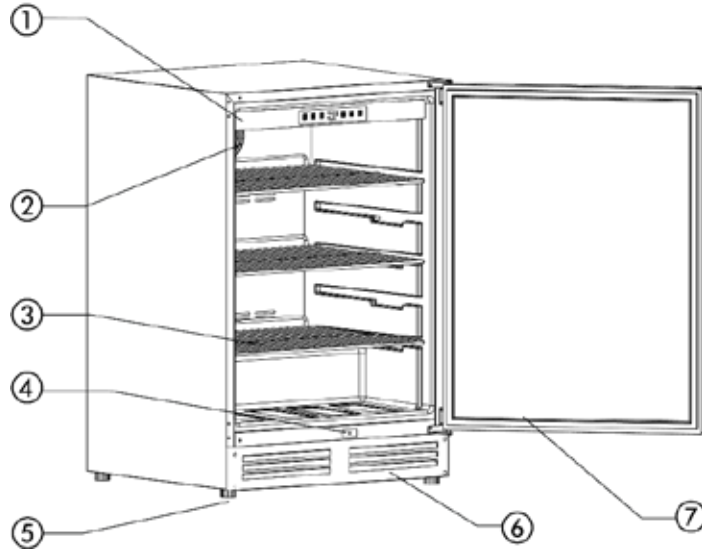
FIRST, contacter les gens qui ont réparé votre appareil. Expliquez pourquoi vous n'êtes pas satisfait. Dans la plupart des cas, cela va résoudre le problème.

Ensuite, si vous n'êtes toujours pas satisfait, écrivez tous les détails, y compris votre numéro de téléphone, et l'envoyer à:

**Service Clients
Avanti Produits
3265 Meridian Pkwy # 114
Weston, FL 33331 USA**

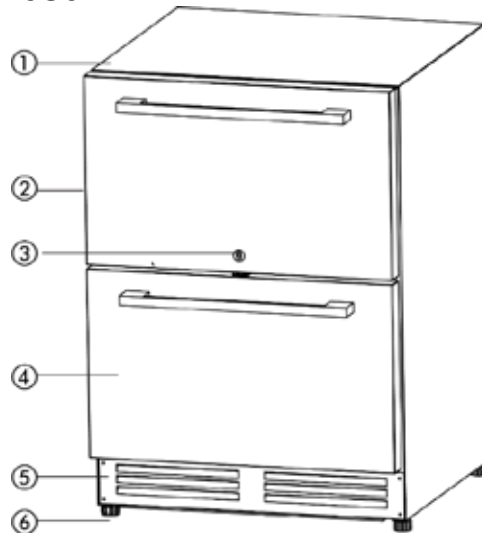
PIÈCES ET CARACTÉRISTIQUES

Modelos: OR543U3S / OR544U4G



1	Panneau de commande
2	Ventilateur intérieur
3	Étagères (3)
4	Interrupteur
5	Nivellement des jambes
6	Grille
7	Porte avec poignée

Modelo: OR525U5D



1	Cabinet
2	Tiroir supérieur avec poignée
3	Verrou de sécurité
4	Tiroir inférieur avec poignée
5	Grille avant
6	Pieds nivelants

INSTRUCTION DE SÉCURITÉ IMPORTANTES

~ ATTENTION ~	Pour réduire le risque d'incendie, d'électrocution ou de blessure lors de l'utilisation de votre réfrigérateur, suivre ces précautions de base:
----------------------	---

**Cette unité est à usage intérieur uniquement
- Conservez ces instructions -**

- Lisez toutes les instructions avant d'utiliser le réfrigérateur.
- **DANGER ou AVERTISSEMENT:** Risque d'enfermement des enfants. Piégeage des enfants et la suffocation ne sont pas des problèmes du passé. Les réfrigérateurs jetés ou abandonnés sont toujours dangereux. . . même si elles vont "rester assis dans le garage quelques jours".
- **Avant de jeter votre vieux réfrigérateur:** enlever les portes. Laissez les étagères en place afin que les enfants ne puissent pas grimper facilement à l'intérieur.
- Ne jamais laisser les enfants utiliser, jouer avec, ou ramper à l'intérieur du réfrigérateur.
- Ne jamais nettoyer réfrigérateur pièces avec des liquides inflammables. Les vapeurs peuvent créer un risque d'incendie ou d'explosion.
- Ne pas entreposer ou utiliser d'essence ou d'autres vapeurs et liquides inflammables à proximité de cet appareil ou tout autre réfrigérateur. Les vapeurs peuvent créer un risque d'incendie ou d'explosion.

INSTRUCTIONS D'INSTALLATION

Avant d'utiliser votre réfrigérateur

- Retirez l'emballage extérieur et intérieur.
- Avant de connecter l'appareil à la source d'alimentation, laissez Cela permettra de réduire la possibilité d'un mauvais fonctionnement du système de refroidissement lors de la manipulation durant le transport.
- Nettoyer la surface intérieure à l'eau tiède avec un chiffon doux.

Installation de votre réfrigérateur

- Cet appareil est conçu pour être posé libre ou encastrable
- Placez votre appareil sur un plancher qui est assez solide pour supporter quand elle est complètement chargée. Pour le niveau de votre appareil, régler le nivellement avant jambes au niveau du fond de l'Appareil.
- Localisez le Appliance loin de la lumière directe et des sources de chaleur (cuisinière, chauffage, radiateur, etc.). La lumière solaire directe peut affecter le revêtement acrylique et sources de chaleur peuvent augmenter la consommation électrique. Les températures ambiantes froides extrêmes peuvent aussi causer l'unité de ne pas fonctionner correctement.
- Branchez l'appareil dans une prise murale exclusive, bien installé à la terre. Ne pas en aucun cas réduire ou supprimer la troisième (terre) du cordon d'alimentation. Toute question concernant le pouvoir et / ou mise à la terre doivent être adressées à un électricien certifié ou un centre de service Avanti Produits autorisé.
- Éviter de placer le réfrigérateur dans les zones humides. Trop d'humidité dans l'air provoquera le gel pour former rapidement sur l'évaporateur nécessitant un dégivrage plus fréquent du réfrigérateur.

INVERSION DU SWING DE LA PORTE DE VOTRE RÉFRIGÉRATEUR

Ce réfrigérateur L'appareil est livré avec l'ouverture des portes du côté gauche. Si vous désirez inverser le sens d'ouverture, s'il vous plaît appelez le service pour obtenir des instructions d'inversion.

INSTRUCTIONS - DE CABINET (Encastrable)

Cet appareil est conçu pour les deux dans la construction ou la pose libre. Si vous prévoyez d'utiliser cet appareil dans une application intégrée s'il vous plaît suivre les exigences indiquées ci-dessous.

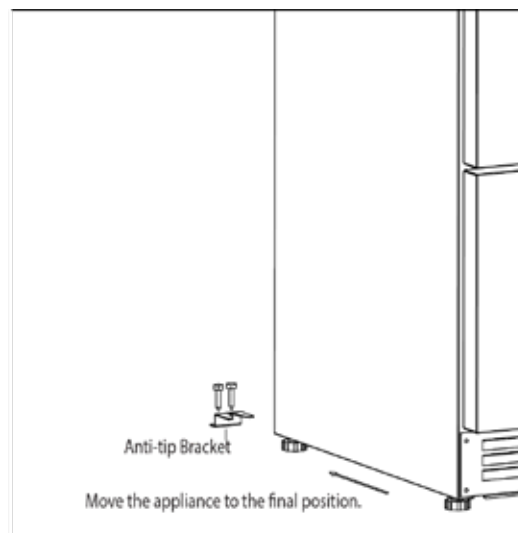
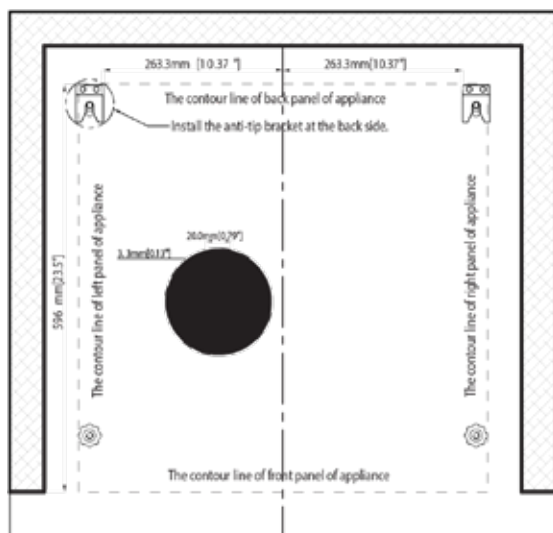
Dimensions d'ouverture		
	IN (min)	CM (min)
Largeur	25.7	65.5
Profondeur	29"	73.7
Hauteur	34 ½"	87.7

INSTALLATION DU SUPPORT ANTI-BASCULEMENT

Pour réduire le risque de basculement de l'appareil par une utilisation anormale ou un chargement incorrect, l'appareil doit être sécurisé en installant correctement le dispositif anti-basculément fourni avec l'appareil.

- Placez le support anti-basculément sur le sol comme indiqué sur la figure. Un support anti-basculément doit être installé des deux côtés.
- Marquez les emplacements des 4 trous du support anti-basculément sur le sol, reportez-vous au schéma d'emplacement.
- Utilisez un foret à maçonnerie et insérez des chevilles en plastique.
- Fixez le support au sol à l'aide de vis.
- Faites glisser l'appareil en position et assurez-vous que le pied s'engage dans le support anti-basculément.

REMARQUE : Si l'unité est déplacée, le support doit être retiré et installé au nouvel emplacement.



Connexion électrique

~ Attention ~

Une mauvaise utilisation de la prise de terre peut entraîner un risque de choc électrique. Si le cordon d'alimentation est endommagé, faites

Cet appareil doit être correctement mis à la terre pour votre sécurité. Le cordon d'alimentation de cet appareil est équipé d'une fiche à trois broches qui accouple avec trois standards prises murales broches afin de minimiser le risque de choc électrique.

Ne pas en aucun cas couper ou enlever la troisième broche de terre du cordon d'alimentation fourni.

Cet appareil nécessite une prise électrique standard 115Volts ~ / 60Hz avec le sol à trois broches.

Le cordon doit être fixé derrière l'appareil et non laissés exposés ou qui pendent pour prévenir les blessures accidentelles.

Ne jamais débrancher l'appareil en tirant sur le cordon d'alimentation. Toujours saisir fermement la fiche et tirez tout droit sorti de la prise.

Ne pas utiliser une rallonge avec cet appareil. Si le cordon d'alimentation est trop court, un technicien électricien ou technicien qualifié d'installer une prise près de l'appareil.

Ø RALLONGE ÉLECTRIQUE

En raison des risques potentiels pour la sécurité dans certaines conditions, il est fortement recommandé de ne pas utiliser une rallonge avec cet appareil.

Toutefois, si vous devez utiliser une rallonge, il est absolument nécessaire que ce soit un UL / CUL, 3 fils de terre appareil rallonge ayant une fiche de mise à la terre et à la sortie et que la puissance électrique du câble est de 115 volts et au moins 10 ampères.

Ø PARASURTENSEUR

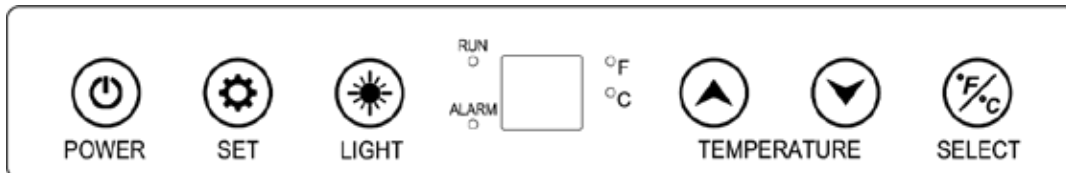
La plupart des appareils électriques utilisent une série de tableaux de commande électriques pour fonctionner. Ces cartes sont très sensibles aux surtensions et pourraient être endommagés ou détruits.


Si l'appareil va être utilisé dans une zone ou si votre ville / pays est sujette à des surtensions / coupures; il est suggéré que vous utilisez un dispositif de protection contre les surtensions pour tous les dispositifs / appareils électriques que vous utilisez. Le protecteur de surtension que vous sélectionnez doit avoir un bloc de poussée suffisamment élevé pour protéger l'appareil, il est connecté. Si vous avez des questions concernant le type et la taille d'un protecteur de surtension contact nécessaire à un électricien agréé dans votre région.

Les dommages dus à des surtensions ne sont pas considérés comme un fabricant couvert défaut et annulera la garantie du produit.


UTILISATION DE VOTRE APPAREIL

Il est recommandé que vous installiez l'appareil dans un endroit où la température ambiante se situe entre 60 - 90 degrés Fahrenheit. Si la température ambiante est supérieure ou inférieure à des températures recommandées, la performance de l'unité peut être affectée. Par exemple, en plaçant l'appareil dans des conditions extrêmes froides ou chaudes peut entraîner des températures intérieures fluctuer. La gamme de Fahrenheit 34-50 degrés Les ne peut pas être atteint.




 Vous pouvez sélectionner l'affichage de réglage de la température de Fahrenheit à degrés Celsius en appuyant sur le **°F/°C** bouton / marque. Fahrenheit ou Celsius degrés indicateur apparaîtra dans la fenêtre d'affichage de la température.

ON / OFF

 - Appuyez et maintenez pendant 2 secondes sur le panneau de commande pour activer ou désactiver le refroidisseur, lorsque refroidisseur est désactivé,

l'appareil cessera de fonctionner et le total arrêté.



RÉGLAGE DE LA LUMIÈRE

 - Il existe deux modes d'éclairage, maintenez la touche enfoncée pendant 3 secondes pour sélectionner le mode lumière.

1. La lumière sur et le mode: Le réglage par défaut de la lumière sera contrôlée par le capteur et lorsque la porte est ouverte, la lumière se met en marche automatiquement, lorsque la porte est fermée, la lumière sera désactivé.

RÉGLAGE DE LA TEMPÉRATURE

 - **Appuyez sur le bouton de réglage pour entrer dans le mode de réglage.**

- Appuyez sur  u  pour régler la température de l'appareil, et chaque pression sur la touche permet modifier la température de 1°C.

SOINS ET ENTRETIEN

Ø NETTOYAGE DE VOTRE CELLIER

- Coupez l'alimentation, débranchez l'appareil, et supprimer tous les éléments, y compris les tablettes.
- Laver les surfaces intérieures avec une solution d'eau et de bicarbonate de soude chaude. La solution devrait être d'environ 2 cuillères à soupe de bicarbonate de soude à un litre d'eau.
- Laver les étagères avec une solution de détergent doux.
- Essorez l'excès d'eau de l'éponge ou d'un chiffon lorsque la zone des commandes ou des pièces électriques de nettoyage.
- Lavez l'extérieur avec de l'eau chaude et un détergent liquide doux. Rincez bien et séchez avec un chiffon doux et propre.
- Ne pas utiliser de laine d'acier ou d'une brosse en acier sur l'acier inoxydable. Ceux-ci contaminé l'acier inoxydable avec des particules d'acier et la rouille peuvent se produire.

Ø PANNEAU ÉLECTRONIQUE

- La plupart des pannes de courant sont corrigées en quelques heures et ne devraient pas affecter la température de votre appareil si vous réduisez le nombre de fois que la porte est ouverte. Si la puissance va être hors service pendant une longue période de temps, vous devez prendre les mesures appropriées pour protéger vos contenus.

Ø Déplacer votre Cellier

- Retirez tous les éléments.
- Solidement ruban adhésif vers le bas tous les articles en vrac (tablettes) à l'intérieur de votre appareil.
- Collez la porte fermée.
- Assurez-vous que l'appareil reste bloqué en position verticale pendant le transport. Protégez également l'extérieur de l'appareil avec une couverture, ou un objet similaire.

Ø ÉCONOMISER DE L'ÉNERGIE

- Le Chiller vin doit être situé dans la zone la plus froide de la salle, loin des appareils produisant de la chaleur et de la lumière directe du soleil.

GUIDE DE DÉPANNAGE

Vous pouvez résoudre de nombreux problèmes réfrigérateur Essayez les suggestions ci

PROBLÈME	CAUSE POSSIBLE
Le réfrigérateur ne fonctionne pas.	Pas branché. Le disjoncteur est déclenché ou un fusible grillé.
Le réfrigérateur ne refroidit pas.	La puissance frigorifique est éteinte.
Compresseur allume et éteint fréquemment.	Batterie de condensation à l'arrière de l'appareil est sale. La température ambiante est plus chaude que la normale. Une grande quantité de nourriture a été ajouté au réfrigérateur. La porte est ouverte trop souvent. La porte ne se ferme pas complètement. Le contrôle de la température ne soit pas correct. Le joint de la porte ne se referme pas correctement. Le réfrigérateur ne possède pas les autorisations correctes. (5 "sur les deux côtés et à l'arrière de l'unité)
La lumière ne fonctionne pas.	Le disjoncteur de la maison ou le fusible a sauté. Le réfrigérateur est débranché. L'ampoule a brûlé (voir la section de maintenance pour la procédure de remplacement).
Vibrations.	Vérifiez pour assurer que le réfrigérateur est de niveau.
Le réfrigérateur semble faire trop de bruit.	Le bruit de cliquetis peut provenir de l'écoulement du fluide frigorigène, ce qui est normal. Comme chaque cycle se termine, vous pouvez entendre des gargouillis causés par l'écoulement du fluide frigorigène dans votre réfrigérateur. Contraction et expansion des parois internes peuvent provoquer des craquements et des. Le réfrigérateur est pas de niveau.
La porte ne se ferme pas correctement.	Le réfrigérateur est pas de niveau. Les portes ont été inversés et non correctement installés. Le joint est sale. Les étagères, bacs ou paniers sont hors de position.

SERVICE POUR VOTRE APPAREIL

Nous sommes fiers de notre organisation de service à la clientèle et le réseau de techniciens de services professionnels qui offrent des services sur vos appareils Avanti. Avec l'achat de votre appareil Avanti, vous pouvez avoir la certitude que si vous avez besoin d'informations ou de l'aide de l'équipe de service à la clientèle Avanti Products sera là pour vous. Appelez-nous sans frais.

AVANTI PRODUITS SERVICES CLIENTS

Information produit 800-323 5029	Quelles que soient vos questions sur nos produits, l'aide est disponible.
Les commandes de la pièce 800-220 5570	Vous pouvez commander des pièces et accessoires qui seront livrés directement à votre domicile. Vous pouvez commander ces articles par chèque personnel, mandat, Master Card ou Visa.
Service de réparation à domicile 800-220 5570	Un centre de service Avanti Produits autorisé fournira un service de réparation expert, prévue à un moment qui vous convient. Nos réparateurs formés connaissent votre appareil à l'intérieur et à l'extérieur.

<p align="center">VOS PRODUITS AVANTI GARANTIE</p>	<p>Staple votre reçu de vente ici. Preuve de la date d'achat originale est nécessaire pour obtenir un service sous garantie.</p>
<p><u>CE QUI EST COUVERT</u> Avanti Products garantit que le produit est exempt de défauts de matériaux et / ou de fabrication pour une période de douze (12) mois à compter de la date d'achat par le propriétaire initial. La durée commence à courir à la date d'achat, et ne sera pas retardée, restreinte, prolongée ou suspendu pour quelque raison que ce soit, sauf si décrit en détail dans le document de garantie. Pendant un an à compter de la date d'achat par le propriétaire d'origine, les produits Avanti seront, à sa discrétion, réparer ou remplacer toute partie du produit qui se révèle être un défaut de matériau ou de fabrication dans une utilisation normale. Avanti Products vous fournira un produit raisonnablement semblable nouveau ou remis à neuf. Au cours de cette période Avanti Products fournira toutes les pièces et la main En usage locatif ou commercial, la période de garantie est de 90 jours. Tous les appareils Avanti de 4,2 pieds cubes la capacité ou moins doivent être traduits / envoyé au centre de service de l'appareil pour la réparation.</p>	
<p><u>DEUXIÈME LIMITÉE À LA CINQUIÈME ANNÉE GARANTIE</u> Pour la deuxième à la cinquième année à partir de la date d'achat originale, Avanti Products fournira un compresseur de remplacement gratuit en raison d'un échec. Vous êtes responsable de la main En usage locatif ou commercial, la garantie du compresseur est limitée à un an et neuf mois. Les coûts impliqués pour déplacer le produit au centre de service et de retour à la maison de l'utilisateur, comme peut</p>	
<p><u>EXCLUSIONS DE LA GARANTIE / NON COUVERTS:</u> La couverture de la garantie décrite ici exclut tous les défauts ou les dommages qui ne sont pas la faute directe de Avanti Products, y compris, sans limitation, un ou plusieurs des éléments suivants:</p>	
<ul style="list-style-type: none"> • Un non • Les forces externes, élémentaires et / ou l'environnement et les facteurs, y compris, sans s'y limiter, la pluie, le vent, le sable, les inondations, les incendies, les coulées de boue, des températures de congélation, l'humidité excessive ou à une exposition prolongée à l'humidité, la foudre, les surtensions, les défaillances structurelles entourant l'appareil, et les actes de Dieu. • Les pertes de contenu de la nourriture ou d'autres contenus en raison de la détérioration. • Les dommages accessoires ou consécutifs • Pièces et coûts de main <ul style="list-style-type: none"> • Portes évaporateurs, ressorts de la porte, et / ou des cadres. • Panneaux intérieurs de portes, des étagères de porte, rails de porte, et / ou supports de porte. • Les ampoules et / ou boîtier en plastique. • Doublures d'armoires en plastique. • Poncture évaporateur annule la garantie sur le système scellé complet. 	<ul style="list-style-type: none"> • Les frais de transport et de manutention associés au remplacement de l'unité. • Les réparations effectuées par réparateurs non autorisés. • Les appels de service qui sont liés à des problèmes externes, tels que l'abus, l'alimentation électrique inadéquate, les accidents, les incendies, les inondations, ou tout autre acte de Dieu. • Une panne du produit si elle est utilisée pour autre chose que son intention but. • La garantie ne couvre pas en dehors de la Continental USA. • Surtaxes, y compris mais sans s'y limiter, toute après heure, les appels
<p>En aucun cas, Avanti Products toute responsabilité ou responsabilité pour les dommages aux biens environnants, y compris les armoires, les planchers, les plafonds, et d'autres structures et / ou des objets autour du produit. Sont également exclus de cette garantie sont les égratignures, les entailles, les bosses mineures, et d'autres dommages esthétiques sur les surfaces externes et les parties exposées; Produits dont les numéros de série ont été modifiés, effacés ou supprimés; visites de service pour l'éducation à la clientèle, ou des visites où il n'y a rien de mal avec le produit; correction des problèmes d'installation (vous êtes seul responsable de toute structure et réglage pour le produit, y compris tous les systèmes électriques, de plomberie et / ou d'autres installations de raccordement, pour le bon plancher / fondation, et pour toute modification, y compris sans s'y limiter les armoires, les murs, les planchers, les étagères etc., ainsi que la remise à zéro des disjoncteurs ou fusibles.</p>	
<p><u>HORS DE LA GARANTIE DU PRODUIT</u> Avanti Products est soumis à aucune obligation, en droit ou autrement, de vous fournir toutes les concessions, y compris les réparations, les pro</p>	

GARANTIE - REFRIGERATION - COMPRESSEUR

Registration Information

Thank you for purchasing this fine Avanti product. Please fill out this form and return it to the following address within 100 days from the date of purchase and receive these important benefits:

Avanti Products, LLC.
3265 Meridian Pkwy # 114 – Weston, Florida 33331

Protect your product:

We will keep the model number and date of purchase of your new Avanti product on file to help you refer to this information in the event of an insurance claim such as fire or theft.

Promote better products:

We value your input. Your responses will help us develop products designed to best meet your future needs.

------(detach here)-----

--

Avanti Registration Card

Name	Model #	Serial #
Address	Date Purchased	Store / Dealer Name
City State Zip	E-mail Address	
Area Code Phone Number	Occupation	
Did You Purchase An Additional Warranty	As your Primary Residence, Do You:	
<input type="checkbox"/> Extended <input type="checkbox"/> None	<input type="checkbox"/> Own <input type="checkbox"/> Rent	
Reason for Choosing This Avanti Product: Please indicate the most important factors That influenced your decision to purchase this product:	Your Age:	
<input type="checkbox"/> Price <input type="checkbox"/> Product Features <input type="checkbox"/> Avanti Reputation <input type="checkbox"/> Product Quality <input type="checkbox"/> Salesperson Recommendation <input type="checkbox"/> Friend / Relative Recommendation <input type="checkbox"/> Warranty <input type="checkbox"/> Other: _____	<input type="checkbox"/> under 18 <input type="checkbox"/> 18-25 <input type="checkbox"/> 26-30 <input type="checkbox"/> 31-35 <input type="checkbox"/> 36-50 <input type="checkbox"/> over 50	
Comments:	Marital Status: <input type="checkbox"/> Married <input type="checkbox"/> Single	
	Is This Product Used In The: <input type="checkbox"/> Home <input type="checkbox"/> Business	
	How Did You Learn About This Product: <input type="checkbox"/> Advertising <input type="checkbox"/> In-Store Demo <input type="checkbox"/> Personal Demo	

OR543U3S / OR544U4G / OR525U5D
12/22/2021

PRINTED IN CHINA