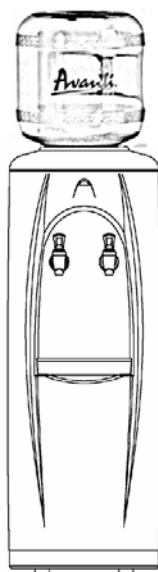




Model / Modelo / Modelé:	WD360
WATER DISPENSER	INSTRUCTION MANUAL
DISPENSADOR DE AGUA	MANUAL DE INSTRUCCIONES
DISPENSATEUR D' EAU	MANUEL D'INSTRUCTIONS



BEFORE USE, PLEASE READ AND FOLLOW ALL SAFETY RULES AND OPERATING INSTRUCTIONS.

Avanti has a policy of continuous improvement on its products and reserves the right to change materials and specifications without notice.

**Avanti Products LLC
P.O. Box 520604
Miami, FL 33152
www.avantiproducts.com**

TABLE OF CONTENTS

Help Us Help You	5
Parts and Features	6
Important Safety Instructions	7 – 8
Installation Instructions	9 – 10
Before Using Your Appliance	11
Operating Your Appliance	12
Care and Maintenance	12
Taking your Appliance out of service	12
Troubleshooting Guide	13
Service for Your Appliance	13
Your Avanti Products Warranty	14
Instrucciones en Español	15 – 16
Instructions en Français	17 – 25
Registration Information and Registration Card	Last Page

HELP US HELP YOU

Read this guide carefully.

It is intended to help you operate and maintain your new water dispenser properly.

Keep it handy to answer your questions. If you don't understand something or you need more assistance, please call:

Avanti Customer Service
800-220-5570

Keep proof of original purchase date (such as your sales slip) with this guide to establish the warranty period.

Write down the model and serial numbers.

You'll find them on a label located on the back side of the unit.

Please write these numbers here:

Date of Purchase

Model Number

Serial Number

Use these numbers in any correspondence or service calls concerning your water dispenser.

If you received a damaged water dispenser, immediately contact the dealer (or builder) that sold you the water dispenser.

Save time and money. Before you call for service, check the Trouble Shooting Guide. It lists causes of minor operating problems that you can correct yourself.

IF YOU NEED SERVICE

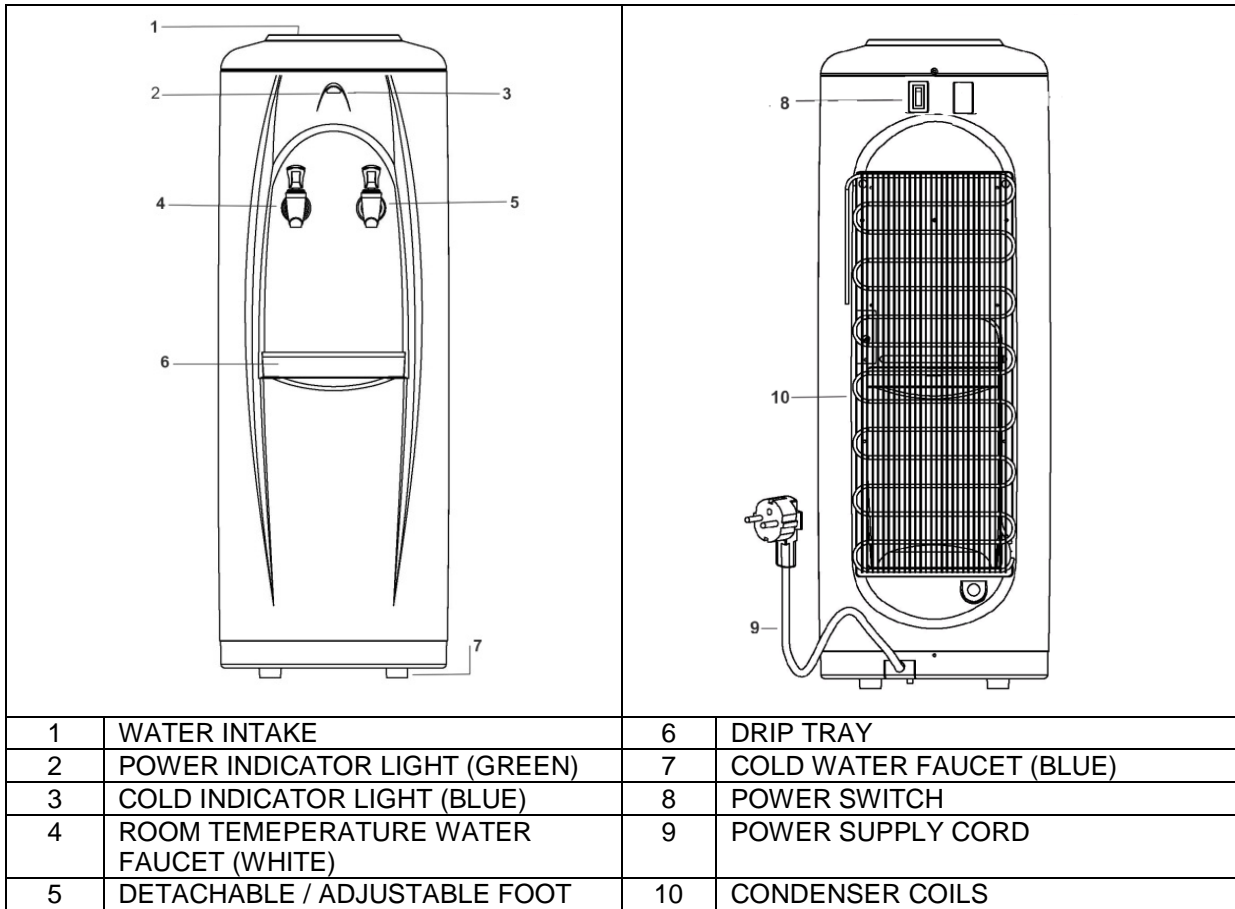
We're proud of our service and want you to be pleased. If for some reason you are not happy with the service you receive, here are some steps to follow for further assistance.

FIRST, contact the people who serviced your appliance. Explain why you are not pleased. In most cases, this will solve the problem.

NEXT, if you are still not pleased, write all the details, including your telephone number, and send it to:

Customer Service
Avanti Products
10880 NW 30 Street
Miami, FL 33172

PARTS AND FEATURES



APPLIANCE SAFETY

Your safety and the safety of others are very important.

We have provided many important safety messages in this manual and on your appliance. Always read and obey all safety messages.



This is the Safety Alert Symbol. This symbol alerts you to potential hazards that can kill or injure you and others.

All safety messages will follow the Safety Alert Symbol and either the words "DANGER", "WARNING" or "CAUTION".



Danger means that failure to heed this safety statement may result in severe personal injury or death.



Warning means that failure to heed this safety statement may result in extensive product damage, serious personal injury, or death.

CAUTION

Caution means that failure to heed this safety statement may result in minor or moderate personal injury, or property or equipment damage.

All safety messages will alert you to what the potential hazard is, tell you how to reduce the chance of injury, and let you know what can happen if the instructions are not followed.

IMPORTANT SAFEGUARDS



Before the beverage cooler is used, it must be properly positioned and installed as described in this manual, so read the manual carefully. To reduce the risk of fire, electrical shock or injury when using the beverage cooler, follow basic precautions, including the following:

⚠ DANGER ⚠

- Plug into a grounded 3-prong outlet, do not remove grounding prong, do not use an adapter, and do not use an extension cord
- Replace all panels before operating
- It is recommended that a separate circuit, serving only your beverage cooler, be provided. Use receptacles that cannot be turned off by a switch or pull chain
- Never clean appliance parts with flammable fluids. These fumes can create a fire hazard or explosion. And do not store or use gasoline or other flammable vapors and liquids in the vicinity of this or any other appliance. The fumes can create a fire hazard or explosion.
- Before proceeding with cleaning and maintenance operations, make sure the power line of the unit is disconnected.
- Do not connect or disconnect the electric plug when your hands are wet
- Unplug the appliance or disconnect the power before cleaning or servicing. Failure to do so can result in electrical shock or death.
- Do not attempt to repair or replace any part of your appliance unless it is specifically recommended in this material. All other servicing should be referred to a qualified technician.

⚠ WARNING ⚠

- Use two or more people to move and install the appliance. Failure to do so can result in back or other injury.
- To ensure proper ventilation for your appliance, the unit must be completely unobstructed. Choose a well-ventilated area with temperatures above 55°F (13°C) and below 90°F (32 °C). This unit must be installed in an area protected from the elements, such as wind, rain, water spray or sunlight.
- The appliance should not be located next to ovens, grills or other sources of high heat.
- The appliance must be installed with all electrical, water and drain connections in accordance with state and local codes. A standard electrical supply (115 V AC only, 60 Hz), properly grounded in accordance with the National Electrical Code and local codes and ordinances is required.
- Do not kink or pinch the power supply cord of the appliance.
- The fuse (or circuit breaker) size should be 15 amperes.
- It is important for the appliance to be leveled in order to work properly. You may need to make several adjustments to level it.
- All installation must be in accordance with local plumbing code requirements.
- Make certain that the pipes are not pinched or kinked or damaged during installation.
- Check for leaks after connection.
- Never allow children to operate, play with or crawl inside the appliance
- Do not use solvent-based cleaning agents or abrasives on the interior. These cleaners may damage or discolor the interior.
- Do not use this apparatus for other than its intended purpose.

INSTALLATION GUIDELINES:

- Remove the exterior and interior packing.
- Place your appliance on a floor that is strong enough to support the dispenser when it is fully loaded. If it does not sit level on the floor, adjust the front right foot to level the unit well to the floor. Note: Only the front right foot is adjustable.
- Locate the appliance away from direct sunlight and sources of heat (stove, heater, radiator, etc.). Direct sunlight may affect the acrylic coating and heat sources may increase electrical consumption. Extreme cold ambient temperatures may also cause the appliance not to perform properly.
- **ALLOW 5 INCHES OF SPACE BETWEEN THE WATER DISPENSER AND THE WALL, WHICH ALLOWS THE PROPER AIR CIRCULATION TO COOL THE COMPRESSOR.**
- Plug the appliance into an exclusive properly installed-grounded wall outlet. Do not under any circumstances cut or remove the third (ground) prong from the power cord. Any questions concerning power and/or grounding should be directed toward a certified electrician or an authorized Avanti Products service center.
- This water dispenser is not recommended for outdoor use.
- Do not locate the dispenser in area where the temperature may fall below freezing (32° F).
- Keep area around dispenser free of dust and dirt.
- Keep the reserve supply of water bottles away from excessive heat and light.
- Never unplug the water cooler, except for maintenance.

Height Adjustment

- Unit is provided with four feet extensions, if you wish to make the unit taller, just attach all four parts to the bottom feet by placing them on existing feet and pushing firmly to ensure a tight fit. Unit will be slightly taller. The adjustable foot can still be used for leveling after the extension part is inserted.

Electrical Connection

⚡Warning⚡

Improper use of the grounded plug can result in the risk of electrical shock. If the power cord is damaged, have it replaced by an authorized Avanti Products service center.

This appliance should be properly grounded for your safety. The power cord of this appliance is equipped with a three-prong plug which mates with standard three prong wall outlets to minimize the possibility of electrical shock.

Do not under any circumstances cut or remove the third ground prong from the power cord supplied.

This appliance requires a standard 115Volts~/60Hz electrical outlet with three-prong ground.

The cord should be secured behind the appliance and not left exposed or dangling to prevent accidental injury.

Never unplug the appliance by pulling the power cord. Always grip the plug firmly and pull straight out from the receptacle.

Do not use an extension cord with this appliance. If the power cord is too short, have a qualified electrician or service technician install an outlet near the appliance.

➤ **EXTENSION CORD**

Because of potential safety hazards under certain conditions, it is strongly recommended that you do not use an extension cord with this unit. However, if you must use an extension cord it is absolutely necessary that it be a UL/CUL-Listed, 3-wire grounding type appliance extension cord having a grounding type plug and outlet and that the electrical rating of the cord be 115 volts and at least 10 amperes.

➤ **surge protector**

Most electrical appliances use a series of electric control boards to operate. These boards are very susceptible to power surges and could be damaged or destroyed.

If the appliance is going to be used in an area or if your city / country is prone to power surges / outages; it is suggested that you use a power surge protector for all electrical devices / appliances you use. The surge protector that you select must have a surge block high enough to protect the appliance it is connected to. If you have any questions regarding the type and size of surge protector needed contact a licensed electrician in your area.

Damages due to power surges are not considered a manufacturer covered defect and will void your product warranty.

OPERATION INSTRUCTIONS:

Before Using Your Water Dispenser

- Check to be sure the following parts are included:
 - 4 Extra Cup Dispenser Cabinet Plugs
 - 4 extra drain seals
 - Accessories Order Form.
 - 4 height adjustment foot extensions

- Before connecting the appliance to the power source, let it stand upright for approximately 2 hours. This will reduce the possibility of a malfunction in the cooling system from handling during transportation.
- The water dispenser is pre-cleaned at the factory but the reservoir and water lines must be flushed with fresh water before use as follows:
 - Keep the unit unplugged.
 - Fill water tank with tap water full to capacity (more than 3/4 of a gallon). Wait for 5 minutes until water settles.
 - Press the room temperature water faucet until water comes out, then stop.
 - Plug the dispenser into the electrical outlet. We are ready to complete the first cycle. In order to do that, wait for approximately 40 minutes for the cold water to reach its designed temperature.
 - Unplug the dispenser from the electrical outlet. Proceed to drain the water from the faucets one at a time until no more water remains.
(Note: To facilitate this operation, use a large container).
 - Then, drain any water left in the tanks by opening both water faucets until it drains completely.
 - Place the 3-5 gallon bottle of water on the water intake, allow water to stand for approximately one minute.
 - Turn on water faucets to insure water flows from both faucets.
 - Plug dispenser back into the electrical outlet.
 - Now you are ready to use your water dispenser.

NOTE: Your water dispenser has been cleaned and sanitized before leaving the factory, but in case a taste problem develops, place one tablespoon of baking soda and add tap water. Fill water tank again and repeat basic operations previously outlined.

⚡ WARNING ⚡

IMPROPER USE OF THE GROUNDED PLUG CAN RESULT IN THE RISK OF ELECTRICAL SHOCK. IF THE POWER CORD IS DAMAGED, HAVE IT REPLACED BY AN AUTHORIZED AVANTI PRODUCTS SERVICE CENTER.

OPERATING YOUR WATER DISPENSER

Steps to replace water bottles

- Use a clean cloth to wipe off neck of bottle.
- Remove cap.
- Carefully lift bottle (approx. 40 lbs.) using your legs and not your back. Do not place hands on opening of bottle while placing in reservoir.
- Insert the water bottle on the water intake over reservoir opening so it settles properly on it.
- Wipe off any water which may have splashed on dispenser top.

Cold Water Control

To turn on the cooling operation, use the power switch at the back of the unit. The green (power) indicator will be lit as the cooling process begins. Once the water reaches the appropriate temperature the blue (cold) indicator will turn on and will remain lit until the unit starts the cooling process again.

Cup Dispenser (Optional)

A cup dispenser may be installed by using the mounting holes (covered with plastic caps) located near the top of the right side panel of the cooler. The cup dispenser comes equipped with a mounting bracket and screws and may be ordered by completing the enclosed order form provided with your instruction manual.

CARE AND MAINTENANCE

- Wash the inside of the reservoir with a warm water and baking soda solution. The solution should be about 2 tablespoons of baking soda to a quart of water.
- The drip tray and water faucets should be cleaned with mild detergent and warm water.
- At regular intervals or once a month inspect the coils located across the back of the dispenser. Vacuum accumulation of dust or clean it with a hard brush.

TAKING DISPENSER OUT OF SERVICE

- If the water dispenser will not be used for a long period of time, unplug the power cord from the wall outlet.
- Drain the water through the faucets.
- Drain the water from the tanks by removing the plug from the water drain on the back of the dispenser.
- Unit should not be transported on the sides. Place it upright if possible and cover it with a blanket.

PROBLEMS WITH YOUR WATER DISPENSER?

You can solve many common water dispenser problems easily, saving you the cost of a possible service call. Try the suggestions outlined below to see if you can solve the problem before calling the servicer.

TROUBLESHOOTING GUIDE

PROBLEM	POSSIBLE CAUSE
Water dispenser does not operate.	Not plugged in. The circuit breaker tripped or a blown fuse.
Water cooler is not cold enough.	The water dispenser does not have the correct clearances.
Compressor turns on and off frequently.	The room temperature is hotter than normal. The temperature control is not set correctly. The water dispenser does not have the correct clearances.
Vibrations.	Check to assure that the water dispenser is level.
The water dispenser seems to make too much noise.	The rattling noise may come from the flow of the refrigerant, which is normal. As each cycle ends, you may hear gurgling sounds caused by the flow of refrigerant in your water dispenser. Contraction and expansion of the inside walls may cause popping and crackling noises. The water dispenser is not level.

SERVICE FOR YOUR WATER DISPENSER

We are proud of our customer service organization and the network of professional service technicians that provide service on your Avanti appliances. With the purchase of your Avanti appliance, you can be confident that if you ever need additional information or assistance, the Avanti Products Customer Service team will be here for you. Just call us toll-free.

AVANTI PRODUCTS CUSTOMER SERVICES

Product Information 800-323-5029	Whatever your questions are about our products, help is available.
Part Orders 800-220-5570	You may order parts and accessories that will be delivered directly to your home by personal check, money order, Master Card, or Visa.
In-Home Repair Service 800-220-5570	An Avanti Products authorized service center will provide expert repair service, scheduled at a time that is convenient for you. Our trained servicers know your appliance inside and out.

YOUR AVANTI PRODUCTS WARRANTY	Staple your sales receipt here. Proof of original purchase date is needed to obtain service under warranty.
--------------------------------------	-------------------------------------------------------------------------------------------------------------

WHAT IS COVERED – LIMITED ONE-YEAR WARRANTY

Avanti Products warrants that the product is free from defects in materials and/or workmanship for a period of twelve (12) months from the date of purchase by the original owner. The foregoing timeline begins to run upon the date of purchase, and shall not be stalled, tolled, extended, or suspended for any reason whatsoever unless described in detail in the warranty document. For one year from the date of purchase by the original owner, Avanti products will, at its option, repair or replace any part of the product which proves to be defective in material or workmanship under normal use. Avanti Products will provide you with a reasonably similar product that is either new or factory refurbished. During this period Avanti Products will provide all parts and labor necessary to correct such defects free of charge, so long as the product has been installed and operated in accordance with the written instructions in this manual. In rental or commercial use, the warranty period is 90 days. All Avanti appliances of 4.2 cubic feet capacity or less must be brought/sent to the appliance service center for repair.

LIMITED SECOND THROUGH FIFTH YEAR WARRANTY

For the second through the fifth year from the date of original purchase, Avanti Products will provide a replacement compressor free of charge due to a failure. You are responsible for the service labor and freight charges. In rental or commercial use, the limited compressor warranty is one year and nine months. Costs involved to move the product to the service center and back to the user's home, as maybe required, are the user's responsibility.

WARRANTY EXCLUSIONS / WHAT IS NOT COVERED:

The warranty coverage described herein excludes all defects or damage that are not the direct fault of Avanti Products, including without limitation, one or more of the following:

- | | |
|-------------------------------------------------------------------------------------------------------------------------------------------------------------------------------------------------------------------------------------------------------------------------------------------------------------------------------------------------------------------------------------------------------------------------------------------------------------------------------------------------------------------------------------------------------------------------------------------------------------------------------------------|-------------------------------------------------------------------------------------------------------------------------------------------------------------------------------------------------------------------------------------------------------------------------------------------------------------------------------------------------------------------------------------------------------------------------------------------------------------------------------------------------------------------------------------------------------------------------------------------------------------------------------------------------------------------------------------------------------------|
| <ul style="list-style-type: none"> ● A failure to comply with any applicable state, local, city, or county electrical, plumbing and/or building codes, regulations, or laws, including failure to install the product in strict conformity with local fire and building codes and regulations. ● Any external, elemental and/or environmental forces and factors, including without limitation, rain, wind, sand, floods, fires, mud slides, freezing temperatures, excessive moisture or extended exposure to humidity, lightning, power surges, structural failures surrounding the appliance, and acts of God. | <ul style="list-style-type: none"> ● Shipping and handling costs associated with the replacement of the unit. ● Repairs performed by unauthorized servicers. ● Service calls that are related to external problems, such as abuse, misuse, inadequate electrical power, accidents, fire, floods, or any other acts of God. ● Failure of the product if it is used for other than it intended purpose. ● The warranty does not apply outside the Continental USA. ● Surcharges including but not limited to, any after hour, weekend, or holiday service calls, tolls, ferry trip charges, or mileage expense for service calls to remote areas. |
|-------------------------------------------------------------------------------------------------------------------------------------------------------------------------------------------------------------------------------------------------------------------------------------------------------------------------------------------------------------------------------------------------------------------------------------------------------------------------------------------------------------------------------------------------------------------------------------------------------------------------------------------|-------------------------------------------------------------------------------------------------------------------------------------------------------------------------------------------------------------------------------------------------------------------------------------------------------------------------------------------------------------------------------------------------------------------------------------------------------------------------------------------------------------------------------------------------------------------------------------------------------------------------------------------------------------------------------------------------------------|

In no event shall Avanti Products have any liability or responsibility whatsoever for damage to surrounding property, including cabinetry, floors, ceilings, and other structures and/or objects around the product. Also excluded from this warranty are scratches, nicks, minor dents, and other cosmetic damages on external surfaces and exposed parts; Products on which the serial numbers have been altered, defaced or removed; service visits for customer education, or visits where there is nothing wrong with the product; correction of installation problems (you are solely responsible for any structure and setting for the product, including all electrical, plumbing and/or other connecting facilities, for proper foundation/flooring, and for any alterations including without limitation cabinetry, walls, floors, shelving etc., as well as the resetting of breakers or fuses.

OUT OF WARRANTY PRODUCT

Avanti Products is under no obligation, at law or otherwise, to provide you with any concessions, including repairs, pro-rates, or product replacement, once this warranty has expired.

WARRANTY – REFRIGERATION - COMPRESSOR

INSTRUCCIONES EN ESPAÑOL

PASOS RECOMENDADOS PARA CAMBIAR EL BOTELLON

- quite el botellon vacio.
- limpie el cuello del botellon nuevo con un paño limpio.
- levante el botellon haciendo fuerza con las piernas y no la espalda.
- tome el botellon por los lados y dirija el cuello del mismo hacia la apertura del tanque.
- volteee el botellon como si fuera a soltar agua e inserte el cuello del botellon en la apertura del tanque hasta que se coloque en la posicion correcta.

IMPORTANTE

CUANDO REEMPLACE EL BOTELLÓN, ABRA EL GRIFO DE AGUA CALIENTE Y ELIMINE NO MENOS DE 4 VASOS LLENOS DE AGUA PARA ASEGURAR EL PASO DE EL AGUA A TRAVES DE LA UNIDAD Y QUE EL NIVEL DEL AGUA LLEGUE AL NIVEL APROPIADO.

DIRECCIONES BASICAS DE OPERACION:

- coloque el enfriador de pie por un periodo de 2 horas antes de enchufar la unidad a la pared.
- coloque el enfriador en un area bien ventilada y deje un espacio de un poco mas de 2 pulgadas entre la unidad y la pared.
- escoja un lugar con piso nivelado.
- no coloque el enfriador donde la temperatura ambiental pueda bajar de 32°F (0°C).

ANTES DE ENCHUFARLO

AUNQUE ENFRIADOR SALE LIMPIO DE LA FABRICA, DEBE LIMPIAR Y ESTERILIZAR LOS CONDUCTOS DEL TANQUE Y LOS GRIFOS DE ACUERDO A LOS SIGUIENTES PASOS:

- llene el tanque de agua (hasta el tope) con agua de la pila.
- deje nivelar el agua por 5 minutos.
- abra la llave de agua caliente hasta que salga agua y cierre inmediatamente.
- enchufe la unidad a el receptaculo 120VAC en la pared, encienda el interruptor situado en la parte trasera de la unidad, simultaneamente el indicador de agua fria se encendera.
 - espere aproximadamente 25 min. hasta que el indicador de agua fria se apague. la unidad esta lista para su uso.
- tome el botellon de agua y siga las instrucciones para cambiar el botellon.
- enchufe la unidad. ahora su enfriador esta listo para su uso.

CONTROLES DE OPERACION

CONTROL DE AGUA FRIA

Para activar la operación de enfriamiento, use el interruptor que se encuentra en la parte posterior de la unidad. La luz indicadora de encendido (Verde) se iluminará cuando empiece el proceso de enfriamiento. Una vez que el agua alcance la temperatura indicada, la luz indicadora (azul) se iluminará y permanecerá encendida hasta que la unidad empiece el proceso de enfriamiento otra vez.

MANTENIMIENTO

- A INTERVALOS REGULARES (UNA VEZ AL MES), INSPECCIONE EL CONDENSADOR O REJILLA DE ALAMBRE LOCALIZADA EN LA PARTE TRASERA DE LA UNIDAD.
- ANTES DE EFECTUAR LA LIMPIEZA, DESENCHUFE EL ENFRIADOR. USE UNA ASPIRADORA O UN CEPILLO DURO PARA QUITAR EL POLVO.
- PARA LIMPIAR LAS PARTES DE PLASTICO SE REQUIERE JABON LIQUIDO Y AGUA TIBIA. NO USE LIMPIADORES ABRASIVOS EN LA SUPERFICIE SUPERIOR NI EN LA BANDEJA DE ESCURRIMIENTO.

SI NO VA A USAR EL ENFRIADOR POR UN TIEMPO PROLONGADO

- DESENCHUFE LA UNIDAD.
- quite el botellon de agua.
-
- EL ENFRIADOR DEBE TRANSPORTARSE PARADO Y CUBIERTO CON UNA FRAZADA PARA EVITAR QUE SE RAYE.

CENTRO DE SERVICIOS

LA MAYORIA DE LOS PROBLEMAS SE RESUELVEN CON UNA SIMPLE LLAMADA TELEFONICA A NUESTRO NUMERO SIN CARGO.

1-800-220-5570

ANTES DE DEVOLVER EL PRODUCTO O PARA OBTENER LA DIRECCION Y NUMERO DE TELEFONO DEL CENTRO DE SERVICIO MAS CERCANO LLAME AL SIGUIENTE NUMERO.

1-800-220-5570

POSIBLES PROBLEMAS

CAUSA

DERRAME DE AGUA POR FUERA DEL ENFRIADOR.	LA BOTELLA ESTA PERFORADA – REEMPLACELA.
EL AGUA NO ESTA SUFICIENTEMENTE FRIA.	SU TEMPERATURA DEBERIA SER DE 5° A 7° C CON UNA TEMPERATURA AMBIENTE DE 20° C. SI NO ES ASI, LLAME AL CENTRO DE SERVICIO, EL TERMOSTATO PODRIA ESTAR DEFECTUOSO.
EL ENFRIADOR NO ENFRIA EL AGUA.	VERIFIQUE LOS CIRCUITOS, FUSIBLES O DISYUNTORES.

APPAREIL SÉCURITÉ

Votre sécurité et celle des autres sont très importantes.

Nous avons fourni de nombreux messages de sécurité importants dans ce manuel et sur votre appareil. Toujours lire et obéir à tout message de sécurité.



C'est le symbole d'alerte de sécurité. Ce symbole vous signale les dangers potentiels peut tuer ou blesser vous et d'autres. Tout sécurité messages suivra la sécurité symbole d'alerte et soit les quartiers " DANGER", "ATTENTION" ou "PRUDENCE".



Danger signifie que le non-respect de cette déclaration de sécurité peut entraîner des blessures ou la mort.



Attention signifie que le non-respect de cette déclaration de sécurité peut entraîner des dommages importants du produit, des blessures graves ou la mort.

CAUTION

Attention signifie que le non-respect de cette déclaration de sécurité peut entraîner des mineures ou modérées blessures, ou des biens ou des dommages matériels.

Tout message de sécurité vous alertera à quel est le danger potentiel et vous disent comment réduire le risque de blessure, et vous permettent de savoir ce qui peut arriver si les instructions ne sont pas suivies.

APPAREIL SÉCURITÉ



Avant le refroidisseur de breuvages est utilisé, il doit être correctement positionné et installé comme décrit dans ce manuel, afin de lire attentivement le manuel. Pour réduire le risque d'incendie, choc ou de blessure électrique lors de l'utilisation du refroidisseur de breuvages, Suivez les précautions de bases, comprenant les éléments suivants:

DANGER

- Brancher sur une 3 broches mise à la terre sortie, faire pas enlever la terre broches, faire pas utiliser un adaptateur, et ne pas utiliser une rallonge
- Remplacer tous les panneaux avant exploitation
- Il est recommandé d'utiliser un circuit distinct, qui sert uniquement votre refroidisseur de breuvages, fournir. Utilisez des récipients cette ne peut pas être désactivé par une chaîne de traction interrupteur ou
- ne jamais nettoyer appareil pièces avec des liquides inflammables. Ces vapeurs peuvent créer un risque d'incendie or explosion. Et ne pas stocker ou utiliser de l'essence ou d'autres vapeurs et liquides inflammables à proximité de cet appareil ou de tout autre appareil. Les vapeurs peuvent créer un risque d'incendie ou d'explosion.
- Avant de procéder à des opérations de nettoyage et d'entretien, assurez-vous que la ligne d'alimentation de l'appareil est débranchée.
- Faire pas brancher ou débrancher la prise électrique lorsque vos mains sont humides
- Débranchez le appareil ou déconnecter la alimentation avant le nettoyage ou l'entretien. Ne pas le faire peut entraîner un choc électrique ou la mort.
- Faire pas tenter de réparer ou de remplacer une partie de votre appareil à moins qu'il ne soit spécifiquement recommandé dans ce matériau. Toutes les autres réparations doivent être confiées à un technicien qualifié.

WARNING

- Utilisation deux personnes ou plus pour déplacer et installer l'appareil. Ne pas le faire peut entraîner dans le dos ou d'autres blessures.
- Pour assurer une bonne ventilation de votre appareil, l'appareil doit être complètement dégagé. Choisissez un endroit bien aéré avec des températures supérieures à 55°F (13°C) et au-dessous 90°F (32°C). Cet appareil doit être installé dans une zone protégée de l'élément, Comme le vent, la pluie, de l'eau pulvérisée ou lumière du soleil.
- l'appareil ne doit pas être situé à côté de fours, grilles ou autres sources de chaleur élevée.
- L'appareil doit être installé avec toutes les connexions électriques, d'eau et d'évacuation, conformément à codes étatiques et locaux. Une alimentation électrique standard (115 V CA seulement, 60 Hz), mise à la terre conformément au Code national de l'électricité et les codes et règlements locaux est nécessaire.
- Faire pas plier ou pincer le cordon d'alimentation du appareil.
- Le fusible (ou disjoncteur) doit être de 15 ampères.
- Il est important pour l'appareil soit à niveau afin de fonctionner correctement. Vous devrez peut-être faire plusieurs ajustements à niveler.
- Toute installation doit être conforme aux exigences du code de plomberie locale.
- Assurez-vous que les tuyaux ne sont pas pincés ou pliés ou endommagés au cours installation.
- Vérifier les fuites après connexion.
- Ne jamais laisser les enfants utiliser, jouer avec ou crawl à l'intérieur de l'appareil
- Faire pas utiliser de produits de nettoyage à base de solvants or abrasifs sur l'intérieur. Ces nettoyeurs peuvent endommager ou décolorer l'intérieur.
- Ne pas utiliser cet appareil pour d'autres fins que celles prévues.

DIRECTIVES D'INSTALLATION:

- Retirez l'emballage extérieur et intérieur.
- Placez votre appareil sur un sol qui est assez solide pour supporter le distributeur lorsqu'il est complètement chargé. Si elle ne siège pas au niveau sur le sol, ajustez le pied avant droit au niveau de l'unité et à l'étage. Remarque: Seul le pied avant droit est réglable.
- Repérez l'appareil loin de la lumière du soleil directe et des sources de chaleur (cuisinière, chauffage, radiateur, etc.). La lumière solaire directe peut affecter le revêtement acrylique et sources de chaleur peuvent augmenter la consommation électrique. Les températures ambiantes froides extrêmes peuvent aussi causer l'appareil de ne pas fonctionner correctement.
- Prévoir 2 pouces d'espace entre le distributeur d'eau et le mur, ce qui permet la circulation de l'air pour refroidir le compresseur.
- Branchez l'appareil dans une prise murale correctement installée à la terre exclusive. Ne pas en aucun cas réduire ou supprimer la troisième (terre) du cordon d'alimentation. Toute question concernant le pouvoir et / ou mise à la terre doit être orientée vers un électricien certifié ou un centre de service Avanti Produits autorisé.
- Ce distributeur d'eau n'est pas recommandé pour une utilisation en extérieur.
- Ne pas placer le distributeur dans un endroit où la température peut tomber en dessous de zéro (32° F).
- Garder la zone autour de distributeur exempt de poussière et de la saleté.
- Gardez l'alimentation de réserve de bouteilles d'eau loin de la chaleur excessive et de la lumière.
- Ne débranchez jamais le refroidisseur d'eau, sauf pour l'entretien.

Réglage de la hauteur

- L'unité est munie de quatre pieds extensions, si vous souhaitez rendre l'unité plus grande, il suffit de connecter les quatre parties aux pieds en bas, en les plaçant sur les pieds existants et en poussant fermement pour assurer un ajustement serré. Unité sera légèrement plus grande. Le pied réglable peut encore être utilisé pour niveler après la partie d'extension est insérée.

Connexion électrique

⚡ Attention ⚡

Une mauvaise utilisation de la prise de terre peut entraîner un risque de choc électrique. Si le cordon d'alimentation est endommagé, faites-le remplacer par un centre de service Avanti Products autorisé.

Cet appareil doit être correctement mis à la terre pour votre sécurité. Le cordon d'alimentation de cet appareil est équipé d'une fiche à trois broches qui accouple avec trois standards prises murales broches afin de minimiser le risque de choc électrique.

Ne pas en aucun cas couper ou enlever la troisième broche de terre du cordon d'alimentation fourni.

Cet appareil nécessite une prise électrique standard 115Volts ~ / 60Hz avec le sol à trois broches.

Le cordon doit être fixé derrière le appareil et non laissés exposés ou qui pendent pour prévenir les blessures accidentelles.

Ne jamais débrancher l'appareil en tirant sur le cordon d'alimentation. Toujours saisir fermement la fiche et tirez tout droit sorti de la prise.

Ne pas utiliser une rallonge avec cet appareil. Si le cordon d'alimentation est trop court, demandez à un électricien qualifié ou un technicien de service installer une prise près d'appareil.

➤ RALLONGE ÉLECTRIQUE

En raison des risques potentiels pour la sécurité dans certaines conditions, il est fortement recommandé de ne pas utiliser une rallonge avec cet appareil. Toutefois, si vous devez utiliser une rallonge, il est absolument nécessaire que ce soit un UL / CUL, 3 fils de terre appareil rallonge ayant une fiche de mise à la terre et à la sortie et que la puissance électrique du câble est de 115 volts et au moins 10 ampères.

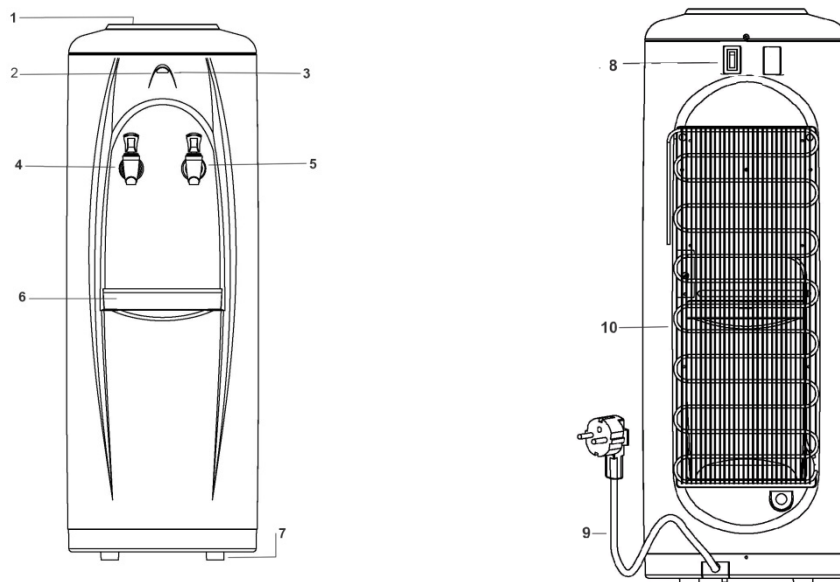
➤ parasurtenseur

La plupart des appareils électriques utilisent une série de tableaux de commande électriques pour fonctionner. Ces cartes sont très sensibles aux surtensions et pourraient être endommagés ou détruits.

Si l'appareil va être utilisé dans une zone ou si votre ville / pays est sujette à des surtensions / coupures; il est suggéré que vous utilisez un dispositif de protection contre les surtensions pour tous les dispositifs / appareils électriques que vous utilisez. Le protecteur de surtension que vous sélectionnez doit avoir un bloc de poussée suffisamment élevé pour protéger l'appareil, il est connecté. Si vous avez des questions concernant le type et la taille d'un protecteur de surtension contact nécessaire à un électricien agréé dans votre région.

Les dommages dus à des surtensions ne sont pas considérés comme un fabricant couvert défaut et annulera la garantie du produit.

PIÈCES ET CARACTÉRISTIQUES



1. ADMISSION DE L'EAU
2. PUISSANCE VOYANT (VERT)
3. INDICATEUR LUMIERE FROIDE (BLUE)
4. SALLE D'EAU DE TEMPÉRATURE ROBINET (BLANC)
5. FOOT DETACHABLE / RÉGLABLE
6. BAC DE RÉCUPÉRATION
7. EAU FROIDE ROBINET (BLEU)
8. INTERRUPTEUR
9. CORDON D'ALIMENTATION
10. COILS CONDENSATEUR

INSTRUCTIONS D'UTILISATION:

Avant d'utiliser votre distributeur d'eau

- Vérifiez que les éléments suivants sont inclus:
 - 4 extra Cup Dispenser Plugs Cabinet
 - 4 joints de vidange supplémentaires
 - Accessoires Formulaire de commande.
 - 4 rallonges de pied de réglage en hauteur
- Avant de raccorder l'appareil à la source d'alimentation, laissez-le tenir debout pendant environ 2 heures. Cela permettra de réduire la possibilité d'un mauvais fonctionnement du système de refroidissement lors de la manipulation durant le transport.
- Le distributeur d'eau est pré-nettoyé à l'usine, mais les lignes de réservoir et de l'eau doit être rincé à l'eau douce avant de l'utiliser comme suit:
 - Gardez l'appareil débranché.
 - Remplir le réservoir d'eau avec de l'eau du robinet à pleine capacité (plus de 3/4 d'un gallon). Attendez 5 minutes jusqu'à ce que l'eau se dépose.
 - Appuyez sur l'eau du robinet de la température ambiante jusqu'à ce que l'eau sorte, puis arrêter.
 - Branchez le distributeur dans la prise électrique. Nous sommes prêts à compléter le premier cycle. Pour ce faire, attendre environ 40 minutes pour l'eau froide pour atteindre sa température conçue.
 - Débranchez le distributeur de la prise électrique. Passez à drainer l'eau des robinets, un à la fois jusqu'à ce que plus d'eau reste.
(Remarque: Pour faciliter cette opération, utiliser un grand récipient).
 - Ensuite, égoutter l'eau dans les réservoirs en ouvrant à la fois robinets jusqu'à ce qu'elle se décharge complètement.
 - Placez la bouteille d'eau 3-5 gallon sur la prise d'eau, laisser l'eau reposer pendant environ une minute.
 - Allumez les robinets d'eau pour assurer des débits d'eau des deux robinets.
 - Branchez distributeur dans la prise électrique.
 - Maintenant, vous êtes prêt à utiliser votre distributeur d'eau.

REMARQUE: Votre distributeur d'eau a été nettoyé et désinfecté avant de quitter l'usine, mais dans le cas où un problème de goût se développe, placez une cuillère à soupe de bicarbonate de soude et ajouter de l'eau du robinet. Remplir le réservoir d'eau à nouveau et répétez les opérations de base décrites précédemment.

⚡ ATTENTION ⚡

MAUVAISE UTILISATION DE LA PRISE AVEC TERRE PEUT ENTRAÎNER DANS LE RISQUE DE CHOC ÉLECTRIQUE. SI LE CORDON D'ALIMENTATION EST ENDOMMAGÉ, FAIRE REMPLACER PAR UNE PRODUITS AVANTI AGREES UN SERVICE CENTRE.

UTILISATION DE VOTRE DISTRIBUTEUR D'EAU

Étapes pour remplacer les bouteilles d'eau

- Utilisez un chiffon propre pour essuyer goulot de la bouteille.
- Retirer le bouchon.
- Soulevez délicatement la bouteille (env. 40 lbs.) en utilisant vos jambes et non votre dos. Ne pas mettre les mains sur l'ouverture de la bouteille tout en plaçant dans le réservoir.
- Insérez la bouteille d'eau sur la prise d'eau sur l'ouverture du réservoir de sorte qu'il se mette en place sur elle.
- Essuyez toute l'eau qui peut avoir éclaboussé sur le dessus du distributeur.

Contrôle de l'eau froide

Pour activer l'opération de refroidissement, utiliser l'interrupteur d'alimentation à l'arrière de l'appareil. Le (alimentation) vert sera allumé que le processus de refroidissement commence. Une fois que l'eau atteint la température appropriée le bleu indicateur (froid) se met en marche et reste allumé jusqu'à ce que l'appareil commence à nouveau le processus de refroidissement.

Coupe du distributeur (Facultatif)

Un distributeur de gobelets peut être installé en utilisant les trous de montage (recouverts de bouchons en plastique) situés près de la partie supérieure du panneau latéral droit du refroidisseur. Le distributeur de gobelets est équipé d'un support de montage et les vis et peut être commandé en remplissant le formulaire de commande ci-joint fourni avec votre manuel d'instruction.

SOINS ET ENTRETIEN

- Laver l'intérieur du réservoir avec une solution d'eau et de bicarbonate de soude chaude. La solution devrait être d'environ 2 cuillères à soupe de bicarbonate de soude à un litre d'eau.
- Le bac d'égouttage et les robinets d'eau doivent être nettoyés avec un détergent doux et de l'eau chaude.
- A intervalles réguliers, ou une fois par mois inspecter les bobines situées dans le dos du distributeur. l'accumulation de vide de poussière ou de le nettoyer avec une brosse dure.

PRENANT DISTRIBUTEUR DE SERVICE

- Si le distributeur d'eau ne sera pas utilisé pendant une longue période de temps, débranchez le cordon d'alimentation de la prise murale.
- Videz l'eau à travers les robinets.
- Videz l'eau des réservoirs en retirant le bouchon de la vidange de l'eau à l'arrière du distributeur.
- Unité ne doit pas être transportée sur les côtés. Placez-le en position verticale si possible et couvrir si avec une couverture.

PROBLÈMES AVEC VOTRE DISTRIBUTEUR D'EAU?

Vous pouvez résoudre de nombreux problèmes de distribution d'eau courante facilement, vous permet d'économiser le coût d'un appel de service possible. Essayez les suggestions présentées ci-dessous pour voir si vous pouvez résoudre le problème avant d'appeler le réparateur.

GUIDE DE DÉPANNAGE

PROBLÈME	CAUSE POSSIBLE
Le distributeur d'eau ne fonctionne pas.	Non branché. Le disjoncteur est déclenché ou un fusible grillé.
refroidisseur d'eau est pas assez froid.	Le distributeur d'eau ne possède pas les autorisations correctes.
Compresseur allume et éteint fréquemment.	La température ambiante est plus chaude que la normale. Le contrôle de la température ne soit pas correct. Le distributeur d'eau ne possède pas les autorisations correctes.
Vibrations.	Vérifiez pour assurer que le distributeur d'eau est de niveau.
Le distributeur d'eau semble faire trop de bruit.	Le bruit de cliquetis peut provenir de l'écoulement du fluide frigorigène, ce qui est normal. Comme chaque cycle se termine, vous pouvez entendre des gargouillis causés par l'écoulement du réfrigérant dans votre distributeur d'eau. Contraction et expansion des parois internes peuvent provoquer des craquements et des. Le distributeur d'eau n'est pas de niveau.

SERVICE POUR VOTRE DISTRIBUTEUR D'EAU

Nous sommes fiers de notre organisation de service à la clientèle et le réseau de techniciens de services professionnels qui offrent des services sur vos appareils Avanti. Avec l'achat de votre appareil Avanti, vous pouvez être sûr que si vous avez besoin d'informations ou de l'aide, l'équipe du service à la clientèle Avanti Products sera là pour vous. Appelez-nous sans frais.

AVANTI PRODUITS SERVICES CLIENTS

Information produit 800-323-5029	Quelles que soient vos questions sur nos produits, l'aide est disponible.
Les commandes de la pièce 800-220-5570	Vous pouvez commander des pièces et accessoires qui seront livrés directement à votre domicile par chèque personnel, mandat, Master Card ou Visa.
In-Home Repair Service 800-220-5570	Un centre de service Avanti Produits autorisé fournira un service de réparation expert, prévue à un moment qui vous convient. Nos réparateurs formés connaissent votre appareil à l'intérieur et à l'extérieur.

VOS GARANTIE AVANTI PRODUCTS	Staple votre reçu de vente ici. Preuve de la date d'achat originale est nécessaire pour obtenir un service sous garantie.
CE QUI EST COUVERT - GARANTIE LIMITÉE D'UN AN	
<p>Avanti Products garantit que le produit est exempt de défauts de matériaux et / ou de fabrication pour une période de douze (12) mois à compter de la date d'achat par le propriétaire initial. La durée commence à courir à la date d'achat, et ne sera pas retardée, restreinte, prolongée ou suspendu pour quelque raison que ce soit, sauf si décrit en détail dans le document de garantie. Pendant un an à compter de la date d'achat par le propriétaire d'origine, les produits Avanti seront, à sa discrétion, réparer ou remplacer toute partie du produit qui se révèle être un défaut de matériau ou de fabrication dans une utilisation normale. Avanti Products vous fournira un produit raisonnablement semblable nouveau ou remis à neuf. Au cours de cette période Avanti Products fournira toutes les pièces et la main-d'œuvre nécessaires pour corriger ces défauts gratuitement, aussi longtemps que le produit a été installé et utilisé conformément aux instructions écrites dans ce manuel. En usage locatif ou commercial, la période de garantie est de 90 jours. Tous les appareils Avanti de 4,2 pieds cubes la capacité ou moins doivent être traduits / envoyé au centre de service de l'appareil pour la réparation.</p>	
DEUXIÈME LIMITÉE À LA CINQUIÈME ANNÉE GARANTIE	
<p>Pour la deuxième à la cinquième année à partir de la date d'achat originale, Avanti Products fournira un compresseur de remplacement gratuit en raison d'un échec. Vous êtes responsable de la main-d'œuvre et de fret de service. En usage locatif ou commercial, la garantie du compresseur est limitée à un an et neuf mois. Les coûts impliqués pour déplacer le produit au centre de service et de retour à la maison de l'utilisateur, comme peut-être nécessaire, sont à la charge de l'utilisateur.</p>	
EXCLUSIONS DE LA GARANTIE / NON COUVERTS:	
<p>La couverture de la garantie décrite ici exclut tous les défauts ou les dommages qui ne sont pas la faute directe de Avanti Products, y compris, sans limitation, un ou plusieurs des éléments suivants:</p>	
<ul style="list-style-type: none"> • Un non-respect de tout État applicable, local, ville, ou du comté électricité, plomberie et / ou des codes du bâtiment, des règlements ou des lois, y compris le défaut d'installer le produit en stricte conformité avec le feu et les codes du bâtiment et les règlements locaux. • Les forces externes, élémentaires et / ou l'environnement et les facteurs, y compris, sans s'y limiter, la pluie, le vent, le sable, les inondations, les incendies, les coulées de boue, des températures de congélation, l'humidité excessive ou à une exposition prolongée à l'humidité, la foudre, les surtensions, les défaillances structurelles entourant l'appareil, et les actes de Dieu. 	<ul style="list-style-type: none"> • Les réparations effectuées par réparateurs non autorisés. • Les appels de service qui sont liés à des problèmes externes, tels que l'abus, l'alimentation électrique inadéquate, les accidents, les incendies, les inondations, ou tout autre acte de Dieu. • Une panne du produit si elle est utilisée pour autre chose que son intention but. • La garantie ne couvre pas en dehors de la Continental USA. • Surtaxes, y compris mais sans s'y limiter, toute après heure, les appels week-end, ou de services de vacances, les péages, les frais de voyage de convoyage ou les frais de kilométrage pour les appels de service dans les régions éloignées.
<ul style="list-style-type: none"> • les pertes de contenu de la nourriture ou d'autres contenus en raison de la détérioration. • Les dommages accessoires ou consécutifs • Pièces et coûts de main-d'œuvre pour les éléments suivants ne seront pas considérés comme garantie: <ul style="list-style-type: none"> • portes évaporateurs, ressorts de la porte, et / ou des cadres. • panneaux intérieurs de portes, des étagères de porte, rails de porte, et / ou supports de porte. • Les ampoules et / ou boîtier en plastique. • doublures d'armoires en plastique. • Poncture évaporateur annule la garantie sur le système scellé complet. • Les frais de transport et de manutention associés au remplacement de l'unité. 	
<p>En aucun cas, Avanti Products toute responsabilité ou responsabilité pour les dommages aux biens environnants, y compris les armoires, les planchers, les plafonds, et d'autres structures et / ou des objets autour du produit. Sont également exclus de cette garantie sont les égratignures, les entailles, les bosses mineures, et d'autres dommages esthétiques sur les surfaces externes et les parties exposées; Produits dont les numéros de série ont été modifiés, effacés ou supprimés; visites de service pour l'éducation à la clientèle, ou des visites où il n'y a rien de mal avec le produit; correction des problèmes d'installation (vous êtes seul responsable de toute structure et réglage pour le produit, y compris tous les systèmes électriques, de plomberie et / ou d'autres installations de raccordement, pour le bon plancher / fondation, et pour toute modification, y compris sans s'y limiter les armoires, les murs, les planchers, les étagères etc., ainsi que la remise à zéro des disjoncteurs ou fusibles.</p>	
HORS DE LA GARANTIE DU PRODUIT	
<p>Avanti Products est soumis à aucune obligation, en droit ou autrement, de vous fournir toutes les concessions, y compris les réparations, les pro-taux, ou le remplacement du produit, une fois la garantie expirée.</p>	
GARANTIE - REFRIGERATION - COMPRESSEUR	

Registration Information

Thank you for purchasing this fine Avanti product. Please fill out this form and return it to the following address within 100 days from the date of purchase and receive these important benefits:

Avanti ProductsLLC.
P.O.Box 520604 – Miami, Florida 33152

➤ **Protect your product:**

We will keep the model number and date of purchase of your new Avanti product on file to help you refer to this information in the event of an insurance claim such as fire or theft.

➤ **Promote better products:**

We value your input. Your responses will help us develop products designed to best meet your future needs.

------(detach here)-----

Avanti Registration Card

Name			Model #	Serial #
Address			Date Purchased	Store / Dealer Name
City	State	Zip	E-mail Address	
Area Code	Phone Number		Occupation	
Did You Purchase An Additional Warranty			As your Primary Residence, Do You:	
<input type="checkbox"/> Extended <input type="checkbox"/> None			<input type="checkbox"/> Own <input type="checkbox"/> Rent	
Reason for Choosing This Avanti Product: Please indicate the most important factors That influenced your decision to purchase this product:			Your Age:	
<input type="checkbox"/> Price <input type="checkbox"/> Product Features <input type="checkbox"/> Avanti Reputation <input type="checkbox"/> Product Quality <input type="checkbox"/> Salesperson Recommendation <input type="checkbox"/> Other: _____ <input type="checkbox"/> Friend / Relative Recommendation <input type="checkbox"/> Warranty <input type="checkbox"/> Other: _____			<input type="checkbox"/> under 18 <input type="checkbox"/> 18-25 <input type="checkbox"/> 26-30 <input type="checkbox"/> 31-35 <input type="checkbox"/> 36-50 <input type="checkbox"/> over 50	
			Marital Status:	
			<input type="checkbox"/> Married <input type="checkbox"/> Single	
			Is This Product Used In The:	
			<input type="checkbox"/> Home <input type="checkbox"/> Business	
			How Did You Learn About This Product:	
			<input type="checkbox"/> Advertising <input type="checkbox"/> In-Store Demo <input type="checkbox"/> Personal Demo	
Comments:				

