

**33" BOWDON DOUBLE
BOWL FARMER SINK**

Cat. No
FSGDB4526



W: 33"
D: 20"
H: 10"

Features:

- ▶ Crafted from natural granite
- ▶ Easy to clean
- ▶ Polished back and sides
- ▶ Each basin are the same size 50/50 offset
- ▶ Each individual stone sink is unique and varies
- ▶ Standard 3½" drain opening fits most drains and disposals
- ▶ We recommend sealing with StoneTech sealer before use
- ▶ Optional **UMSPT** support sold separately
- ▶ Unpolished naturally chiseled apron front
- ▶ No faucet holes
- ▶ Available in 2 finishes
- ▶ Flange extension required

Finishes:

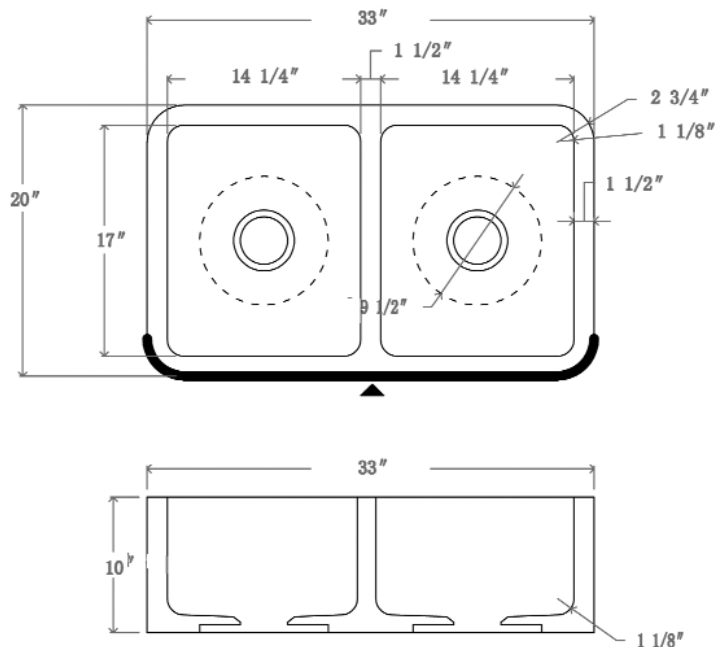
GPBL Polished Black Granite

***Please do NOT cut hole without template or actual product.**

Interior Dimensions:

Each Basin:

Basin Interior: 14-¼" W x 17" D
Basin Depth: 8"



Dimensions of fixture are nominal and may vary slightly. Dimensions and specifications subject to change without notice.