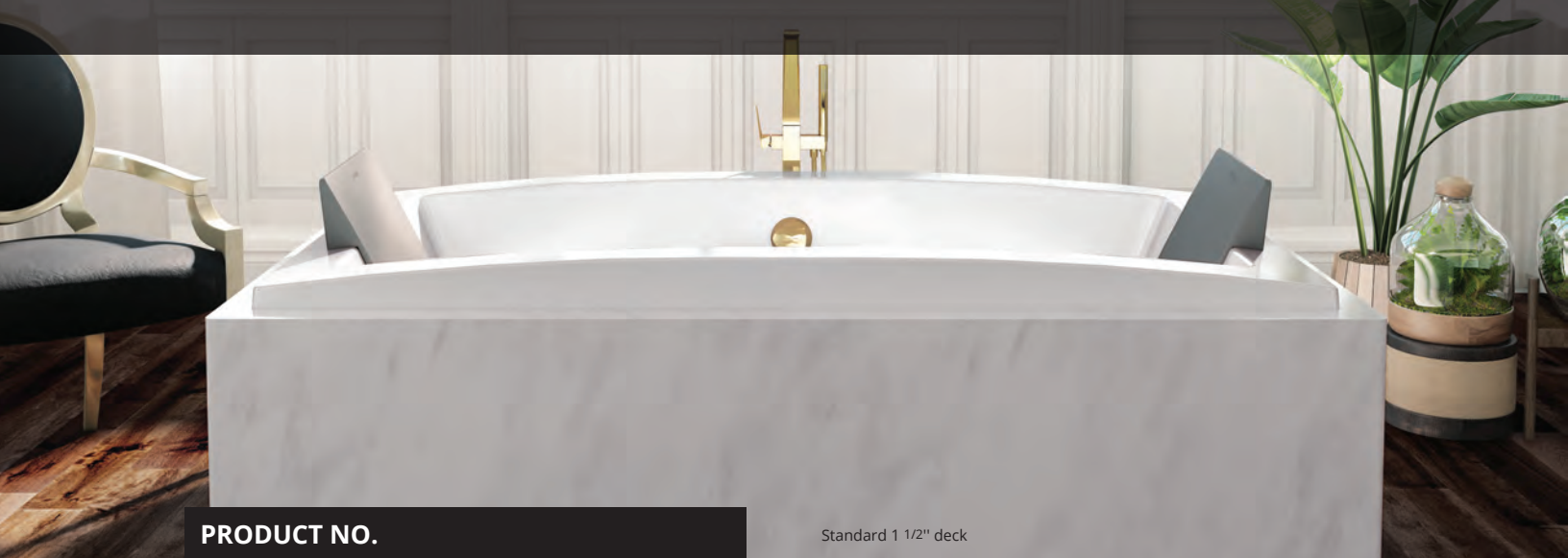


# INUA 7240

72" x 40" x 23"

In Inuit spirituality Inua means "everything that lives." INUA is the universal soul that unites all things in nature.



## PRODUCT NO.

Standard 1 1/2" deck

MODEL	TMU	TUB
Standard 1 1/2" deck	BINURD00T-XX	BINURD00N-XX
Slim deck 1/2"	BINURD10T-XX	BINURD10N-XX

THERMOMASSEUR (TMU) Hydro-thermo massage • Air jet system	\$8,500
Jets	58
1 heated backrest	Included
MiaPlus® Control	Included
BU-Touch Control Application <b>BUTOUCH</b>	\$430
Geysair®	Included
AromaCloud® <b>BAROMAC</b>	\$490
AromaFlow** <b>BAROMAF</b> <b>NEW</b>	\$950
Illuzio Chromatherapy <b>BCHRO6</b>	\$925
2 <sup>nd</sup> heated backrest (WTS-1 zone) <b>BSHB</b>	\$1,125

TUB Soaker	\$5,470
AromaCloud® <b>BAROMAC</b>	\$490
AromaFlow** <b>BAROMAF</b> <b>NEW</b>	\$950
Illuzio Chromatherapy <b>BCHRO6</b>	\$925
WarmTouchShell® <b>BWTS</b>	\$1,125
DOT control	Included with therapy
2 <sup>nd</sup> WarmTouchShell® <b>BWTS2</b>	\$370

## FEATURES

Installation type		Drop-in	
No. of bathers	2	Inverted V	2
US gallons	67	Armrests	4
Imp. gallons	56	Grab bars (color match)	2
Raised seats	2	Comfort Cushion (specify color: Grey or Black)	2

## STANDARD COLOR

White <b>01</b>	Biscuit <b>02</b>	Included
-----------------	-------------------	----------

## OPTIONS (UPCHARGE APPLICABLE)

### FINISH

UltraVelour Matte Finish (white only) **BVEL1** \$650

### CLEAR ACRYLIC GRAB BARS **BGBG10-XX**

With Chrome **07** or Brushed Nickel **09** inserts \$60

### WASTE & OVERFLOW

16" x 35" **BOVER16-XX**

INTE-GRATED **BOVERIN-XX**

Chrome <b>07</b>	\$260	\$235
White <b>01</b> , Biscuit <b>02</b>	\$290	\$235
Matte White with UltraVelour finish <b>32</b>	N/A	\$235
Brushed Nickel <b>09</b> , Polished Nickel <b>10</b>	\$400	\$235
Oil-rubbed Bronze <b>11</b>	\$400	N/A
Matte Black <b>19</b> , Satin Brass <b>18</b>	N/A	\$355

### IF REQUIRED BY CONSTRUCTION CODE

Brass waste & overflow kit* <b>BDRCOB</b>	\$240
Brass waste kit* <b>BDRCB</b>	\$60
16" x 35" Cable driven brass waste & overflow kit <b>BOVERBR</b>	\$240



Don't forget to specify the deck height (1/2" or 1 1/2"). Faucet must be installed on the deck flat surface.

\* When ordered with integrated waste & overflow.

\*\* When ordering an AromaFlow, an Integrated waste & overflow is mandatory (Upcharge). Specify the finish of the waste.

With the AromaFlow, the included Grab Bars can not be installed.



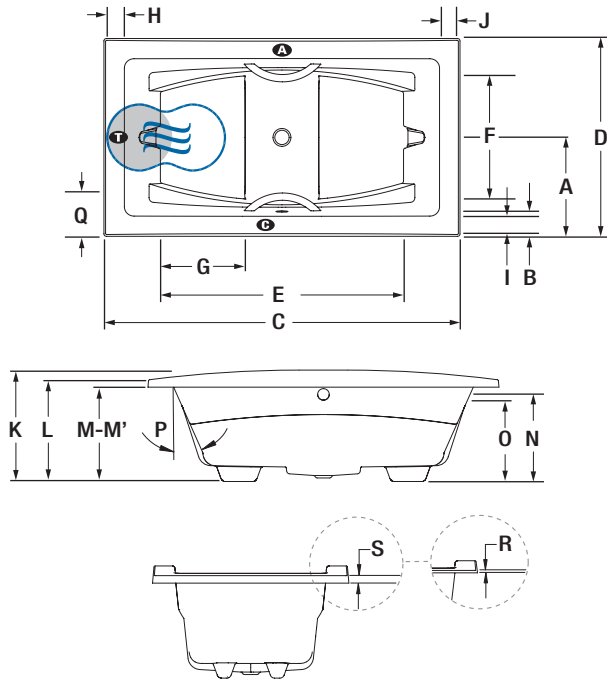
## INUA 7240




Comfort Cushion (2 included)

### INSTALLATION

- A** With the AromaCloud®, you must choose to install the control or the faucet on opposite side.



LETTER	DESCRIPTION	MEASURE
A	Outside edge to center drain	20"
B	Outside edge to overflow	4 1/2"
C	Total length	72"
D	Total width	40"
E	Bathing well length	49 1/8"
F	Bathing well width at center zone	25 1/8"
G	Raised seat length	17 1/8"
H	Deck width at backrest end	4 5/8"
I	Deck width	4 5/8"
J	Deck width	4 5/8"
K	Height from bottom of bath to top deck	23"
L	Total height to headrest	21"
M	Height from bottom of bath to bottom of standard deck	19 1/2"
M'	Height from bottom of bath to bottom of slim deck	20 1/2"
N	Height from bottom of drain to center of overflow	17 1/8"
O	Maximum water level (Waste & overflow 16" x 35") Maximum water level (Integrated waste & overflow) Maximum water level with AromaFlow	15 3/8" 16 3/8" 15 15/16"
P	Slope of backrests	24°
Q	Minimum spout reach	8 3/4"
R	Slim deck minimum height	1/2"
S	Standard deck minimum height	1 1/2"

- A** AromaCloud® position  
**T** Turbine position (TMU)  
**G** Control position when factory-installed (Mia® or DOT)  
 ● Indicates heated backrest (TMU)  
 Indicates WarmTouchShell® position (TUB)

### TECHNICAL SPECIFICATIONS

<b>Hot water supply required</b>	The hot water supply should be 70% or more of the bath's total water capacity.
<b>Turbine</b>	Access to the pump must be at least 18" x 22". <b>Standard connection is 20 A, 120 V, 60 Hz</b> , dedicated line with a Ground-Fault Circuit Interrupter (GFCI). <b>For any additional option, a second line is needed 15 A, 120 V, 60 Hz</b> , dedicated line with a GFCI. Air vent necessary: 2" x 4" minimum.
<b>Therapeutic Comfort Cushion - INCLUDED</b>	- Made of ultraresistant urethane gel - Extremely comfortable and soft to the touch - Fully waterproof - Remarkably durable - Color available: Grey + Black
<b>Others</b>	- The Geysair® is located on the same side as the heated backrest. It must <b>NOT be relocated</b> . It must be <b>connected to the hot water supply</b> and be accessible (provide access). - The water level will vary when an AromaFlow or an Integrated waste & overflow is installed.

Our products must be installed by certified professionals only and according to our Owner's Manual as well as federal, provincial/state and local building codes and regulations ([www.bainultra.com/dealers/dealer-documentation-and-catalog](http://www.bainultra.com/dealers/dealer-documentation-and-catalog)).

The specifications shown indicate the outer edge dimension and the inside bathing capacity dimension measured at air jets' height. The manufacturer accepts a 1/4" [0.64 cm] variance. There are variations on each product and specifications are subject to change as we improve upon our product as required. The dimensions needed for site preparation and structure building will differ. BainUltra® assumes no responsibility for preparatory work done prior to the product being on site.

<b>Approx. shipping weight</b>	153 lb
<b>Turbine power</b>	550 W
<b>Air heater</b>	600 W
<b>WARRANTY</b>	
Controls-LED-Geysair*	5 years
Bath & turbine*	20 years

\* Some restrictions apply | [www.bainultra.com/warranty](http://www.bainultra.com/warranty)