



S59-3400 (HL2x2) High Capacity Manifold System

High Capacity System Features:

- (2) S59-3200 valves assembled into a manifold system
- Factory assembled and tested
- Piping assembly w/ inlet and outlet shutoff valves
- Easy installation and serviceability

Navigator High-Low Valve Features:

- Reliable liquid-filled thermostat with 10 year warranty
- Integral strainer checkstops on inlets
- Adjustable set point within temperature range
- Accurate temperature control to within $\pm 3^\circ$ F
- Positive shutoff of flow in the event of cold supply line failure or thermostat failure
- Dirt and lime resistant
- Dial Thermometer on each valve

Valve Specifications

Maximum Operating Pressure

125 PSI (860 kPA)

Maximum Inlet Temperature

200° F (93° C)

Temperature Range

Std. 90° F (32° C) to 120° F (49° C)
High 110° F (43° C) to 140° F (60° C)

Set Point

110° F (43° C)
130° F (54° C)

Flow Capacities – GPM

Model	Min. Flow*	Pressure Drop – PSI						
		5	10	15	20	30	45	60
S59-3400	10.0	120.0	182.0	218.0	254.0	314.0	384.0	440.0

Flow Capacities – L/Min

Model	Min. Flow*	Pressure Drop – Bar						
		.5	1.0	1.5	2.0	2.5	3.0	4.0
S59-3400	38.0	565.0	810.0	999.0	1160.0	1302.0	1432.0	1662.0

***Recirculation system only** (See diagram on Page 2). When properly installed near the hot water source with a **continuously operating** recirculation pump, the valve will maintain set temperature with a .5 GPM (2.0 L/Min) draw from the plumbing system.

Code Compliance and Certifications

ASSE 1017 & cUPC certified.

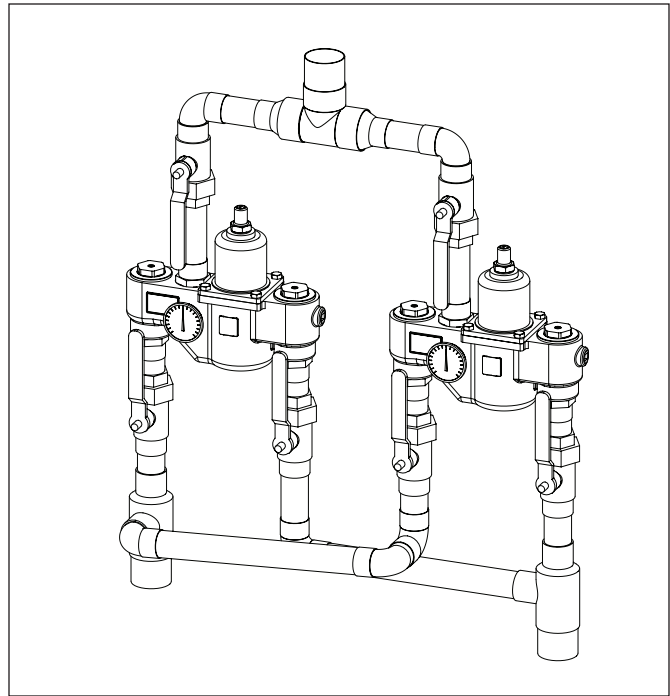


Certified to NSF/ANSI 372

- Standard product selections contained within this document are third party CERTIFIED to NSF/ANSI 372 meeting the Lead-Free content requirement. Any product configured with custom options will be COMPLIANT with NSF/ANSI 372 meeting the Lead-Free content requirement.**

Engineer's Approval _____

Consult local and national codes. Conformity and compliance to local and national codes is the responsibility of the installer.



Valve Model

Model	Description
<input type="checkbox"/> S59-3400	High Capacity Manifold System
<input type="checkbox"/> S59-3400H	High Capacity Manifold System with High Range Thermostat
<input type="checkbox"/> S59-3400T	High Capacity Manifold System with Thermometer on Combined Outlet
<input type="checkbox"/> S59-3400HT	High Capacity Manifold System with High Range Thermostat and Thermometer on Combined Outlet

Valve Model with Uni-Strut

Model	Description
<input type="checkbox"/> S59-3400U	High Capacity Manifold System Mounted to Uni-Strut
<input type="checkbox"/> S59-3400TU	High Capacity Manifold System with Thermometer on Combined Outlet and Mounted to Uni-Strut
<input type="checkbox"/> S59-3400HU	High Capacity Manifold System with High Range Thermostat and Mounted to Uni-Strut
<input type="checkbox"/> S59-3400HTU	High Capacity Manifold System with High Range Thermostat and Thermometer on Combined Outlet and Mounted to Uni-Strut

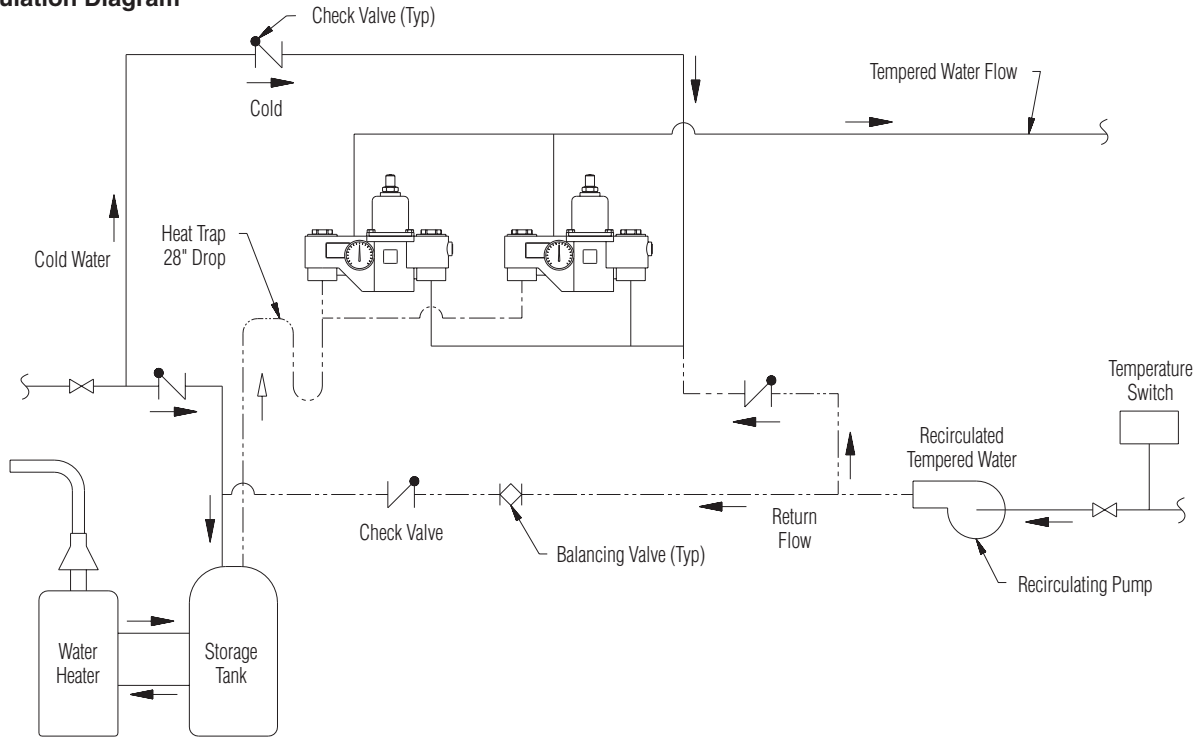
Sample Specification

High capacity manifold system consisting of two HL200 valves in combination with piping assembly and inlet/outlet shutoff valves. Each valve shall consist of a liquid-filled thermostat and a stainless steel piston and liner assembly with positive shutoff of hot water when cold water supply fails. HL200 valve will restrict flow of cold water in the event of loss or interruption of the hot water supply. Construction shall be bronze body and cap with replaceable corrosion resistant components, including stainless steel piston and liner. HL200 valve shall come equipped with integral checkstops, removable strainers, and thermometer. Liquid filled thermostat shall be warranted for a period of 10 years.



S59-3400 (HL2x2) High Capacity Manifold System

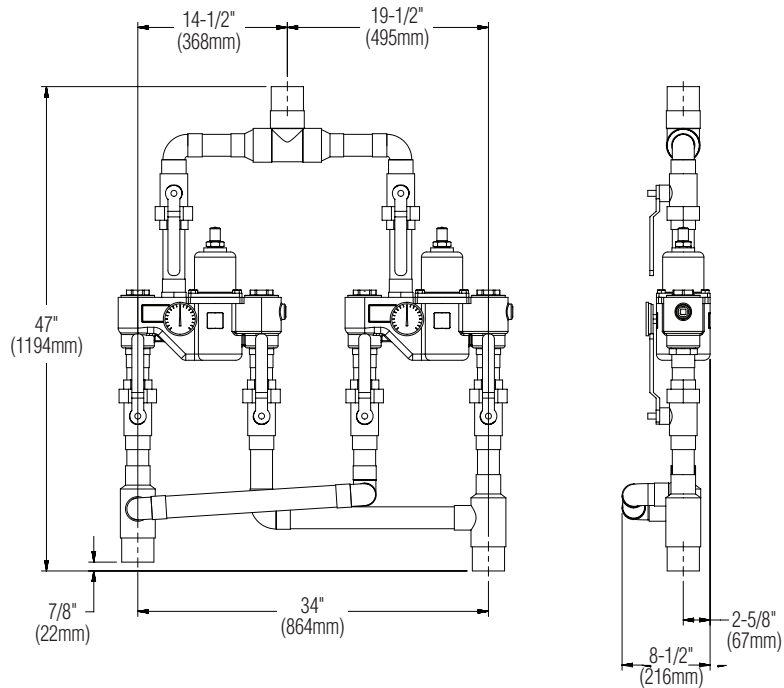
Recirculation Diagram



Dimensions

With Standard or High Range
Thermostat ("H" Option)

3" NCT Inlets
and Outlets



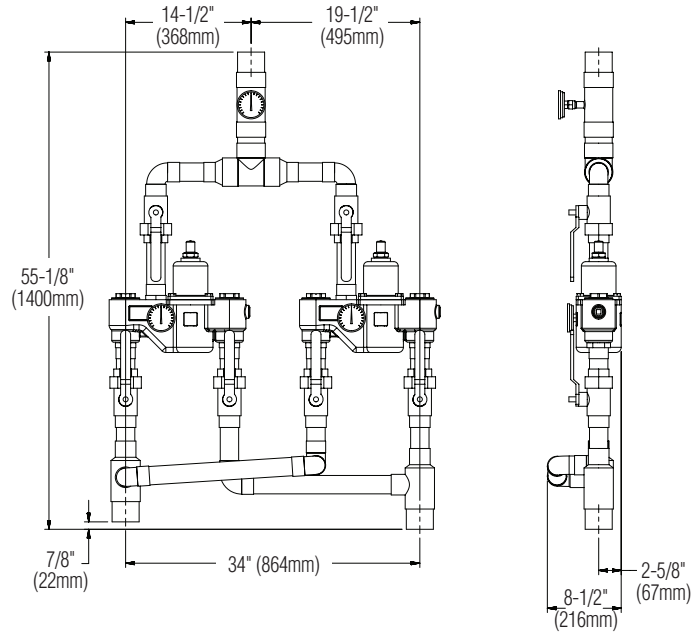
Consult local and national codes. Conformity and compliance to local and national codes is the responsibility of the installer.



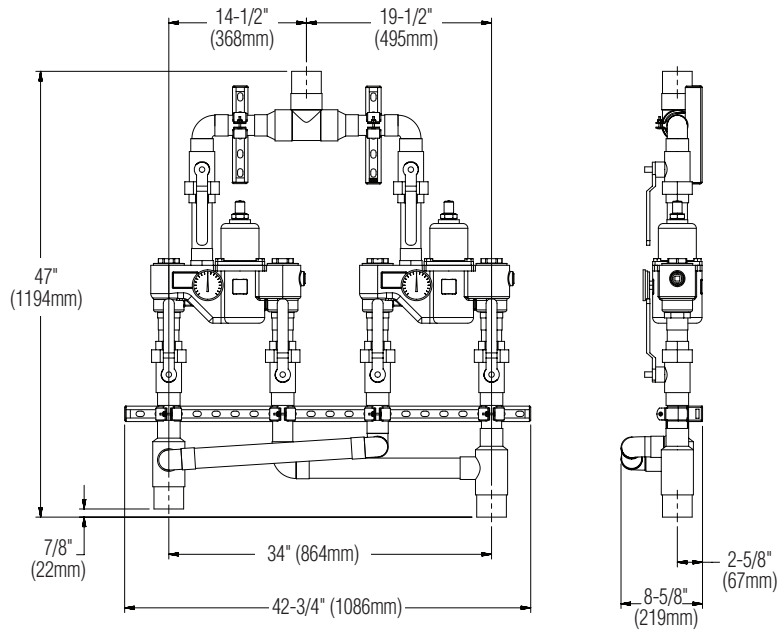
S59-3400 (HL2x2) High Capacity Manifold System

Dimensions

With Thermometer on
combined Outlet ("T" Option)



Mounted to Uni-Strut
("U" Option)



Consult local and national codes. Conformity and compliance to local and national codes is the responsibility of the installer.