

# 24" Speed Oven

500 Series – Stainless Steel HMC54151UC



**HMC54151UC**  
Stainless Steel

**The 24" speed oven pairs the cooking qualities of a conventional oven with the speed of a microwave, designed for smaller spaces.**

## Features & Benefits

SpeedChef® cooking modes offer faster cooking times for your convenience.

Installs flush with kitchen cabinetry.

2-in-1 microwave and convection oven for a variety of cooking options.

Electrical connection - 120 Volt NEMA 5-20 three prong plug.

## General Properties

Cavity material	Stainless steel
Max. microwave power (W)	1,000 W

## Capacity

Cavity capacity (cu. ft.)	1.6
Turntable diameter (in.)	14 3/16"

## Technical Details

Watts (W)	1,920 W
Circuit breaker (A)	20 A
Volts (V)	120 V
Frequency (Hz)	60 Hz
Power cord length (in)	48"
Plug type	NEMA 5-20 – 3 prong plug

## Dimensions & Weight

Overall appliance dimensions (HxWxD) (in)	17 7/8" x 23 7/16" x 22 1/16"
Required cutout size (HxWxD) (in)	(Standard) 17 3/4" x 22 5/16" x 22" (Flush) 18 7/16" x 24" x 22 3/4"
Oven overall interior dimensions (HxWxD) (in.)	9 7/8" x 16 1/2" x 16 1/2"
Turntable – Metal Max. Cookware	12 3/4" dia.
Turntable – Ceramic Max. Cookware	12 1/2" dia.
Rack – Rectangular Cookware Max.	15" x 12"
Net weight (lbs)	83 lbs.

## Accessories—Included

Included	Metal turntable, cooking rack, ceramic cooking tray
----------	---



**Accessories:** To purchase Bosch accessories, cleaners & parts please visit [www.bosch-home.com/us/store](http://www.bosch-home.com/us/store) or call 1-800-944-2904 (Mon to Fri 5 am to 6 pm PST, Sat 6 am to 3 pm PST).

**Notes:** All height, width and depth dimensions are shown in inches. BSH reserves the absolute and unrestricted right to change product materials and specifications, at any time, without notice. Consult the product's installation instructions for final dimensional data and other details prior to making cutout.

**Warranties:** Please see Use & Care manual or Bosch website for statement of limited warranty.

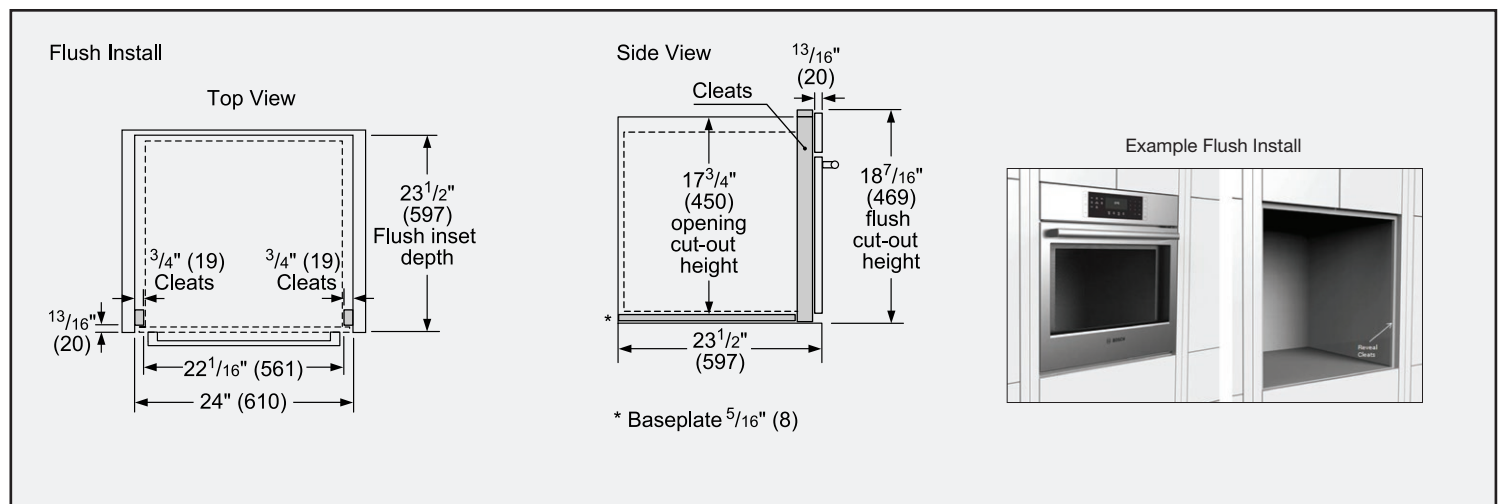
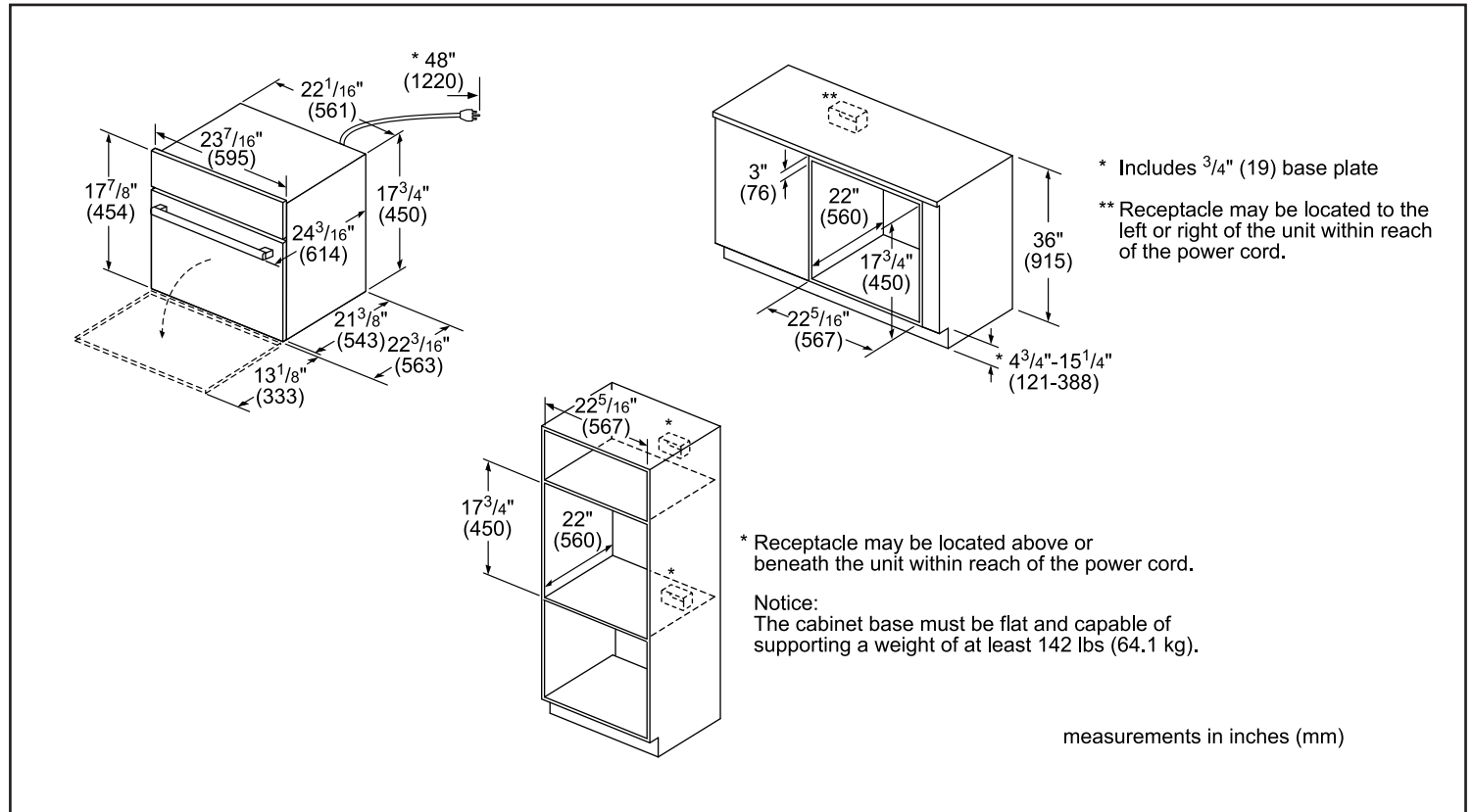
**For more information on our entire line of products, go to [www.bosch-home.com/us](http://www.bosch-home.com/us) or call 1-800-944-2904**

© BSH Home Appliances Corporation. All rights reserved. Bosch is a registered trademark of Robert Bosch GmbH.

# 24" Speed Oven

500 Series – Stainless Steel HMC54151UC

## Installation Details



**Accessories:** To purchase Bosch accessories, cleaners & parts please visit [www.bosch-home.com/us/store](http://www.bosch-home.com/us/store) or call 1-800-944-2904 (Mon to Fri 5 am to 6 pm PST, Sat 6 am to 3 pm PST).

**Notes:** All height, width and depth dimensions are shown in inches. BSH reserves the absolute and unrestricted right to change product materials and specifications, at any time, without notice. Consult the product's installation instructions for final dimensional data and other details prior to making cutout.

**Warranties:** Please see Use & Care manual or Bosch website for statement of limited warranty.

**For more information on our entire line of products, go to [www.bosch-home.com/us](http://www.bosch-home.com/us) or call 1-800-944-2904**

© BSH Home Appliances Corporation. All rights reserved. Bosch is a registered trademark of Robert Bosch GmbH.