

Installation Instructions  
Use and Care Information

Instructions d'installation  
Utilisez et d'entretien

**KMC30X**  
**KMC30BI**  
**KMC30NE**

**KMC36X**  
**KMC36BI**  
**KMC36NE**

**KMC48X**  
**KMC48BI**  
**KMC48NE**

# **READ AND SAVE THESE INSTRUCTIONS BEFORE YOU START INSTALLING THIS RANGEHOOD**

## **WARNING: - TO REDUCE THE RISK OF A RANGE TOP GREASE FIRE:**

- a) Never leave surface units unattended at high settings. Boilovers cause smoking and greasy spillovers that may ignite. Heat oils slowly on low or medium setting.
- b) Always turn hood ON when cooking at high heat or when flambeing food (i.e. Crepes Suzette, Cherries Jubilee, Peppercorn Beef Flambé).
- c) Clean ventilating fans frequently. Grease should not be allowed to accumulate on fan or filter.
- d) Use proper pan size. Always use cookware appropriate for the size of the surface element.

## **WARNING: - TO REDUCE THE RISK OF INJURY TO PERSONS IN THE EVENT OF A RANGE TOP GREASE FIRE, OBSERVE THE FOLLOWING\*:**

- a) **SMOTHER FLAMES** with a close-fitting lid, cookie sheet, or metal tray, then turn off the burner. **BE CAREFUL TO PREVENT BURNS.** If the flames do not go out immediately **EVACUATE AND CALL THE FIRE DEPARTMENT.**
- b) **NEVER PICK UP A FLAMING PAN** - You may be burned.
- c) **DO NOT USE WATER**, including wet dishcloths or towels - a violent steam explosion will result.
- d) Use an extinguisher **ONLY** if:
  - 1. You know you have a Class ABC extinguisher, and you already know how to operate it.
  - 2. The fire is small and contained in the area where it started.
  - 3. The fire department is being called.
  - 4. You can fight the fire with your back to an exit.

\* Based on "Kitchen Firesafety Tips" published by NFPA

## **WARNING - TO REDUCE THE RISK OF FIRE OR ELECTRIC SHOCK, do not use this fan with any solid-state speed control device.**

## **WARNING - TO REDUCE THE RISK OF FIRE, ELECTRICAL SHOCK, OR INJURY TO PERSONS, OBSERVE THE FOLLOWING:**

- 1. Use this unit only in the manner intended by the manufacturer. If you have any questions, contact the manufacturer.
- 2. Before servicing or cleaning unit, switch power off at service panel and lock the service disconnecting means to prevent power from being switched on accidentally. When the service disconnecting means cannot be locked, securely fasten a prominent warning device, such as a tag, to the service panel.

## **CAUTION: For General Ventilating Use Only. Do Not Use To Exhaust Hazardous or Explosive Materials and Vapors.**

## **WARNING - TO REDUCE THE RISK OF FIRE, ELECTRICAL SHOCK, OR INJURY TO PERSONS, OBSERVE THE FOLLOWING:**

- 1. Installation Work And Electrical Wiring Must Be Done By Qualified Person(s) In Accordance With All Applicable Codes And Standards, Including Fire-Rated Construction.
- 2. Sufficient air is needed for proper combustion and exhausting of gases through the flue (chimney) of fuel burning equipment to prevent backdrafting. Follow the heating equipment manufacturer's guideline and safety standards such as those published by the National Fire Protection Association (NFPA), and the American Society for Heating, Refrigeration and Air Conditioning Engineers (ASHRAE), and the local code authorities.

3. **When cutting or drilling into wall or ceiling, do not damage electrical wiring and other hidden utilities.**
4. **Ducted fans must always be vented to the outdoors.**

ALL WALL AND FLOOR OPENINGS WHERE THE RANGEHOOD IS INSTALLED MUST BE SEALED.

**This rangehood requires at least 24" of clearance** between the bottom of the rangehood and the cooking surface or countertop. This hood has been approved by UL at this distance from the cooktop. This minimum clearance may be higher depending on local building codes. For gas cooktops and combination ranges, a minimum of 30" is recommended and may be required.

Overhead cabinets on both sides of this unit must be a minimum of 18" above the cooking surface or countertop. Consult the cooktop or range installation instructions given by the manufacturer before making any cutouts.

**MOBILE HOME INSTALLATION** The installation of this rangehood must conform to the Manufactured Home Construction and Safety Standards, Title 24 CFR, Part 3280 (formerly Federal Standard for Mobile Home Construction and Safety, Title 24, HUD, Part 280). See Electrical Requirements.

### VENTING REQUIREMENTS

Determine which venting method is best for your application. Ductwork can extend either through the wall or the roof.

The length of the ductwork and the number of elbows should be kept to a minimum to provide efficient performance. The size of the ductwork should be uniform. Do not install two elbows together. Use duct tape to seal all joints in the ductwork system. Use caulking to seal exterior wall or floor opening around the cap.

**Flexible ductwork is not recommended. Flexible ductwork creates back pressure and air turbulence that greatly reduces performance.**

Make sure there is proper clearance within the wall or floor for exhaust duct before making cutouts. Do not cut a joist or stud unless absolutely necessary. If a joist or stud must be cut, then a supporting frame must be constructed.

**WARNING - To Reduce The Risk Of Fire, Use Only Metal Ductwork.**

**CAUTION - To reduce risk of fire and to properly exhaust air, be sure to duct air outside – Do not vent exhaust air into spaces within walls or ceilings or into attics, crawl spaces, or garages.**

### **Cold Weather installations**

An additional back draft damper should be installed to minimize backward cold air flow and a nonmetallic thermal break should be installed to minimize conduction of outside temperatures as part of the vent system. The damper should be on the cold air side of the thermal break. The break should be as close as possible to where the vent system enters the heated portion of the house.



## WARNING

- Venting system **MUST** terminate outside the home.
- **DO NOT** terminate the ductwork in an attic or other enclosed space.
- **DO NOT** use 4" laundry-type wall caps.
- Flexible-type ductwork is not recommended.
- **DO NOT** obstruct the flow of combustion and ventilation air.
- Failure to follow venting requirements may result in a fire.

## ELECTRICAL REQUIREMENTS

A 120 volt, 60 Hz AC-only electrical supply is required on a separate 15 amp fused circuit. A time-delay fuse or circuit breaker is recommended. The fuse must be sized per local codes in accordance with the electrical rating of this unit as specified on the serial/rating plate located inside the unit near the field wiring compartment.



## WARNING

- Electrical ground is required on this rangehood.
- If cold water pipe is interrupted by plastic, nonmetallic gaskets or other materials, DO NOT use for grounding.
- DO NOT ground to a gas pipe.
- DO NOT have a fuse in the neutral or grounding circuit. A fuse in the neutral or grounding circuit could result in electrical shock.
- Check with a qualified electrician if you are in doubt as to whether the rangehood is properly grounded.
- Failure to follow electrical requirements may result in a fire.

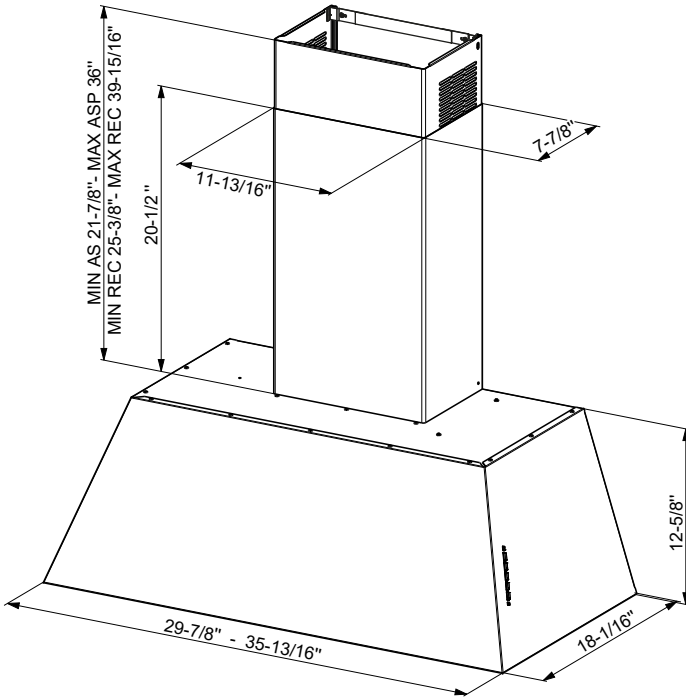
### State of California Proposition 65 Warning (US only)

#### WARNING

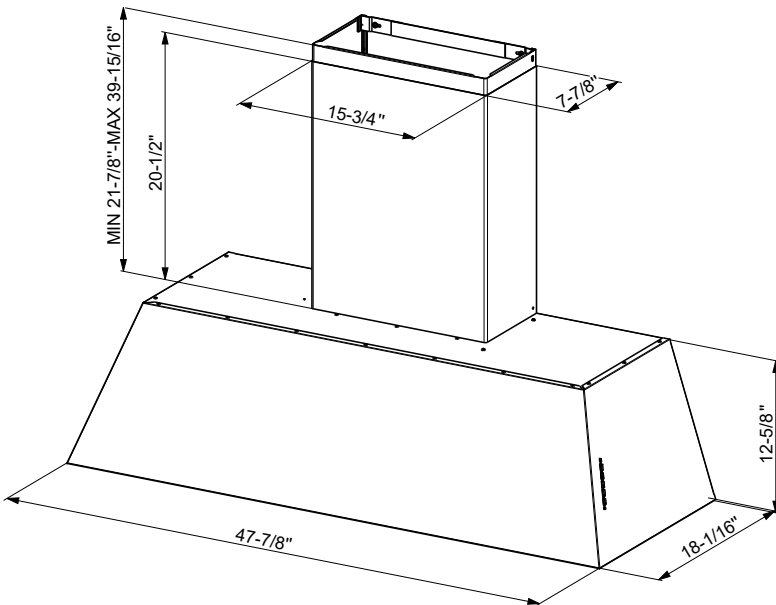
This product contains chemicals known to the State of California to cause cancer and birth defects or other reproductive harm.

For more information go to [www.P65Warnings.ca.gov](http://www.P65Warnings.ca.gov)

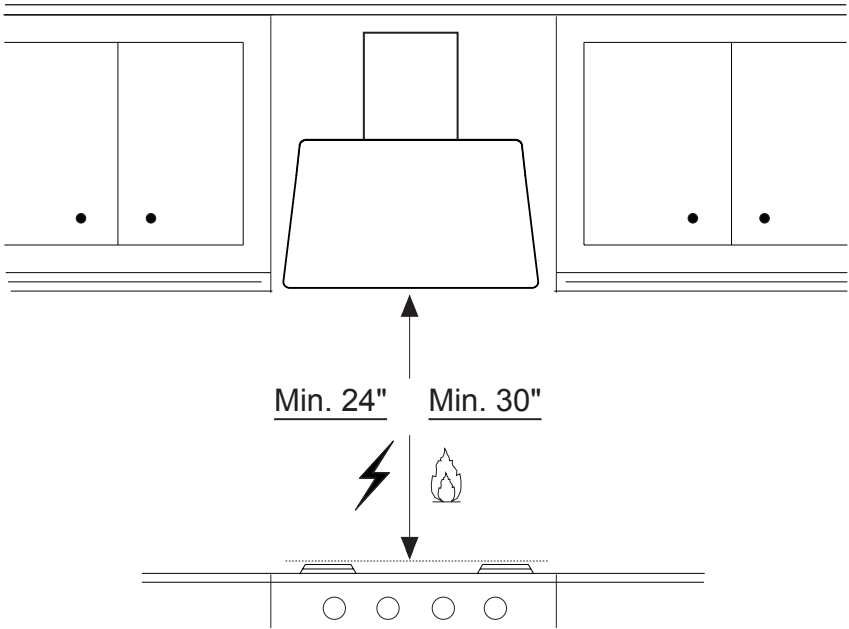
## RANGEHOOD DIMENSIONS



KMC30X
KMC30BI
KMC30NE
KMC36X
KMC36BI
KMC36NE

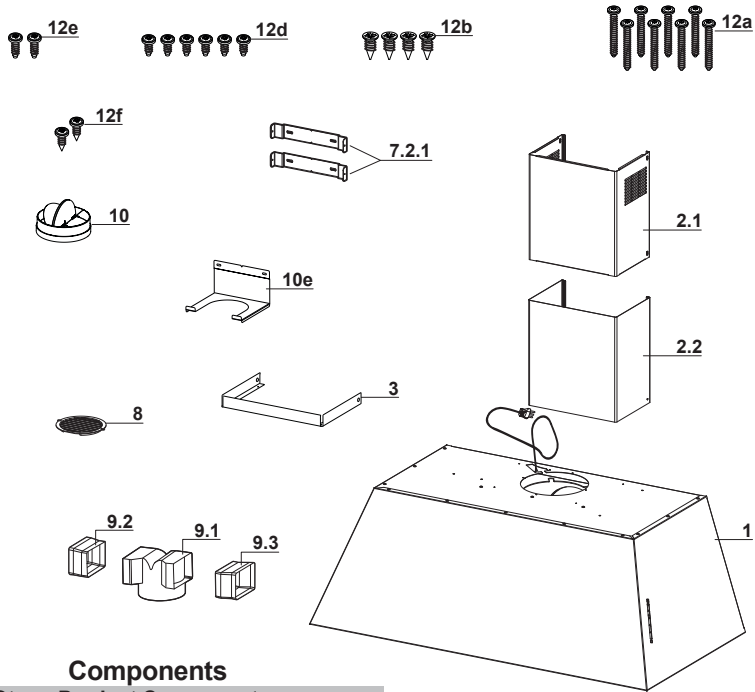


KMC48X
KMC48BI
KMC48NE



# MAIN PARTS

## KMC30X - KMC30BI - KMC30NE

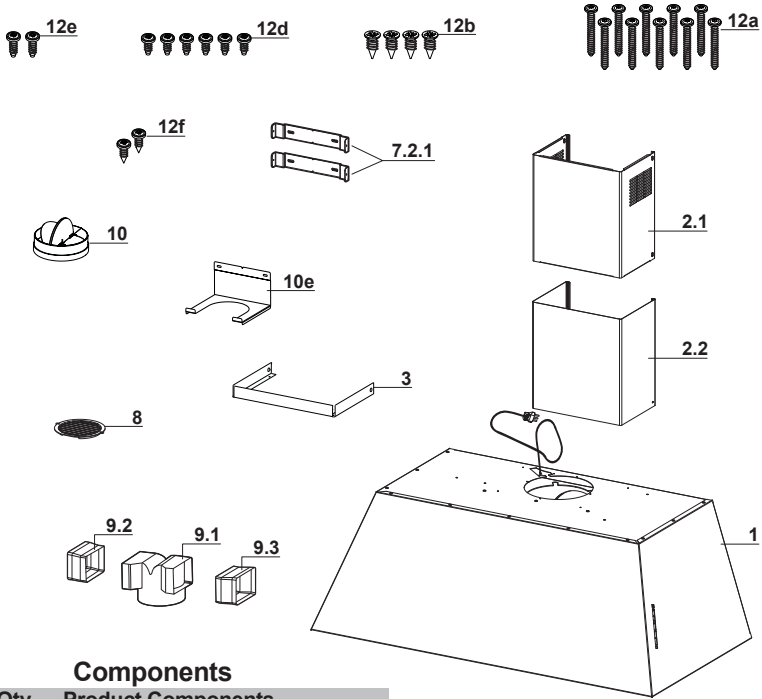


### Components

Ref.	Qty.	Product Components
1	1	Hood Body, complete with: Controls, Light, Filters, Blower.
2	1	Telescopic Chimney comprising:
2.1	1	Upper Section
2.2	1	Lower Section
3	1	Angle bracket
10	1	Damper $\varnothing$ 5 7/8"
10e	1	Support connection for recirculating
9	1	Connection for recirculating comprising:
9.1	1	Connection for recirculating
9.2	1	Spacer connection for recirculating
9.3	1	Spacer connection for recirculating
8	1	Recirculation Vent Grill
Ref.	Qty.	Installation Components
7.2.1	2	Upper Chimney Section Fixing Brackets
12a	8	Screws 3/16" x 1 15/16"
12b	4	Screws 1/8" x 3/8"
12d	6	Screws 1/8" x 1/4"
12e	2	Screws 1/8" x 3/8"
12f	2	Screws 1/8" x 1/2"
Qty.	Documentation	
1	Instruction Manual	

# MAIN PARTS

## KMC36X - KMC36BI - KMC36NE



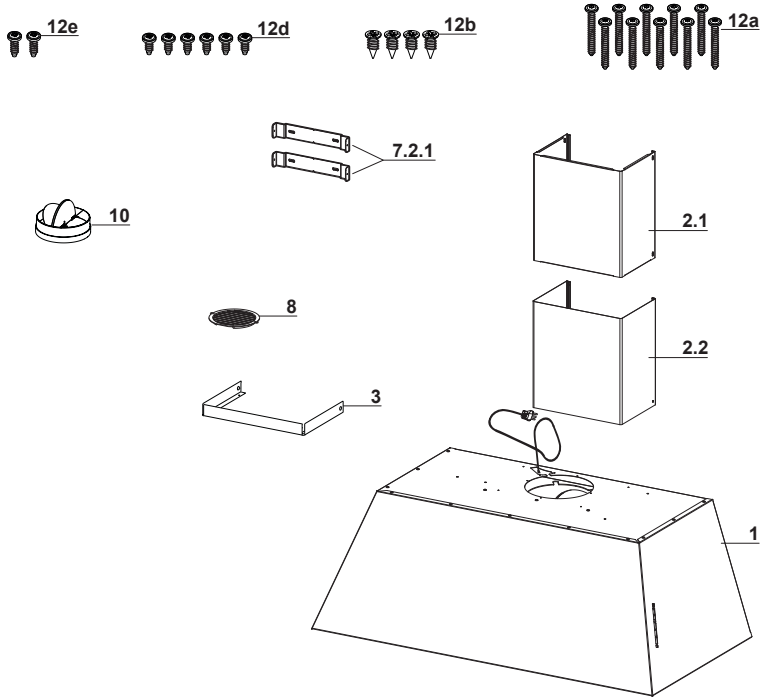
### Components

Ref.	Qty.	Product Components
1	1	Hood Body, complete with: Controls, Light, Filters, Blower.
2	1	Telescopic Chimney comprising:
2.1	1	Upper Section
2.2	1	Lower Section
3	1	Angle bracket
10	1	Damper $\varnothing$ 5 7/8"
10e	1	Support connection for recirculating
9	1	Connection for recirculating comprising:
9.1	1	Connection for recirculating
9.2	1	Spacer connection for recirculating
9.3	1	Spacer connection for recirculating
8	1	Recirculation Vent Grill
Ref.	Qty.	Installation Components
7.2.1	2	Upper Chimney Section Fixing Brackets
12a	10	Screws 3/16" x 1 15/16"
12b	4	Screws 1/8" x 3/8"
12d	6	Screws 1/8" x 1/4"
12e	2	Screws 1/8" x 3/8"
12f	2	Screws 1/8" x 1/2"
Qty.	Documentation	
1	Instruction Manual	



# MAIN PARTS

## KMC48X - KMC48BI - KMC48NE

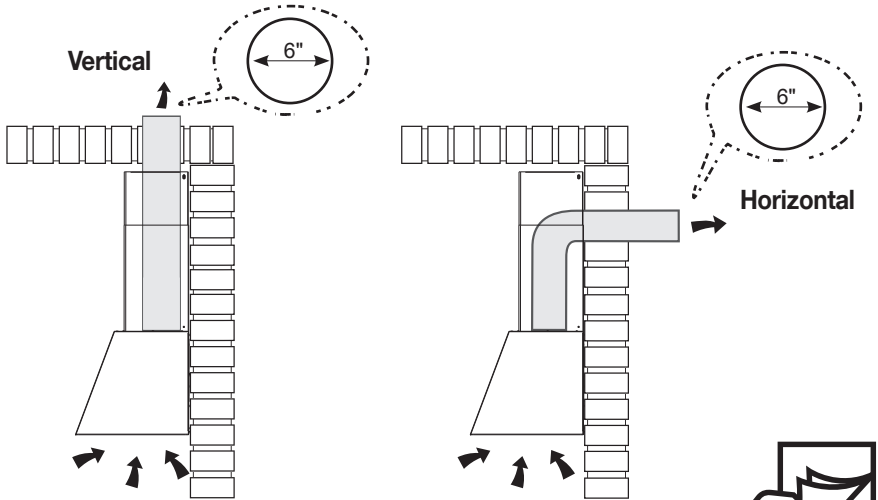


### Components

Ref.	Qty.	Product Components
1	1	Hood Body, complete with: Controls, Light, Filters, Blower.
2	1	Telescopic Chimney comprising:
2.1	1	Upper Section
2.2	1	Lower Section
3	1	Angle bracket.
10	1	Damper $\varnothing$ 5 7/8"
8	1	Recirculation Vent Grill
Ref.	Qty.	Installation Components
7.2.1	2	Upper Chimney Section Fixing Brackets
12a	10	Screws 3/16" x 1 15/16"
12b	4	Screws 1/8" x 3/8"
12d	6	Screws 1/8" x 1/4"
12e	2	Screws 1/8" x 3/8"
Qty.	Documentation	
1	Instruction Manual	

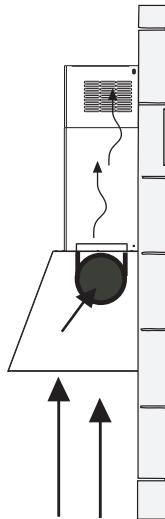
Choose your ducting method  
INSTALLATION WITH THE CHIMNEY

Ducted Venting Installation



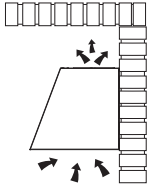
Non Ducted - Recirculation Option

Requires purchase of  
Activated  
Charcoal  
Accessory.



## Choose your ducting method INSTALLATION WITHOUT THE CHIMNEY

### Non Ducted - Recirculation Option

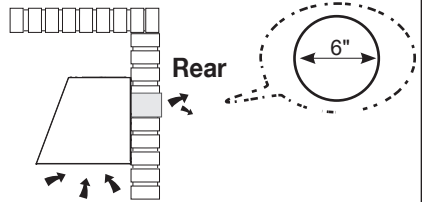


Requires purchase of Activated Charcoal Accessory

When used in recirculation mode, To Reduce the Risk of Fire and Shock use only conversion Charcoal Accessory.

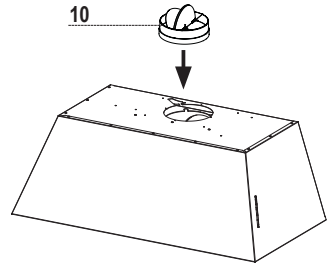


### Ducted Venting Options Installation



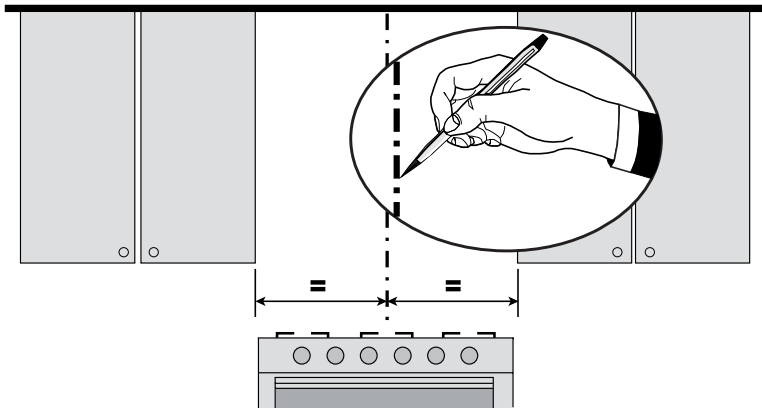
## Only for Ducted Venting Installation

Install Damper that is included with the Hood before connecting to the ductwork.



## Installation Instructions

1

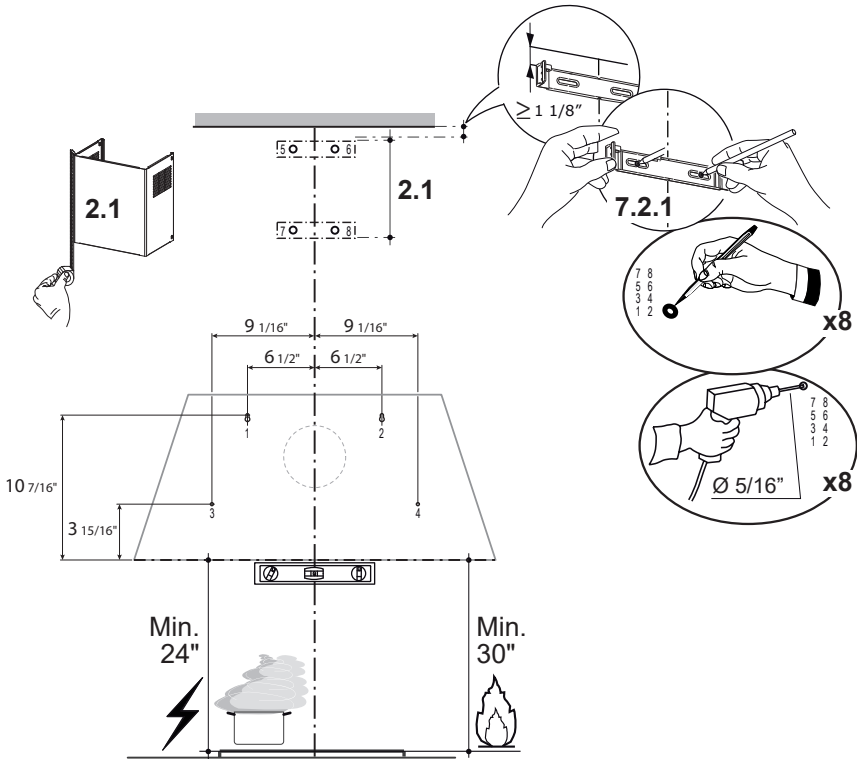


Draw a vertical line on the supporting wall as high as practical, at the center of the area in which the hood will be installed.

Draw a horizontal line at where the bottom edge of the hood will be located as indicated in the figure that is a minimum of 24" above Electric cooking surface and 30" above Gas.

# 2.a

KMC30X
KMC30BI
KMC30NE



Mark the wall where indicated, 10 7/16" above the horizontal line and at 6 1/2" distance on the left and right of vertical line. Checking that the two marks are level.

Insert two wall plugs and two screws into the holes as shown not completely (purchased separately).

Mark the wall where indicated, 3 15/16" above the horizontal line and at 9 1/16" distance on the left and right of vertical line. Checking that the two marks are level.

Insert two wall plugs (purchased separately).

Place a bracket 7.2.1 on the wall as shown about 1 1/8" from the ceiling or upper limit, aligning the center (notch) with the vertical reference line and mark the wall at the centers of the holes in the bracket.

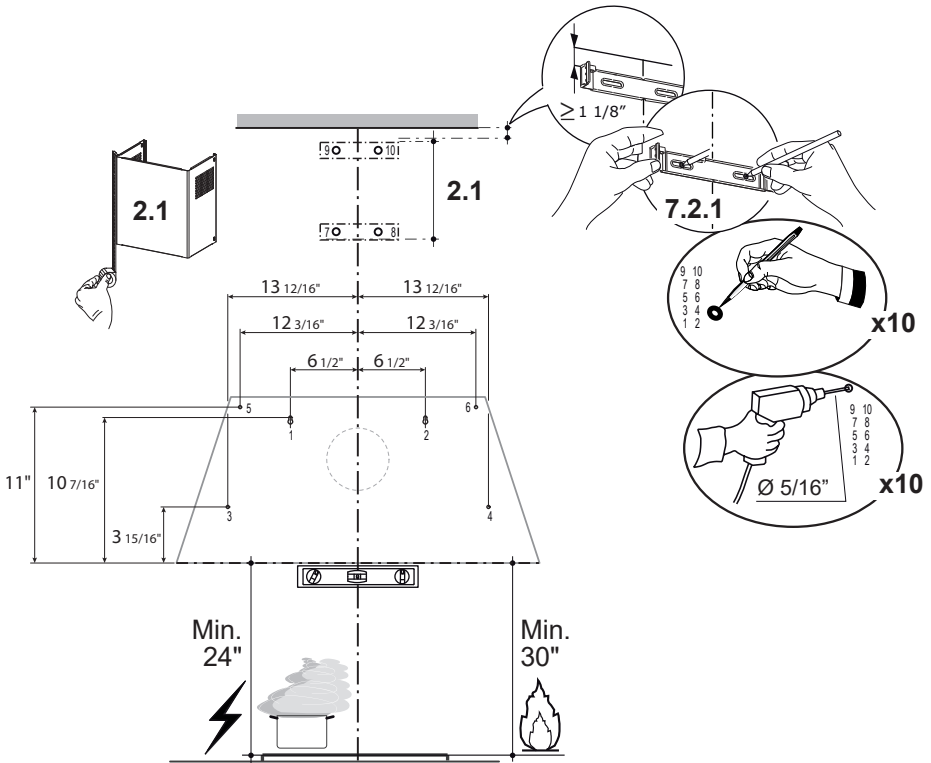
Place the second bracket 7.2.1 on the wall as shown, below the first bracket, at the height of the upper chimney section supplied and aligning the center (notch) with the vertical line.

Mark the wall at the centers of the holes in the bracket and drill  $\varnothing$  5/16" as shown.

Installation screws provided for the Brackets, must be secured with wall plugs (purchased separately).

## 2.b

KMC36X
KMC36BI
KMC36NE



Mark the wall where indicated, 10 7/16" above the horizontal line and at 6 1/2" distance on the left and right of vertical line. Checking that the two marks are level.

Insert two wall plugs and two screws into the holes as shown not completely (purchased separately).

Mark the wall where indicated, 3 15/16" above the horizontal line and at 13 12/16" distance on the left and right of vertical line. Checking that the two marks are level. Insert two wall plugs (purchased separately).

Mark the wall where indicated, 11" above the horizontal line and at 12 3/16" distance on the left and right of vertical line. Checking that the two marks are level. Insert two wall plugs (purchased separately).

Place a bracket 7.2.1 on the wall as shown about 1 1/8" from the ceiling or upper limit, aligning the center (notch) with the vertical reference line and mark the wall at the centers of the holes in the bracket.

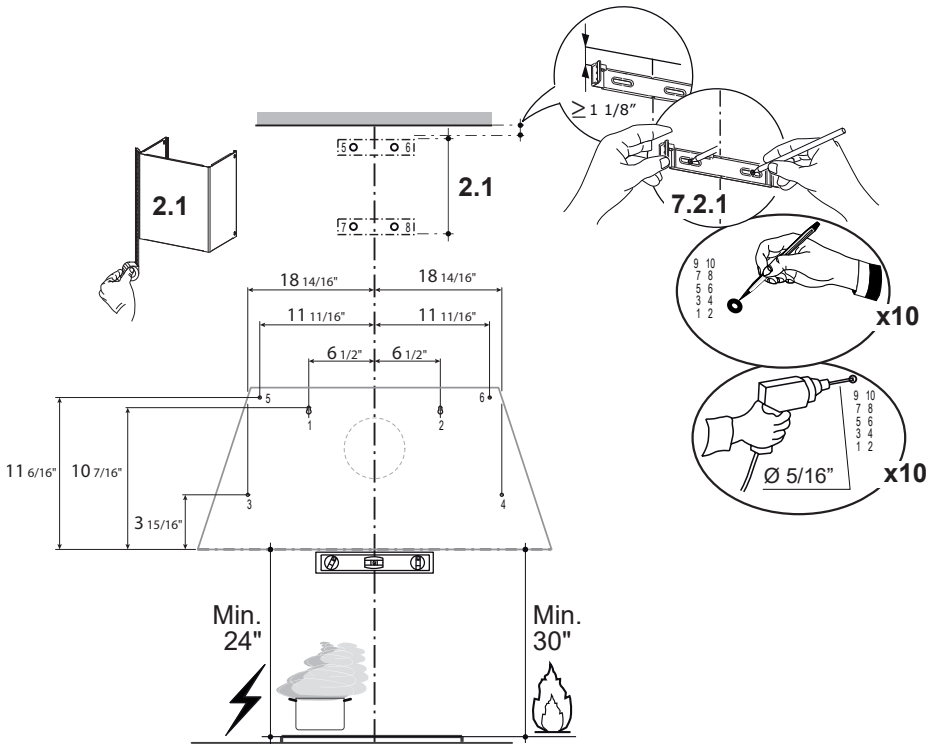
Place the second bracket 7.2.1 on the wall as shown, below the first bracket, at the height of the upper chimney section supplied and aligning the center (notch) with the vertical line.

Mark the wall at the centers of the holes in the bracket and drill  $\varnothing$  5/16" as shown.

Installation screws provided for the Brackets, must be secured with wall plugs (purchased separately).

# 2.c

KMC48X
KMC48BI
KMC48NE



Mark the wall where indicated, 10 7/16" above the horizontal line and at 6 1/2" distance on the left and right of vertical line. Checking that the two marks are level.

Insert two wall plugs and two screws into the holes as shown not completely (purchased separately).

Mark the wall where indicated, 3 15/16" above the horizontal line and at 18 14/16" distance on the left and right of vertical line. Checking that the two marks are level. Insert two wall plugs (purchased separately).

Mark the wall where indicated, 11 6/16" above the horizontal line and at 11 11/16" distance on the left and right of vertical line. Checking that the two marks are level. Insert two wall plugs (purchased separately).

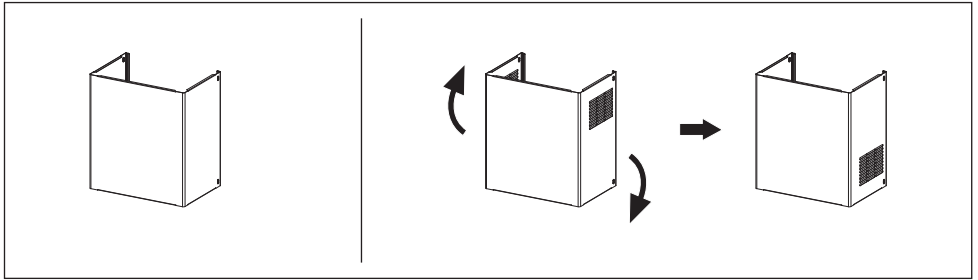
Place a bracket 7.2.1 on the wall as shown about 1 1/8" from the ceiling or upper limit, aligning the center (notch) with the vertical reference line and mark the wall at the centers of the holes in the bracket.

Place the second bracket 7.2.1 on the wall as shown, below the first bracket, at the height of the upper chimney section supplied and aligning the center (notch) with the vertical line.

Mark the wall at the centers of the holes in the bracket and drill  $\varnothing$  5/16" as shown.

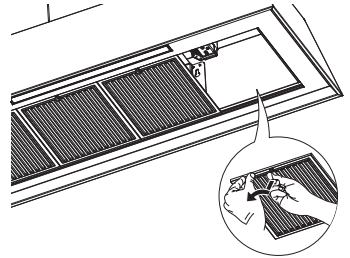
Installation screws provided for the Brackets, must be secured with wall plugs (purchased separately).

## INSTALLATION WITH THE CHIMNEY



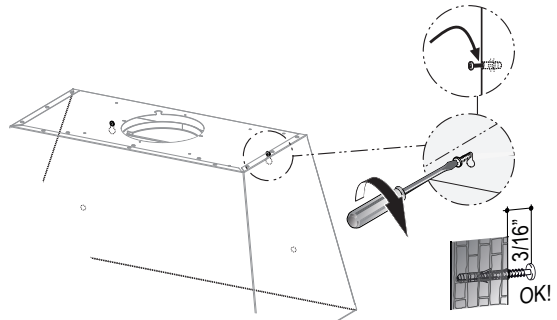
**3**

Remove the filters one at a time, supporting them with one hand and turning the safety knobs (pull and turn). Do not discard the filters and set aside for future use.

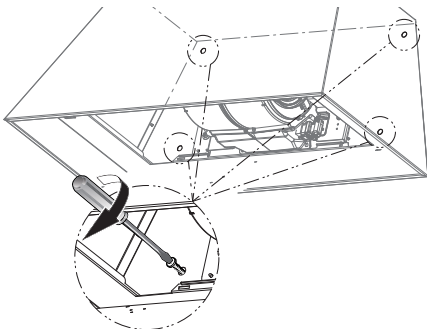


**4**

Hook and fix the hood body onto the wall.

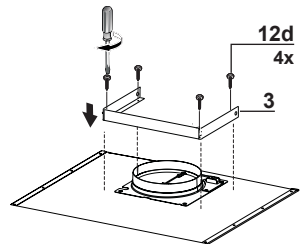


**5**



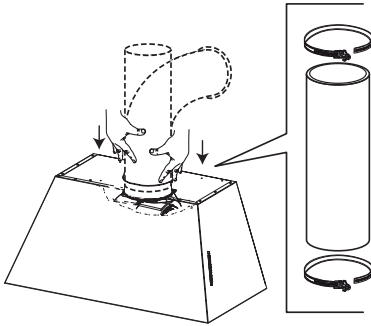
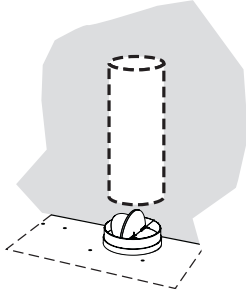
From inside fully secure the screws 12a.

**6**



Use the four screws to secure the angle bracket.

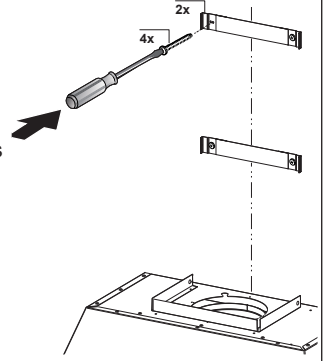
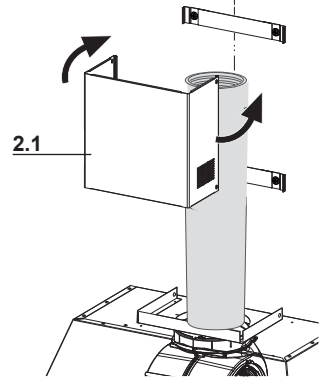


**7****Vertical or Horizontal Ducting Installation**

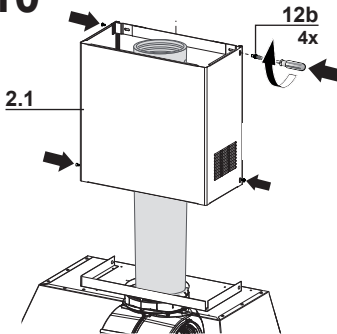
Install Roof or Wall Cap purchased separately. Connect the 6" metal ductwork to the Roof or Wall Cap and then attach ductwork.

**8**

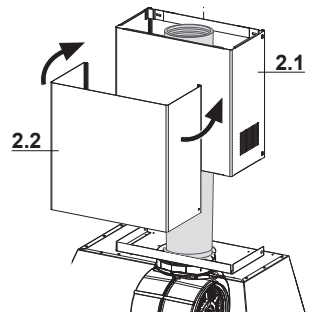
Install the 2 fixing brackets 7.2.1 to the middle and upper holes and secure with screws 12a as shown.

**9**

Slightly widen the two sides of the upper chimney and hook them behind the brackets 7.2.1, making sure that they are well seated.

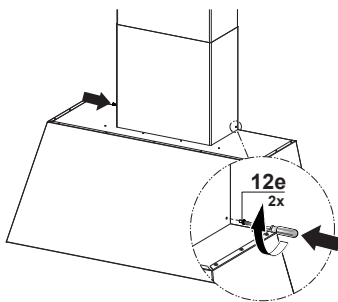
**10**

Secure the sides to the brackets by using the 4 screws 12b.

**11**

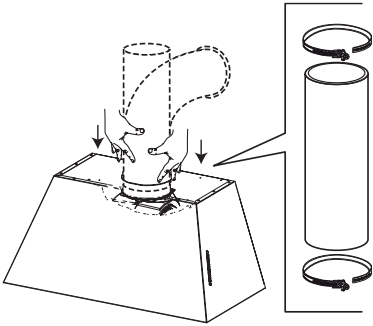
Slightly widen the two sides of the the lower chimney hood and hook them between the upper section and the wall, making sure that they are properly housed.

**12**



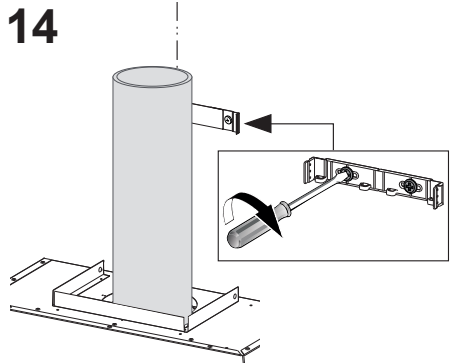
Fix the the lower chimney hood laterally to the hood body using the 2 screws 12e supplied.

## 13 Non-Ducted Recirculation Option



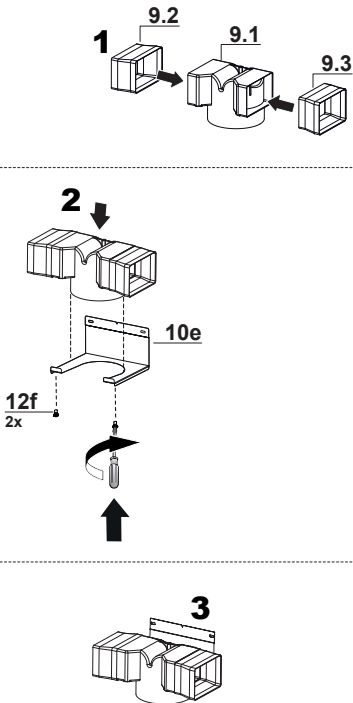
Only for the recirculation version, connect the hood to the Air outlet.

## 14



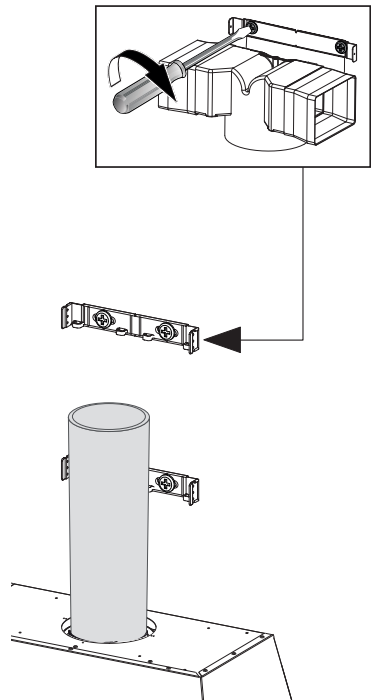
Fix the lower Bracket 7.2.1 with two screws 12a supplied as shown.

## 15



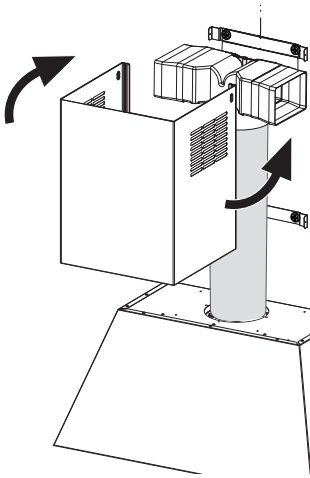
Fix the Ductless Diverter with two screws 12f supplied as shown.

## 16



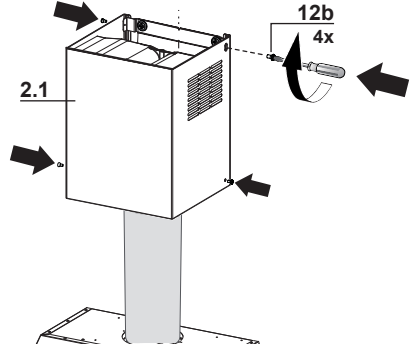
Fix the Ductless Diverter with two screws 12a supplied as shown.

17



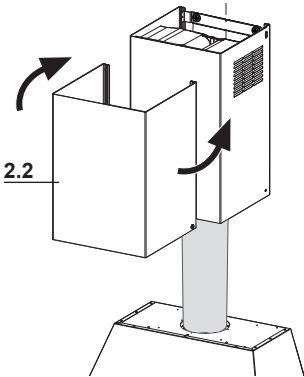
Slightly widen the two sides of the upper chimney and hook them behind the brackets and connect to the Ductless Diverter, making sure that they are well seated.

18



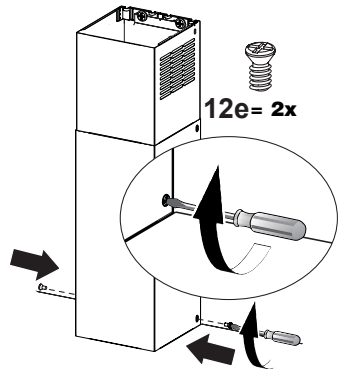
Secure the sides to the brackets by using the 4 screws 12b.

19



Slightly widen the two sides of the the lower chimney hood and hook them between the upper section and the wall, making sure that they are properly housed.

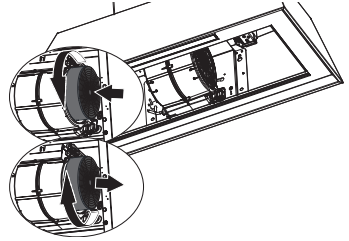
20



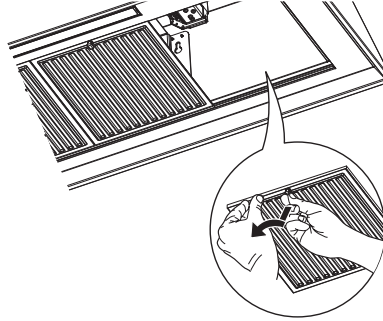
Fix the the lower chimney hood laterally to the hood body using the 2 screws 12e supplied.

# 21

Attach each charcoal filter to the black grid on each side of the blower. Press the charcoal filter tightly to the black grid on the blower side and rotate the filter clockwise (towards the front of the hood) until it locks into place. Turn counterclockwise (towards the back of the hood) to remove.



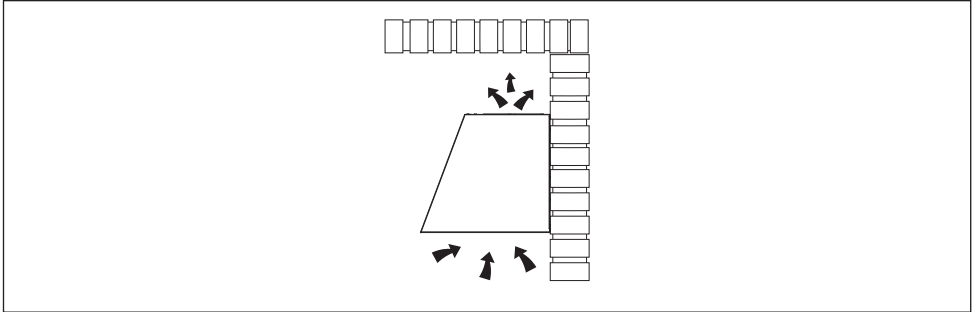
# 22



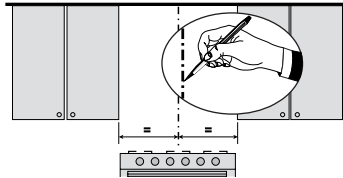
Replace the filters one at a time, supporting them with one hand and turning the safety knobs (pull and turn). Do not discard the filters and set aside for future use.

# INSTALLATION WITHOUT THE CHIMNEY

## Non Ducted - Recirculation Option

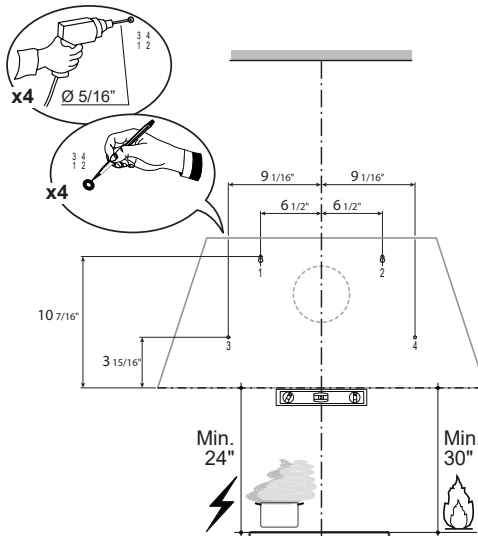


1



Draw a vertical line on the supporting wall as high as practical, at the center of the area in which the hood will be installed. Draw a horizontal line at where the bottom edge of the hood will be located as indicated in the figure that is a minimum of 24" above Electric cooking surface and 30" above Gas.

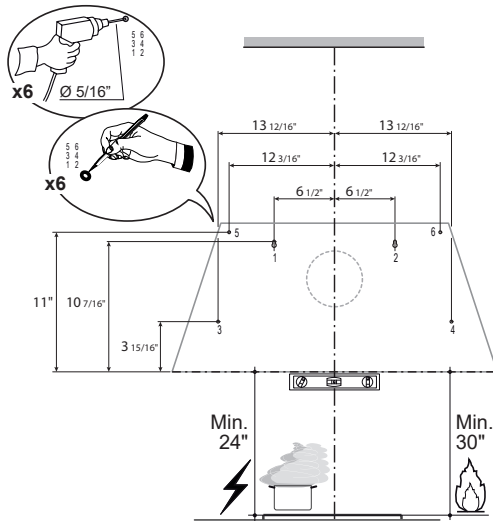
2.a



KMC30X
KMC30BI
KMC30NE

Draw a horizontal line where indicated above the cooking surface.  
Mark the wall at the centers of the holes in the bracket and mark the point 1 and 2 for the Hood Body installation as shown.  
Drill  $\varnothing$  5/16" holes at all the center points marked (point 1,2,3,4) as shown.

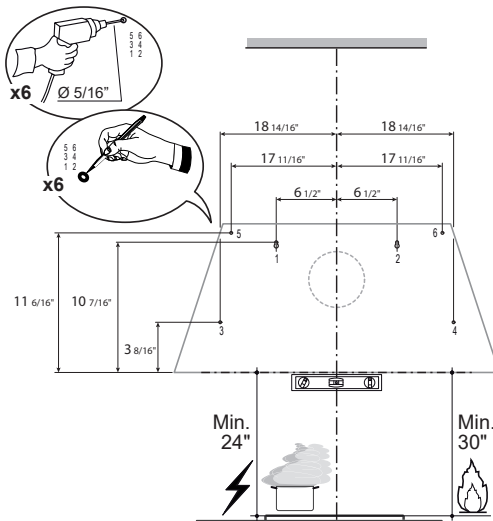
## 2.b



<b>KMC36X</b>
<b>KMC36BI</b>
<b>KMC36NE</b>

Draw a horizontal line where indicated above the cooking surface.  
Mark the wall at the centers of the holes in the bracket and mark the point 1 and 2 for the Hood Body installation as shown.  
Drill  $\varnothing$  5/16" holes at all the center points marked (point 1,2,3,4,5,6) as shown.

## 2.c

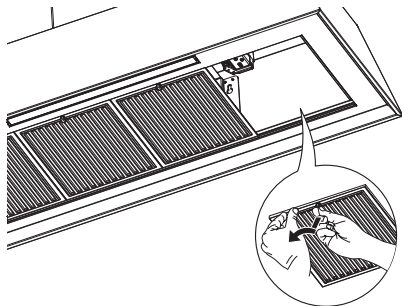


<b>KMC48X</b>
<b>KMC48BI</b>
<b>KMC48NE</b>

Draw a horizontal line where indicated above the cooking surface.  
Mark the wall at the centers of the holes in the bracket and mark the point 1 and 2 for the Hood Body installation as shown.  
Drill  $\varnothing$  5/16" holes at all the center points marked (point 1,2,3,4,5,6) as shown.

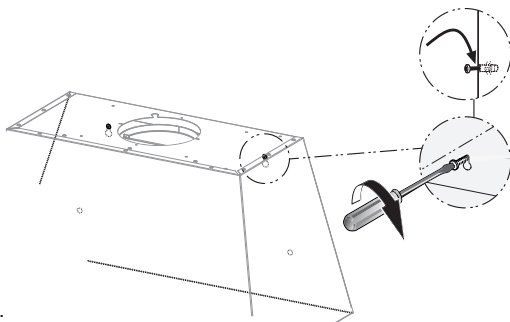
# 3

Remove the filters one at a time, supporting them with one hand and turning the safety knobs (pull and turn).  
Do not discard the filters and set aside for future use.



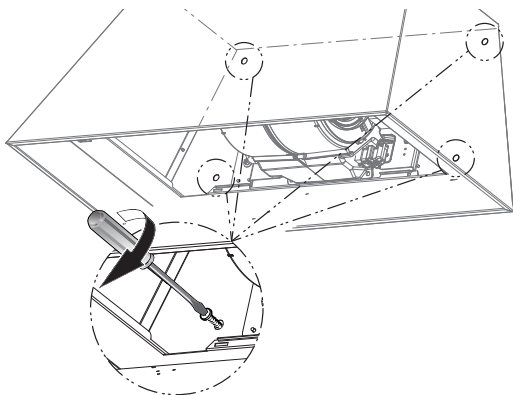
# 4

Hook and fix the hood body onto the wall.



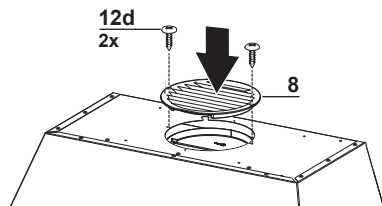
# 5

From inside fully secure the screws 12a.



# 6

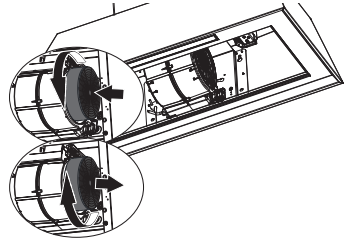
Fix the Recirculation Vent Grill with two screws.



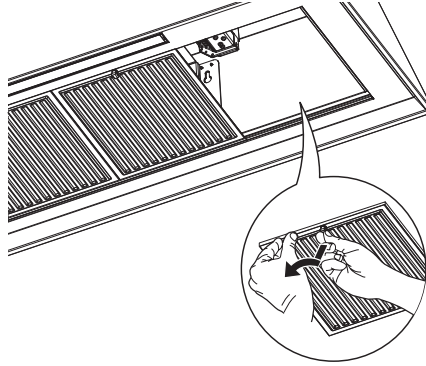


# 7

Attach each charcoal filter to the black grid on each side of the blower. Press the charcoal filter tightly to the black grid on the blower side and rotate the filter clockwise (towards the front of the hood) until it locks into place. Turn counterclockwise (towards the back of the hood) to remove.



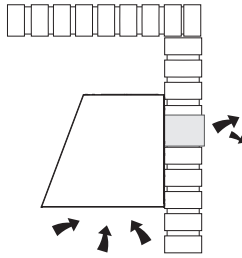
# 8



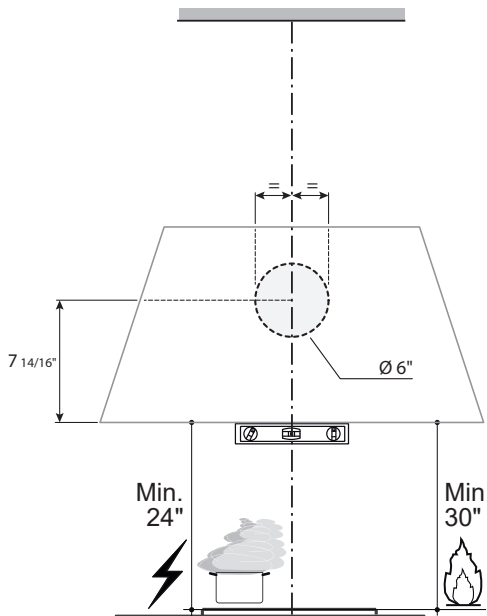
Replace the filters one at a time, supporting them with one hand and turning the safety knobs (pull and turn). Do not discard the filters and set aside for future use.

# INSTALLATION WITHOUT THE CHIMNEY

## Ducted Venting Options Installation



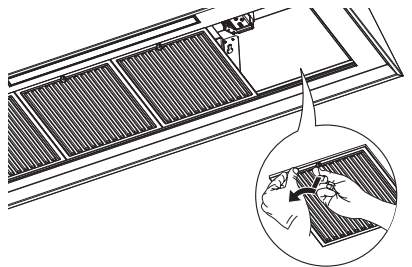
**1**



KMC30X
KMC30BI
KMC30NE
KMC36X
KMC36BI
KMC36NE
KMC48X
KMC48BI
KMC48NE

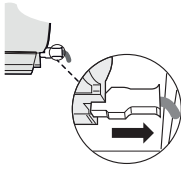
Use this dimensional drawing to help with planning of duct connection.

**2**



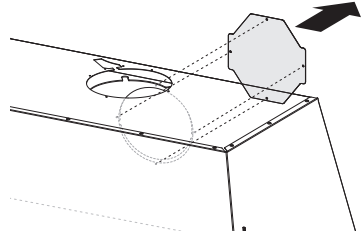
Remove the filters one at a time, supporting them with one hand and turning the safety knobs (pull and turn).  
Do not discard the filters and set aside for future use.

### 3



From inside the hood, use the flat head screwdriver as shown in image above, to disconnect the right Connectors from the blower.

### 4



Unscrew the 4 screws that hold the plate and unlock it from the initial position as shown in image.

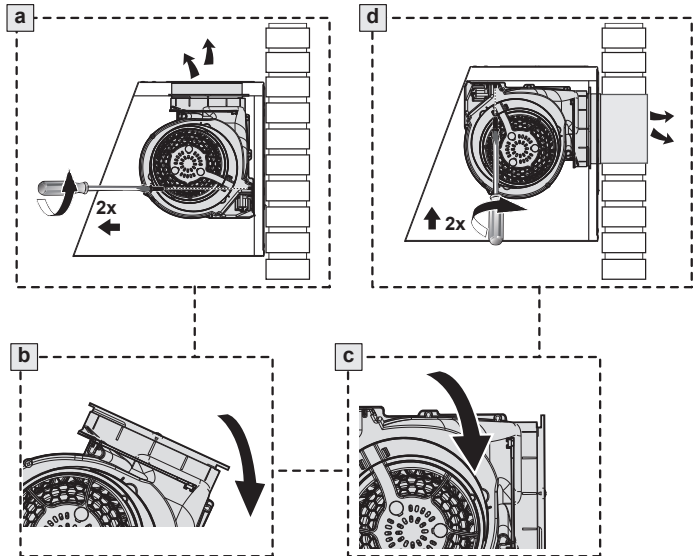
### 5

**Warning! Don't stress the power cable during the blower rotation operation and carry out the operation in at least two people.**

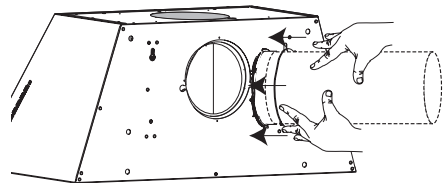
Unscrew the 2 screws that hold the blower and unlock it from the initial position as shown in Image a.

After removing blower rotate as shown until it is in the correct rear venting position as shown in Image b-c.

Use the two screws that were removed to secure the blower as shown in Image d.

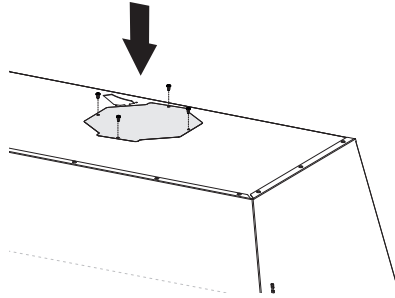


### 6



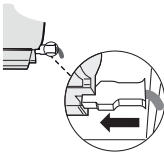
Install to the Roof or Wall attach ductwork.

7



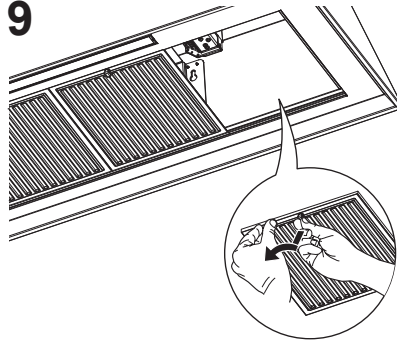
Use the four screws that were removed to secure the plate as shown in image.

8



From inside the hood re-connect the Connectors on the right side shown in the image above.

9



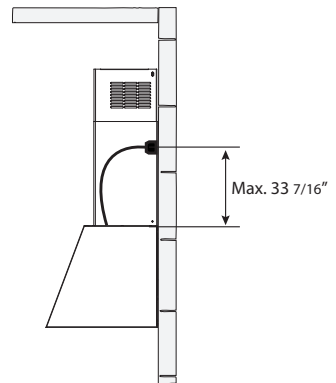
Replace the filters one at a time, supporting them with one hand and turning the safety knobs (pull and turn). Do not discard the filters and set aside for future use.

### ELECTRICAL INSTALLATION WITH CONNECTION CABLE

**GROUNDING INSTRUCTIONS** This appliance must be grounded. In the event of an electrical short circuit, grounding reduces the risk of electric shock by providing an escape wire for the electric current. This appliance is equipped with a cord having a grounding wire with a grounding plug. The plug must be plugged into an outlet that is properly installed and grounded. **WARNING** - Improper grounding can result in a risk of electric shock.

Consult a qualified electrician if the grounding instructions are not completely understood, or if doubt exists as to whether the appliance is properly grounded.

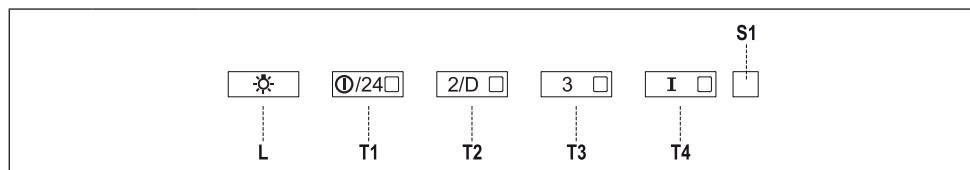
Do not use an extension cord. If the power supply cord is too short, have a qualified electrician install an outlet near the appliance.



## USE AND CARE INFORMATION

### For Best Results

Start the rangehood several minutes before cooking to develop proper airflow. Allow the rangehood to operate for several minutes after cooking is complete to clear all smoke and odors from the kitchen.





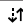
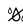






Button	Led	Function
<b>L</b>	-	Turns the lights ON/OFF at maximum strength.
	-	Press and hold for 2sec to turn the Hood lights On/Off at reduced intensity.
<b>T1</b>	Fixed	Turns the motor on/off at speed one.
	Flashing	<b>24h function:</b> Press and hold the button for approx. 2 seconds to Activate/Deactivate the motor in 24h Air Circulation mode, a speed that allows ducting for 10 minutes every hour, for a 24 hour cycle. Cannot be activated if Intensive or Delay modes are active.
<b>T2</b>	Fixed	Turns the Motor on at speed two.
	Flashing	<b>Delay function:</b> Press and hold the button for approx. 2 seconds to Activate/Deactivate the Delay function (automatic switching off of the Motor, the Fans and the Lighting with a 30' delay). Cannot be enabled when Intensive or 24h are on.
<b>T3</b>	Fixed	Turns the Motor on at speed three.
	-	Press and hold the button for approximately 2 seconds, with all the loads turned off (Motor and Lights), to reset the Filter saturation alarm. The LED <b>S1</b> flashes three times.
<b>T4</b>	Flashing	Turns the Motor on at <b>Intensive</b> . Speed. This speed is timed to run for 6 minutes. At the end of this time, the system returns automatically to the speed that was set before. If it is activated with the motor turned off, the hood will switch to OFF at the end of the time.
	-	Press and hold the button for approximately 2 seconds, with all the loads turned off (Motor and Lights), to turn the Activated Charcoal Filter alarm on. The 4 LEDs on the buttons flash twice to confirm. To turn the alarm off, press the button again and hold for at least 5 seconds. The 4 LEDs on the buttons flash once.
<b>S1</b>	Fixed	Signals the Metal Grease Filter saturation alarm, indicating that it is necessary to wash the filters. The alarm is triggered after the Hood has been in operation for 100 working hours.
	Flashing	When this is activated, it signals the Activated Charcoal Filter saturation alarm, indicating that the filter must be changed; the Metal Grease Filters must also be washed. The Activated Charcoal Filter saturation alarm comes into operation after the Hood has been working for 200 hours.

## REMOTE CONTROL (OPTIONAL)

The remote control is powered by a CR2032 type 3 V battery (not included).

- Do not place the remote control near heat sources.
- Do not discard the batteries with normal waste, they must be put into the specific containers.



	 Turns the motor On and Off.
	 -
	 -
	Turns the lights On/Off. Press and hold for 2sec to turn the Hood lights On/Off at reduced intensity.
	Activates/Deactivates Intensive operation.
	Brief pressure: Activates/Deactivates the Delay function: automatic switch-off with a 30' delay. The display shows the operating speed and the dot at the bottom right flashes once a second.
	Press for 2 seconds: Activates/Deactivates the 24h function: turns the suction motor on at speed one and effects one 10 minute extraction every hour. The display shows the number 24 and the dot at the bottom right flashes once a second.
	Increases the working speed of the motor.
	Decreases the working speed of the motor.

## Cleaning metal grease filters

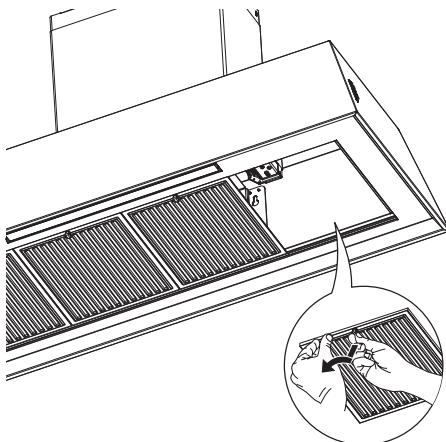
These can be washed in the dishwasher, and need to be cleaned whenever the S1 Led comes on or at least once every 2 months use, or more frequently if use is particularly intensive.

### Resetting the alarm signal

- Turn the Lights and the Suction Motor off.
- Press T3 and hold for at least 3 seconds, until LED flashes three times in confirmation.

### Cleaning

- Remove the filter, pushing the lever towards the back of the unit and at the same time pulling downward.
- Wash the filter without bending it, leave it to dry thoroughly before replacing (if the surface of the filter changes color over time, this will have absolutely no effect on its efficiency).
- Replace, taking care to ensure that the handle faces forward.
- No water can be present in filters before installing back in hood.



## Replacing Activated Charcoal Filter

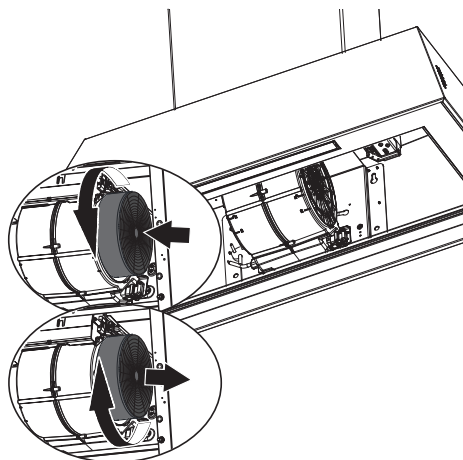
This cannot be washed or regenerated, and must be changed when led S1 starts to flash, or at least once every 4 months. The Alarm signal, if it has been activated, only appears when the Suction motor is turned on.

### Resetting the alarm signal

- Turn the Lights and the Suction Motor off.
- Press T3 and hold for at least 3 seconds, until LED flashes three times in confirmation.

### Cleaning

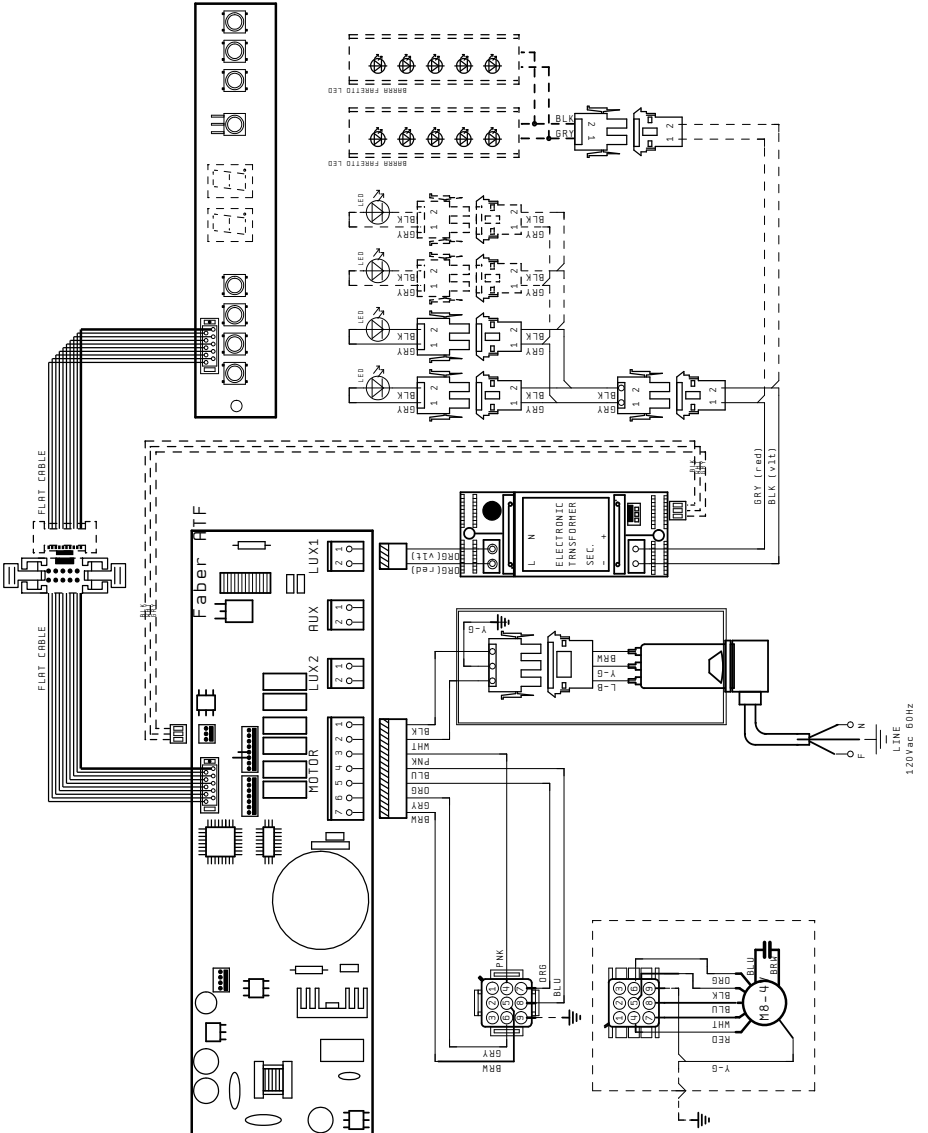
- Remove the charcoal filter by rotating it clockwise (backwards) until it unlocks from the motor housing and pull off sideways.
- To re-insert each charcoal filter, place up against the side of the blower and push it inward. Then turn the charcoal filter clockwise (forward) until it fits into place.
- **CAUTION:** When used in recirculation mode, to Reduce the Risk of Fire and Shock use only conversion Charcoal Accessory.



## LED LIGHTING UNIT

- LED lights must be replaced by Bertazzoni factory authorized service.

# Wiring Diagram





Please kindly register on our web site [www.bertazzoni.com](http://www.bertazzoni.com) to validate your new product warranty and help us to assist you better in case of any inconvenience.

### **TWO YEAR LIMITED WARRANTY**

The warranties provided by Bertazzoni Spain in this statement apply exclusively to Bertazzoni appliances and accessories sold as new products to the original owner by a Bertazzoni authorized distributor, retailer, dealer or service center and installed in the United States and Canada. The warranties provided in this statement are not transferable and have validity from the date of installation.

### **COVERAGE INFORMATION**

Bertazzoni SpA will repair or replace any component part which fails or proves defective due to materials and/or workmanship within 2 years from the date of installation and under conditions of normal residential use. Repair or replacement will be free of charge, including labor at standard rates and shipping expenses. Repair service must be performed by a Bertazzoni Authorized Service Center during normal working hours.

### **COSMETIC WARRANTY**

Bertazzoni will cover parts showing cosmetic defects in material and workmanship for a period of thirty (30) days from date of installation of the unit. This coverage will include scratches, stains, surface imperfections on stainless steel, paint and porcelain, with the exclusion of slight differences in color due to materials and painting/enamelling technologies.

Exclusions are labor costs, B stock items, out - of - box appliances and display units.

### **HOW TO OBTAIN SERVICE**

To obtain service please contact Bertazzoni Customer Service at the numbers below and make sure to have model number, serial number, and date of purchase ready. This information will be requested by our team and is crucial to speeding up resolution.

#### **UNITED STATES**

<https://us.bertazzoni.com/more/support>

Phone: 866-905-0010

#### **CANADA**

<https://ca.bertazzoni.com/more/support>

Phone : 800-361-0799

Save proof of original purchase or of original installation to establish warranty period. Copy of the product serial tag is affixed to the back cover of the instruction manual.

### **WHAT IS NOT COVERED**

1. The product used in any commercial/business application.
2. Repair service provided by other than a Bertazzoni authorized service agent.
3. Damage or repair service to correct service provided by an unauthorized agency or the use of unauthorized parts.
4. Installation not in accordance with local electrical codes or plumbing codes.
5. Defects or damage due to improper storage of the product.
6. Defects or damage or missing parts on products sold out of the original factory packaging or from displays.
7. Service calls or repairs to correct the installation of the product and/or related accessories.
8. Service calls to connect, convert or otherwise repair the electrical wiring / gas line / water line to properly use the product.
9. Service calls to provide instructions on the use of a Bertazzoni product.
10. Repair service due to product usage in manner other than what is normal and customary for home use.
11. Replacement of wear and tear parts.
12. Replacement of glasses and lightbulbs if they are claimed to have failed later than 30 days after installation and in no case later than 4 months after date of purchase.
13. Defects and damages arising from accident, alteration, misuse, abuse, improper installation.
14. Defects and damages arising from transportation of the product to the home of the owner.
15. Defects and damage arising from external forces beyond the control of Bertazzoni SpA such as fire, flood, earthquakes and other acts of God.

**In case the product will be installed in a remote area, where certified trained technicians are not reasonably available, the customer will be responsible for the transportation costs for the delivery of the product to the nearest authorized service center or for the displacement costs of a certified trained technician.**

**Bertazzoni does not assume any responsibility for incidental or consequential damages.** Some states do not allow the exclusion or limitation of incidental or consequential damages, so the above limitation or exclusion may not apply to you. This warranty gives you specific legal rights and you may also have other rights which may vary from state to state or province to province.

# VEUILLEZ LIRE ET CONSERVER LA PRÉSENTE NOTICE AVANT DE COMMENCER L'INSTALLATION DE LA HOTTE DE CUISINE

**AVERTISSEMENT : POUR RÉDUIRE LE RISQUE D'UN FEU DE GRAISSE SUR LA TABLE DE CUISSON :**

- a) Ne laissez jamais sans surveillance les éléments de la surface de cuisson à température élevée. Les bouillonnements excessifs peuvent provoquer de la fumée et les débordements de graisse peuvent s'enflammer. L'huile doit être chauffée lentement, à une température basse ou moyenne.
- b) Assurez-vous de toujours mettre en marche le ventilateur de la hotte lorsque vous cuisinez à température élevée ou préparez un mets flambé (p.ex. crêpes Suzette, cerises jubilé, bœuf flambé).
- c) Nettoyez régulièrement les ventilateurs d'aspiration. Assurez-vous de ne pas laisser de la graisse s'accumuler sur le ventilateur ou le filtre.
- d) Utilisez toujours des poêles et casseroles de la taille appropriée. Utilisez toujours des ustensiles de cuisine de la taille adaptée à celle de l'élément chauffant.

**AVERTISSEMENT : - POUR PRÉVENIR LES BLESSURES EN CAS DE FEU DE GRAISSE SUR LA TABLE DE CUISSON, SUIVEZ LES RECOMMANDATIONS SUIVANTES\* :**

- a) ÉTOUFFEZ LES FLAMMES à l'aide d'un couvercle hermétique, d'une plaque à biscuits ou d'un plateau métallique, puis éteignez le brûleur. FAITES ATTENTION AUX BRÛLURES. Si le feu ne s'éteint pas immédiatement, QUITTEZ LES LIEUX ET APPELEZ LES POMPIERS.
- b) NE PRENEZ JAMAIS UNE CASSEROLE EN FLAMME - Vous pourriez vous brûler.
- c) N'UTILISEZ JAMAIS DE L'EAU, ni un linge à vaisselle ou un torchon mouillé, pour éteindre le feu. Cela pourrait provoquer une violente explosion de vapeur.
- d) Utilisez un extincteur UNIQUEMENT si :
  1. Vous êtes certain qu'il s'agit d'un extincteur de classe ABC et que vous connaissez bien son mode d'emploi.
  2. Le feu est de faible intensité et se limite à l'endroit où il a démarré.
  3. Les pompiers ont déjà été appelés.
  4. Une voie de sortie se trouve derrière vous pendant que vous éteignez les flammes.

\* D'après le guide « Kitchen Firesafety Tips » publié par la NFPA aux États-Unis

**AVERTISSEMENT - POUR RÉDUIRE LE RISQUE D'INCENDIE OU DE CHOC ÉLECTRIQUE, n'utilisez jamais ce ventilateur en association avec un dispositif de réglage de vitesse à semi-conducteurs.**

**AVERTISSEMENT - POUR RÉDUIRE LES RISQUES D'INCENDIE, DE CHOC ÉLECTRIQUE OU DE BLESSURE CORPORELLE, RESPECTEZ LES INSTRUCTIONS SUIVANTES :**

1. Utilisez cet appareil uniquement de la façon prévue par le fabricant. Pour toute question, communiquez avec le fabricant.
2. Avant de procéder à l'entretien ou au nettoyage de l'appareil, coupez l'alimentation au niveau du panneau électrique et verrouillez-le pour vous assurer que l'électricité n'est pas rétablie accidentellement. S'il n'est pas possible de verrouiller le dispositif d'interruption de l'alimentation, affichez de façon ferme et bien visible un avis de danger, par exemple à l'aide d'une étiquette sur le panneau.

**ATTENTION : Destiné à un usage de ventilation générale uniquement. N'utilisez pas ce dispositif pour l'aspiration de vapeurs ou de matériaux dangereux ou explosifs.**

**AVERTISSEMENT - POUR RÉDUIRE LES RISQUES D'INCENDIE, DE CHOC ÉLECTRIQUE OU DE BLESSURE CORPORELLE, RESPECTEZ LES INSTRUCTIONS SUIVANTES :**

1. L'installation et le branchement électrique doivent être réalisés par un technicien qualifié et conformément à tous les codes et normes en vigueur, incluant ceux concernant la construction à l'épreuve du feu.
2. Afin de garantir une combustion et une évacuation adéquates des gaz par les conduites de la cheminée des appareils à combustion, une bonne aération est nécessaire pour éviter le refoulement. Respectez les lignes directrices fournies par le fabricant du matériel chauffant, ainsi que les normes de sécurité comme celles publiées par la National Fire Protection Association (NFPA) et la American Society for Heating, Refrigeration and Air Conditioning Engineers (ASHRAE) aux États-Unis, ainsi que les codes en vigueur dans votre région.
3. Lorsque vous faites une ouverture ou percez dans un mur ou le plafond, veillez à ne pas endommager les fils électriques ou d'autres dispositifs cachés.
4. Les ventilateurs canalisés doivent toujours être raccordés à l'extérieur.

TOUTE OUVERTURE DANS LE MUR OU LE PLANCHER À PROXIMITÉ DE LA HOTTE DOIT ÊTRE SCELLÉE.

**Un espace libre d'au moins 24" est requis** entre le bas de la hotte et la surface de cuisson ou le comptoir. Cette hotte a été homologuée par l'UL à cette distance de la surface de cuisson.

L'espace libre minimal requis peut-être plus grand, selon la réglementation en matière de construction de votre région. Pour les cuisinières à gaz et les cuisinières combinées, un espace minimal de 30" est recommandé et pourrait être exigé.

Les armoires suspendues de chaque côté de l'appareil doivent se trouver à au moins 18" de la surface de cuisson ou du comptoir. Consultez la notice d'installation de la surface de cuisson ou de la cuisinière fournie par le fabricant avant de pratiquer des ouvertures.

**INSTALLATION DANS UNE MAISON MOBILE** L'installation de cette hotte doit être conforme à la Partie 3280 de la norme Manufactured Home Construction and Safety Standards, Title 24 CFR (précédemment la partie 280 de la norme Federal Standard for Mobile Home Construction and Safety, Title 24, HUD). Consultez la fiche technique électrique.

### CRITÈRES DE VENTILATION

Déterminez quelle méthode de ventilation est mieux adaptée à votre application. Les conduits peuvent passer par le mur ou le toit.

Pour garantir une meilleure efficacité, la longueur des conduits et le nombre de coudes doivent être le plus limités que possible. Le diamètre des conduits devrait être uniforme. N'installez pas deux coudes ensemble. Utilisez un ruban pour canalisations afin de sceller tous les joints du système de conduits. Utilisez un calfeutrage pour sceller les ouvertures dans le mur extérieur ou le plancher, autour du clapet.

**Il n'est pas recommandé d'utiliser des conduits flexibles. Les conduits flexibles provoquent une contre-pression et de la turbulence qui diminuent grandement l'efficacité de l'appareil.**

Assurez-vous que l'espace libre dans le mur ou le plancher est suffisant pour le conduit d'évacuation avant de pratiquer les ouvertures. Ne coupez jamais une poutre ou un chevron, sauf si c'est absolument nécessaire. S'il s'avère nécessaire de couper une poutre ou un chevron, la construction d'un renforcement est requise.

**AVERTISSEMENT - Pour réduire le risque d'incendie, utilisez uniquement des conduits métalliques.**

**ATTENTION - Pour réduire le risque d'incendie et pour évacuer adéquatement l'air, assurez-vous de raccorder les conduits à l'extérieur – Ne diffusez pas l'air d'évacuation dans des espaces à l'intérieur des murs ou du plafond, ou encore à l'intérieur d'un grenier, d'une galerie technique ou d'un garage.**

### Installation dans les climats froids

Le système de ventilation doit prévoir un registre antirefoulement supplémentaire pour réduire le flux d'air froid inverse, ainsi qu'une barrière thermique non métallique pour réduire la conduction des températures extérieures. Le registre doit être installé du côté air froid par rapport à la barrière thermique. La barrière thermique doit être positionnée le plus près que possible de l'endroit où le système de ventilation pénètre dans la partie chauffée de la maison.



## AVERTISSEMENT

- Le système de ventilation DOIT déboucher à l'extérieur.
- **NE FAITES PAS** déboucher les conduits dans un grenier ou un autre endroit fermé.
- **N'UTILISEZ PAS** un clapet de sècheuse mural de 4 " .
- Il n'est pas recommandé d'utiliser des conduits flexibles.
- **N'ENTRAVEZ PAS** le flux de l'air de combustion et de ventilation.
- Le non-respect des exigences en matière de ventilation pourrait entraîner un incendie.

## FICHE TECHNIQUE ÉLECTRIQUE

Une alimentation de courant alternatif de 120 volt à 60 Hz est requise sur un circuit à fusible distinct de 15 ampères. Il est recommandé d'installer un fusible temporisé ou un disjoncteur. Le fusible doit être calibré conformément aux codes en vigueur pour les caractéristiques nominales électriques de l'appareil, indiquées sur la plaque signalétique située à l'intérieur de l'appareil, à proximité du compartiment des câblages externes.



# AVERTISSEMENT

- Une mise à la terre électrique est requise pour cette hotte.
- N'UTILISEZ PAS un tuyau d'eau froide pour la mise à la terre si celui-ci est branché par des joints en plastique, par des rondelles non métalliques ou d'autres matériaux.
- N'UTILISEZ PAS une conduite de gaz pour la mise à la terre.
- N'INSTALLEZ PAS un fusible sur le circuit neutre ou le circuit de mise à la terre. La présence d'un fusible dans le circuit neutre ou de mise à la terre peut entraîner un choc électrique.
- Consultez un électricien qualifié si vous n'êtes pas certain de la mise à la terre de la hotte.
- Le non-respect des exigences de la fiche technique électrique pourrait entraîner un incendie.

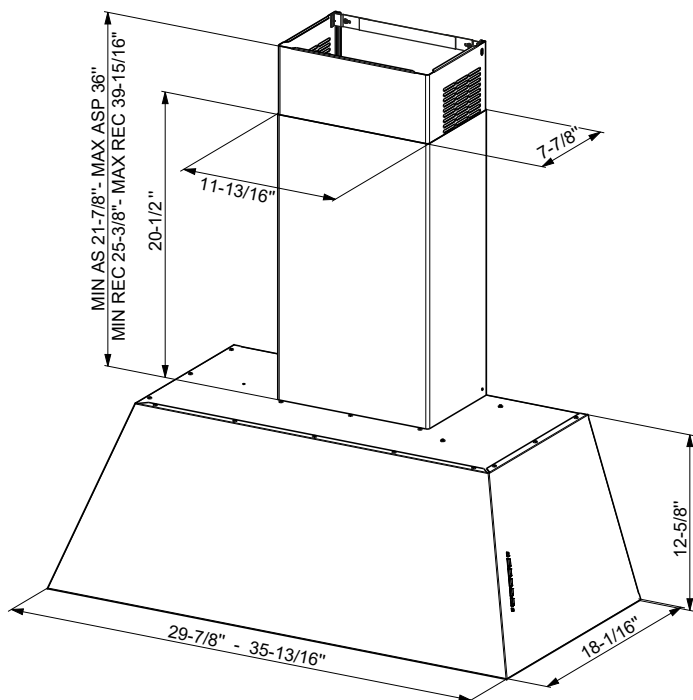
### **Avertissement de la proposition 65 de l'État de Californie (US seulement)**

#### **⚠ ATTENTION**

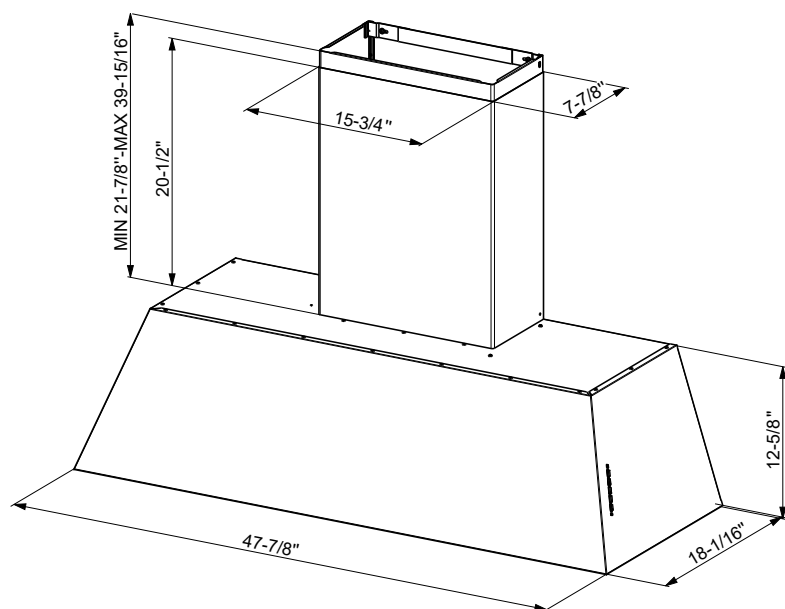
Ce produit contient des produits chimiques connus de l'État de Californie pour causer le cancer et des malformations congénitales ou d'autres problèmes de reproduction.

Pour plus d'informations, visitez [www.P65Warnings.ca.gov](http://www.P65Warnings.ca.gov)

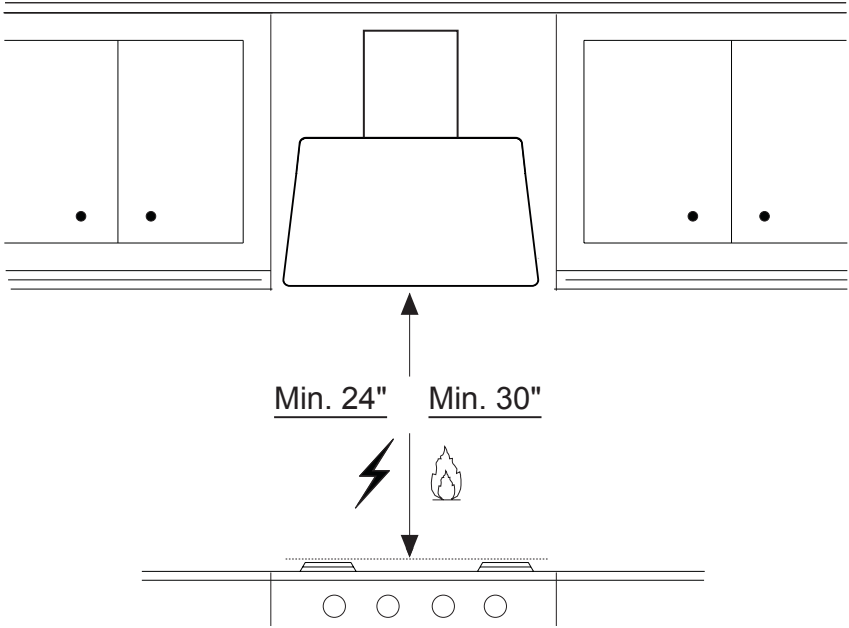
## DIMENSIONS DE LA HOTTE



<b>KMC30X</b>
<b>KMC30BI</b>
<b>KMC30NE</b>
<b>KMC36X</b>
<b>KMC36BI</b>
<b>KMC36NE</b>

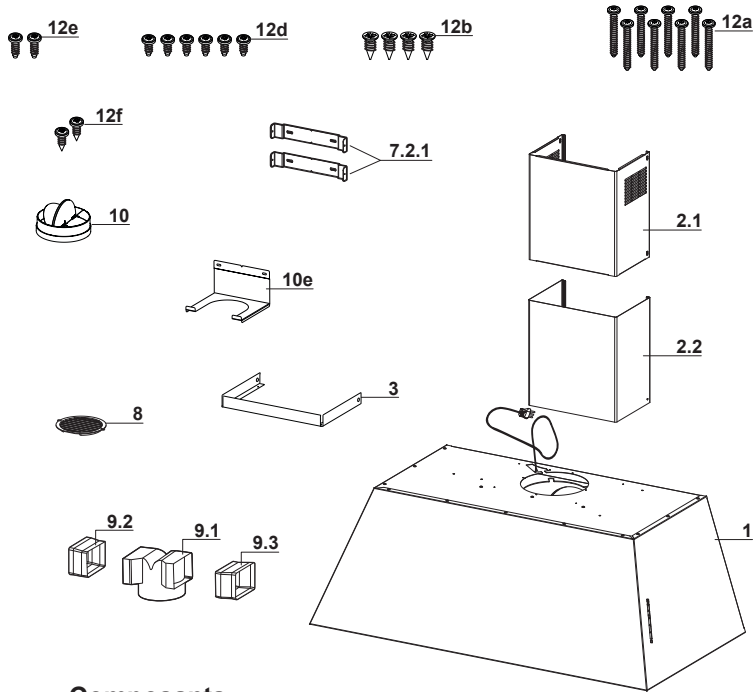


<b>KMC48X</b>
<b>KMC48BI</b>
<b>KMC48NE</b>



# PIÈCES PRINCIPALES

## KMC30X - KMC30BI - KMC30NE

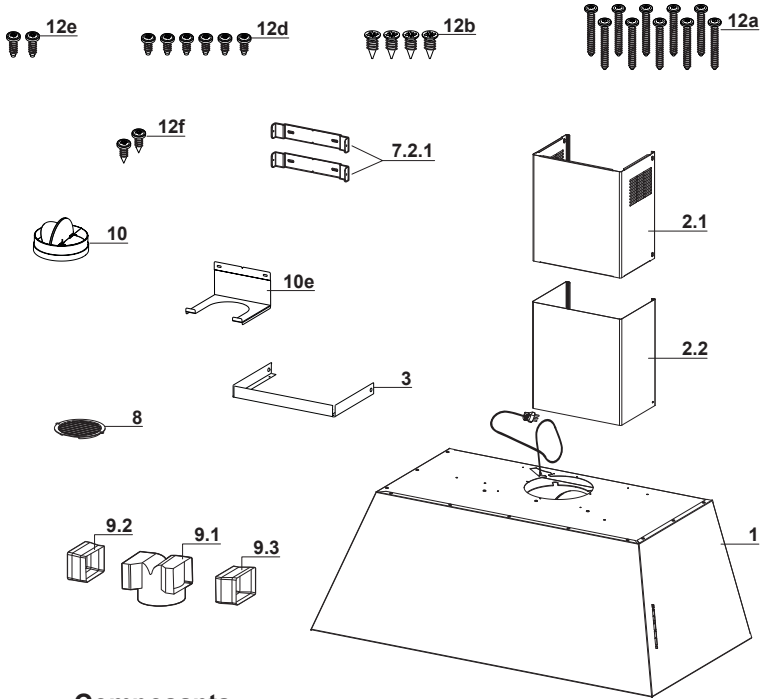


### Composants

Réf.	Qté.	Composants du produit
1	1	Bâti de la hotte avec : Commandes, Éclairage, Filtres, Ventilateur.
2	1	Cheminée télescopique, comprenant:
2.1	1	Section supérieure
2.2	1	Section inférieure
3	1	Équerre de fixation
10	1	Registre $\varnothing$ 5 7/8"
10e	1	Raccord de soutien pour recyclage
9	1	Raccord de recyclage, comprenant:
9.1	1	Raccord de recyclage
9.2	1	Intermédiaire de raccord de recyclage
9.3	1	Intermédiaire de raccord de recyclage
8	1	Grille d'évent de recyclage
Réf.	Qté.	Composants d'installation
7.2.1	2	Brides de fixation de section cheminée supérieure
12a	8	Vis 3/16" x 1 15/16"
12b	4	Vis 1/8" x 3/8"
12d	6	Vis 1/8" x 1/4"
12e	2	Vis 1/8" x 3/8"
12f	2	Vis 1/8" x 1/2"
Qté.	Documentation	
1	Mode d'emploi	

# PIÈCES PRINCIPALES

## KMC36X - KMC36BI - KMC36NE



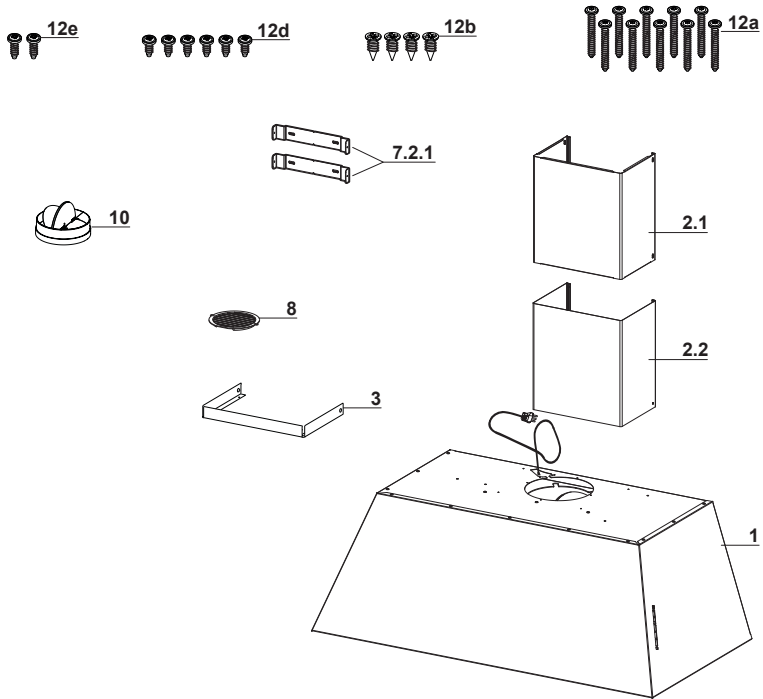
### Composants

Réf.	Qté.	Composants du produit
1	1	Bâti de la hotte avec : Commandes, Éclairage, Filtres, Ventilateur.
2	1	Cheminée télescopique, comprenant:
2.1	1	Section supérieure
2.2	1	Section inférieure
3	1	Équerre de fixation
10	1	Registre $\varnothing$ 5 7/8"
10e	1	Raccord de soutien pour recyclage
9	1	Raccord de recyclage, comprenant:
9.1	1	Raccord de recyclage
9.2	1	Intermédiaire de raccord de recyclage
9.3	1	Intermédiaire de raccord de recyclage
8	1	Grille d'évent de recyclage
Réf.	Qté.	Composants d'installation
7.2.1	2	Brides de fixation de section cheminée supérieure
12a	10	Vis 3/16" x 1 15/16"
12b	4	Vis 1/8" x 3/8"
12d	6	Vis 1/8" x 1/4"
12e	2	Vis 1/8" x 3/8"
12f	2	Vis 1/8" x 1/2"
Qté.	Documentation	
1	Mode d'emploi	



# PIÈCES PRINCIPALES

## KMC48X - KMC48BI - KMC48NE

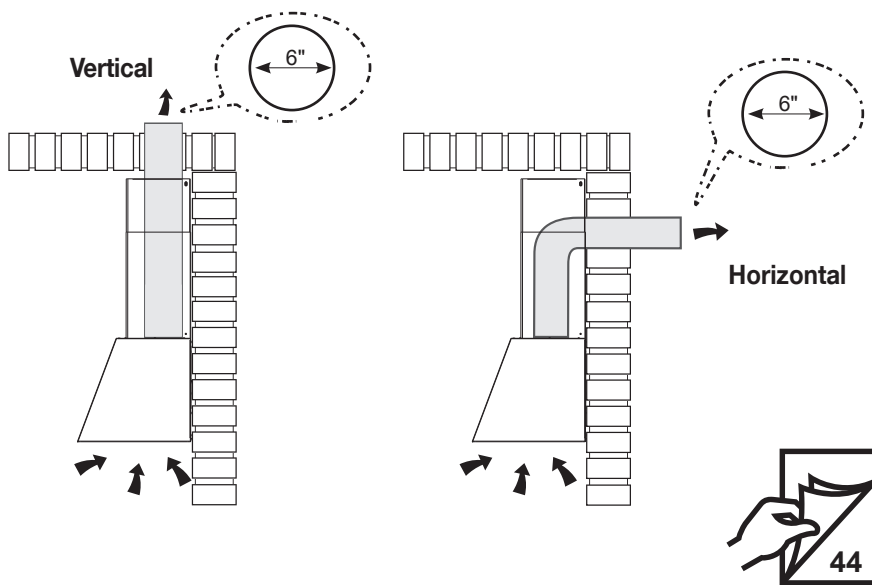


### Composants

Réf.	Qté.	Composants du produit
1	1	Bâti de la hotte avec : Commandes, Éclairage, Filtres, Ventilateur.
2	1	Cheminée télescopique, comprenant:
2.1	1	Section supérieure
2.2	1	Section inférieure
3	1	Équerre de fixation
10	1	Registre ø 5 7/8"
8	1	Grille d'évent de recyclage
Réf.	Qté.	Composants d'installation
7.2.1	2	Brides de fixation de section cheminée supérieure
12a	10	Vis 3/16" x 1 15/16"
12b	4	Vis 1/8" x 3/8"
12d	6	Vis 1/8" x 1/4"
12e	2	Vis 1/8" x 3/8"
Qté.	Documentation	
1	Mode d'emploi	

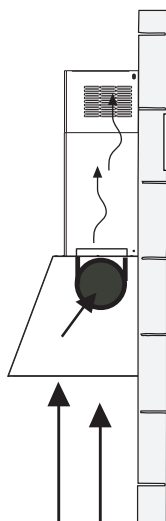
## Choisissez la méthode de canalisation INSTALLATION AVEC CHEMINÉE

### Installation avec ventilation canalisée



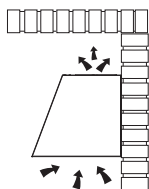
### Option sans canalisation, avec recyclage d'air

Exige  
l'achat de  
l'accessoire  
à charbon  
actif.



## Choisissez la méthode de canalisation INSTALLATION SANS CHEMINÉE

### Option sans canalisation, avec recyclage d'air

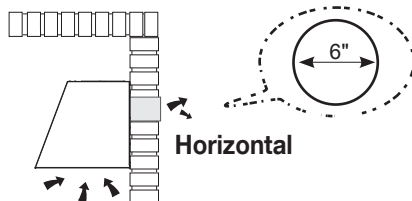


Exige l'achat de l'accessoire à charbon actif.

Pour réduire le risque d'incendie ou de choc électrique lorsque l'appareil est en mode recyclage, utilisez uniquement l'accessoire à charbon actif.

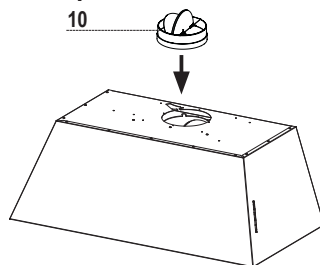


### Options d'installation avec ventilation canalisée



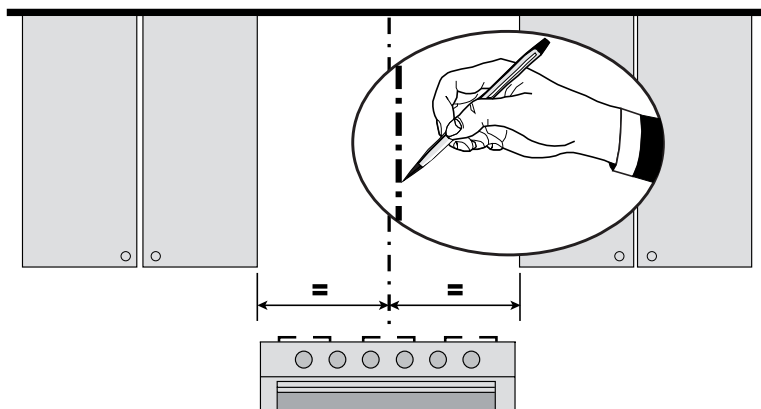
## Pour installation avec ventilation canalisée uniquement

Installez le registre inclus avec la hotte avant de la raccorder aux conduits.



## Notice d'installation

1

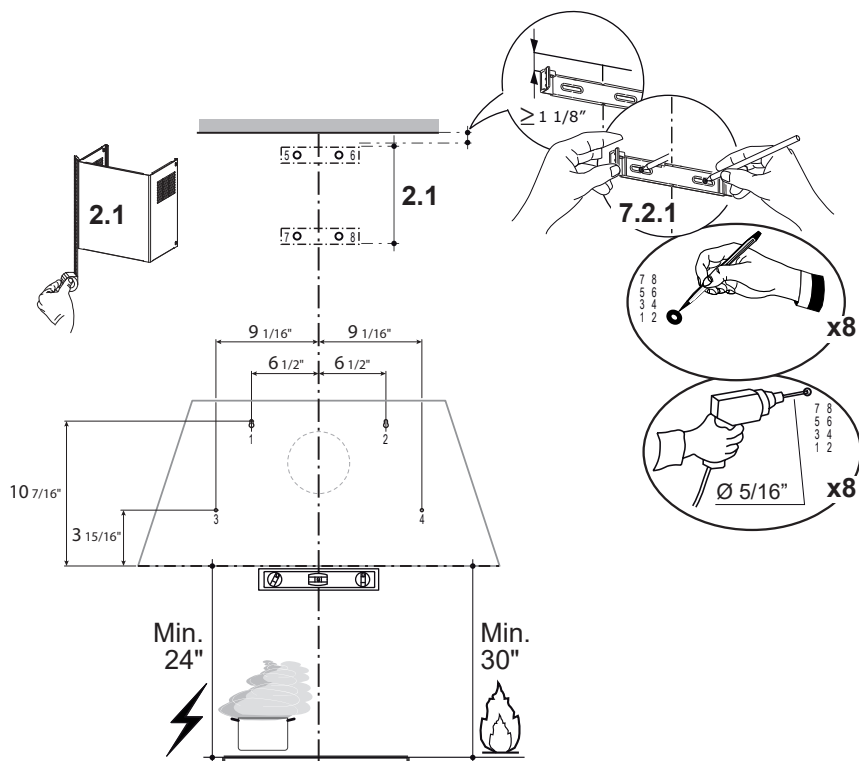


Tracez une ligne verticale sur le mur d'appui le plus haut que possible, au centre de l'emplacement où la hotte sera installée.

Tracez une ligne horizontale à l'endroit correspondant au bas de la hotte comme représenté dans l'illustration. Cet emplacement doit se trouver à une distance de 24" de la surface de cuisson au minimum si elle est électrique, et de 30" au minimum si elle est au gaz.

## 2.a

KMC30X
KMC30BI
KMC30NE



Tracez un repère sur le mur à l'endroit indiqué, 10 7/16" au-dessus de la ligne horizontale et à 6 1/2" de la ligne verticale, à droite et à gauche de cette dernière. Vérifiez si les deux repères sont à niveau. Insérez deux chevilles et deux vis dans les orifices comme illustré, pas complètement (achetées séparément).

Tracez un repère sur le mur à l'endroit indiqué, 3 15/16" au-dessus de la ligne horizontale et à 9 1/16" de la ligne verticale, à droite et à gauche de cette dernière. Vérifiez si les deux repères sont à niveau. Insérez deux chevilles (achetées séparément).

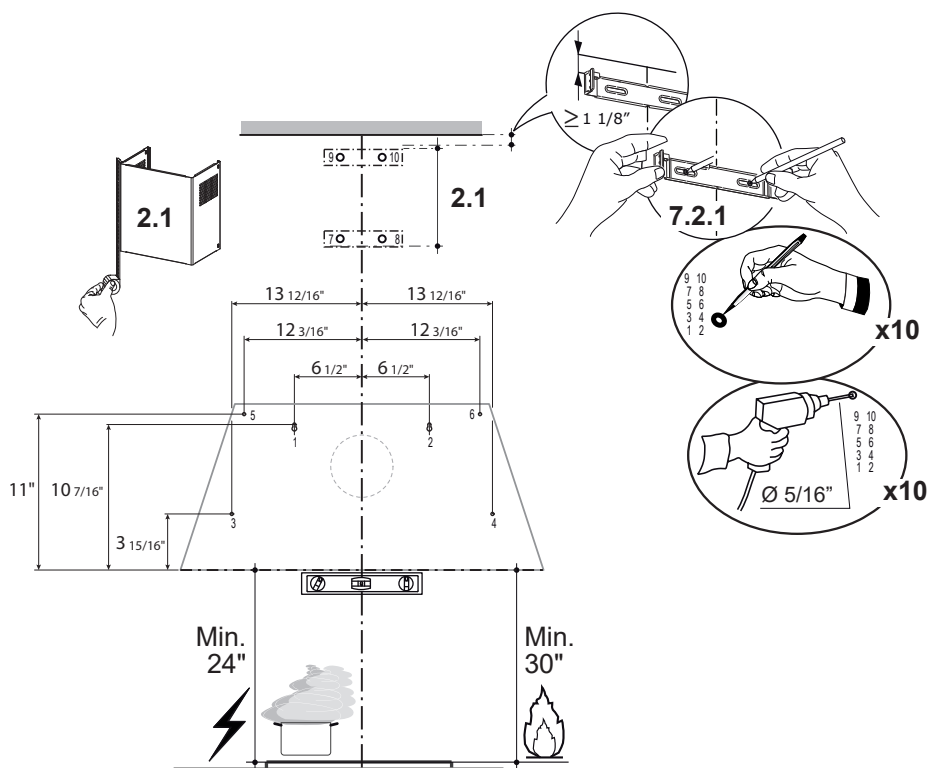
Placez une bride 7.2.1 sur le mur comme illustré, à environ 1 1/8" du plafond ou de la limite supérieure, en alignant le centre (encoche) avec la ligne de référence verticale. Marquez l'emplacement du centre des trous du support sur le mur.

Placez la deuxième bride 7.2.1 sur le mur comme illustré, sous la première bride, à la hauteur de la section supérieure de la cheminée fournie. Alignez les centres (encoche) avec la ligne verticale.

Tracez un repère sur le mur, au centre des trous de la bride et percez des trous de  $\varnothing 5/16"$  comme illustré. Les vis d'installation fournies pour les brides doivent être renforcées par des chevilles (achetées séparément).

## 2.b

KMC36X
KMC36BI
KMC36NE



Tracez un repère sur le mur à l'endroit indiqué, 10 7/16" au-dessus de la ligne horizontale et à 6 1/2" de la ligne verticale, à droite et à gauche de cette dernière. Vérifiez si les deux repères sont à niveau. Insérez deux chevilles et deux vis dans les orifices comme illustré, pas complètement (achetées séparément).

Tracez un repère sur le mur à l'endroit indiqué, 3 15/16" au-dessus de la ligne horizontale et à 13 12/16" de la ligne verticale, à droite et à gauche de cette dernière. Vérifiez si les deux repères sont à niveau. Insérez deux chevilles (achetées séparément).

Tracez un repère sur le mur à l'endroit indiqué, 11" au-dessus de la ligne horizontale et à 12 3/16" de la ligne verticale, à droite et à gauche de cette dernière. Vérifiez si les deux repères sont à niveau. Insérez deux chevilles (achetées séparément).

Placez une bride 7.2.1 sur le mur comme illustré, à environ 1 1/8" du plafond ou de la limite supérieure, en alignant le centre (encoche) avec la ligne de référence verticale. Marquez l'emplacement du centre des trous du support sur le mur.

Placez la deuxième bride 7.2.1 sur le mur comme illustré, sous la première bride, à la hauteur de la section supérieure de la cheminée fournie. Alignez les centres (encoche) avec la ligne verticale.

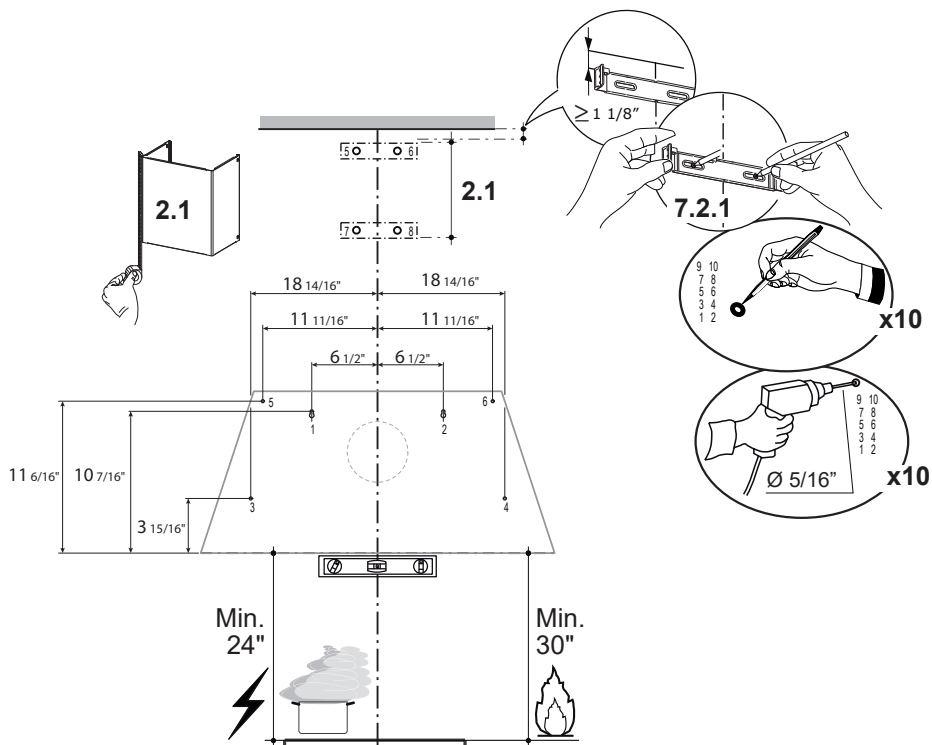
Tracez un repère sur le mur, au centre des trous de la bride et percez des trous de  $\varnothing$  5/16" comme illustré. Les vis d'installation fournies pour les brides doivent être renforcées par des chevilles (achetées séparément).

## 2.c

KMC48X

KMC48BI

KMC48NE



Tracez un repère sur le mur à l'endroit indiqué,  $10\ 7/16''$  au-dessus de la ligne horizontale et à  $6\ 1/2''$  de la ligne verticale, à droite et à gauche de cette dernière. Vérifiez si les deux repères sont à niveau. Insérez deux chevilles et deux vis dans les orifices comme illustré, pas complètement (achetées séparément).

Tracez un repère sur le mur à l'endroit indiqué,  $3\ 15/16''$  au-dessus de la ligne horizontale et à  $18\ 14/16''$  de la ligne verticale, à droite et à gauche de cette dernière. Vérifiez si les deux repères sont à niveau. Insérez deux chevilles (achetées séparément).

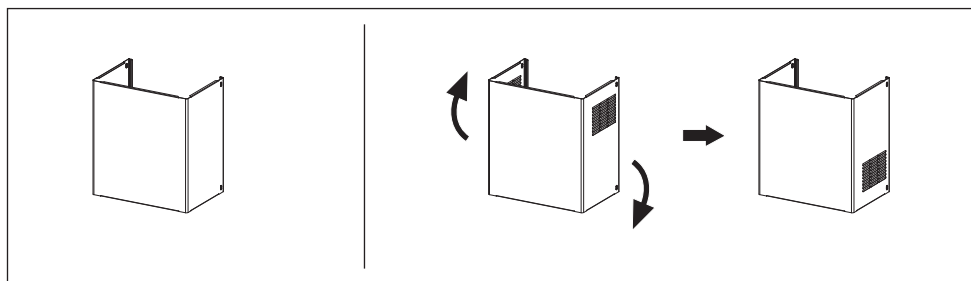
Tracez un repère sur le mur à l'endroit indiqué,  $11\ 6/16''$  au-dessus de la ligne horizontale et à  $11\ 11/16''$  de la ligne verticale, à droite et à gauche de cette dernière. Vérifiez si les deux repères sont à niveau. Insérez deux chevilles (achetées séparément).

Placez une bride 7.2.1 sur le mur comme illustré, à environ  $1\ 1/8''$  du plafond ou de la limite supérieure, en alignant le centre (encoche) avec la ligne de référence verticale. Marquez l'emplacement du centre des trous du support sur le mur.

Placez la deuxième bride 7.2.1 sur le mur comme illustré, sous la première bride, à la hauteur de la section supérieure de la cheminée fournie. Alignez les centres (encoche) avec la ligne verticale.

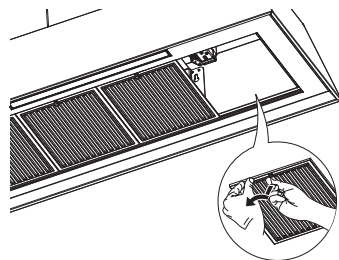
Tracez un repère sur le mur, au centre des trous de la bride et percez des trous de  $\varnothing\ 5/16''$  comme illustré. Les vis d'installation fournies pour les brides doivent être renforcées par des chevilles (achetées séparément).

## INSTALLATION AVEC CHEMINÉE



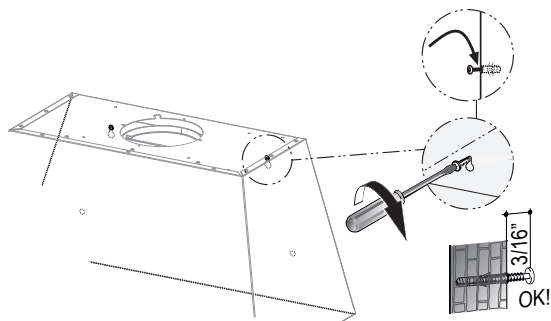
**3**

Retirez les filtres un à un, en les soutenant d'une main et en tournant les boutons de sécurité (tirez vers vous et tournez).  
Ne jetez pas les filtres, mais conservez-les pour plus tard.

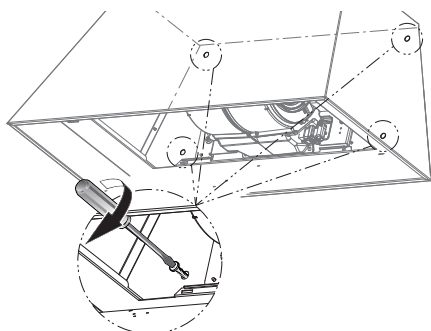


**4**

Engagez et fixez le bâti de la hotte sur le mur.

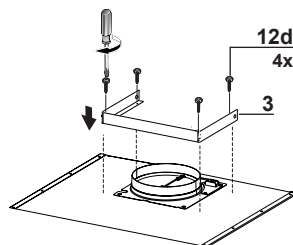


**5**



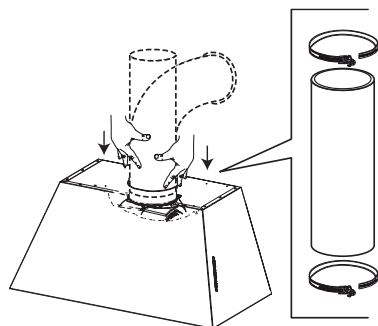
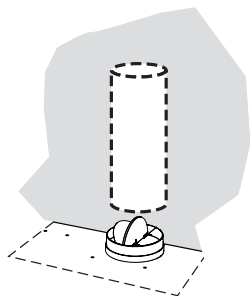
Depuis l'intérieur, vissez à fond les vis 12a.

**6**

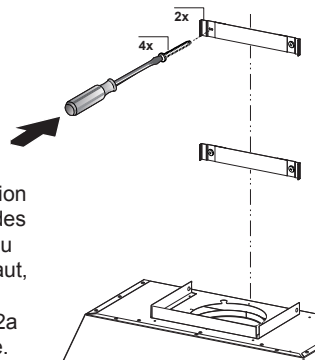


Utilisez les quatre vis pour fixer l'étrier d'assemblage.

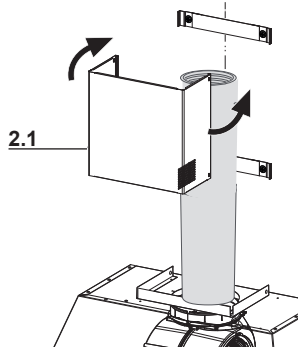


**7****Installation avec canalisation vertical ou horizontal**

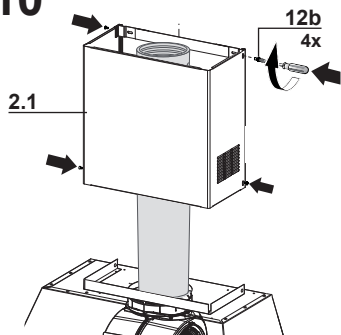
Installez le clapet de toiture ou le clapet mural acheté séparément. Raccordez le conduit métallique de 6" au clapet de toiture ou au clapet mural, puis raccordez les conduits.

**8**

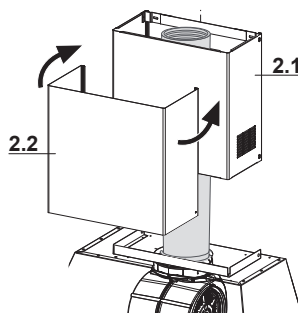
Installez les 2 brides de fixation 7.2.1 à l'aide des trous percés au milieu et au haut, et fixez-les à l'aide de vis 12a comme illustré.

**9**

Écartez légèrement les deux côtés de la cheminée supérieure et engagez-les derrière les brides 7.2.1, en vous assurant qu'ils sont solidement ancrés.

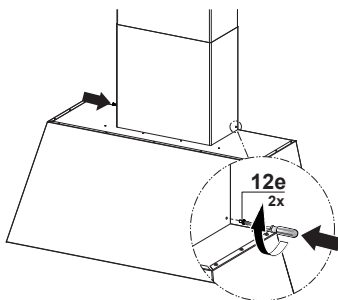
**10**

Fixez les côtés aux brides à l'aide des 4 vis 12b.

**11**

Écartez légèrement les deux côtés de la section inférieure et assemblez-les entre la section supérieure et le mur, en vous assurant qu'ils sont correctement installés.

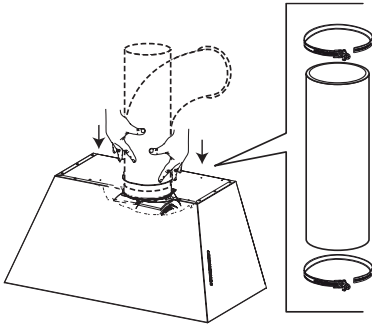
# 12



Fixez la section inférieure de la cheminée de hotte latéralement sur le bâti de la hotte à l'aide des 2 vis 12e fournies.

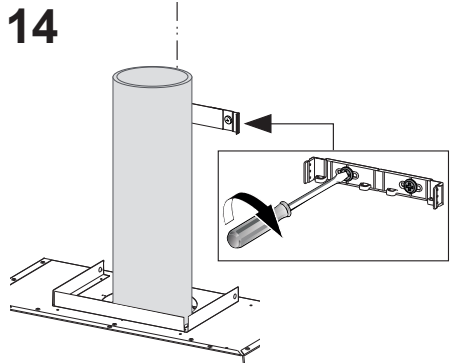
# 13

## Option non canalisée avec recirculation d'air



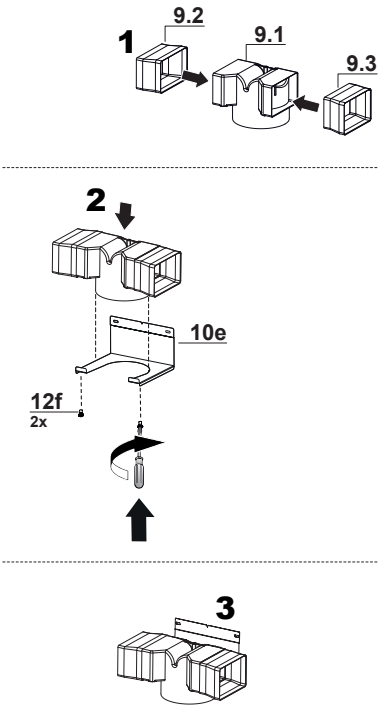
Pour la version à recirculation d'air uniquement, branchez la hotte à la sortie d'air.

# 14



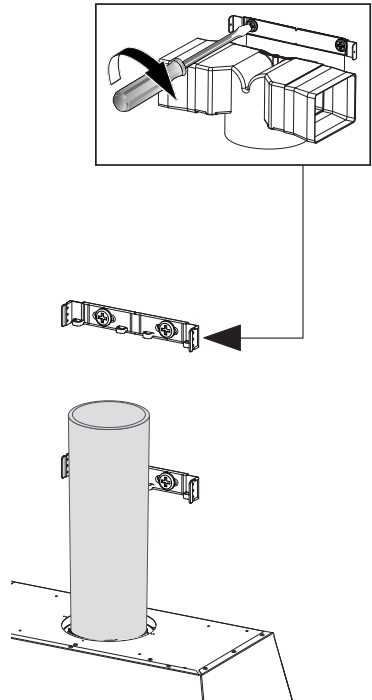
Fixez la bride 7.2.1 inférieure à l'aide de deux vis 12a fournies, comme illustré.

# 15



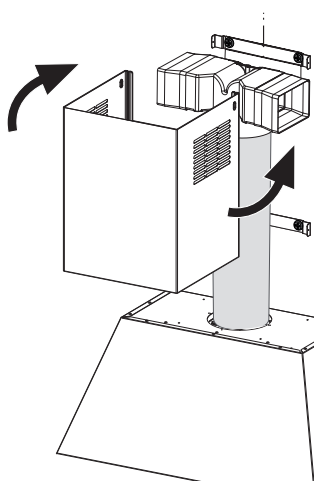
Fixez le déflecteur de recyclage à l'aide de deux vis 12f fournies, comme illustré.

# 16



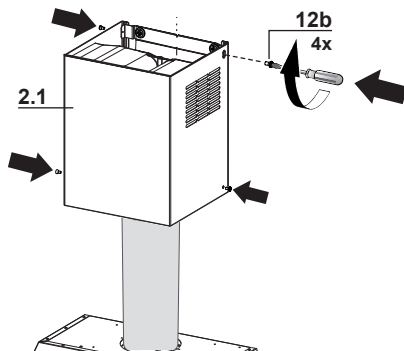
Fixez le déflecteur de recyclage à l'aide de deux vis 12a fournies, comme illustré.

# 17



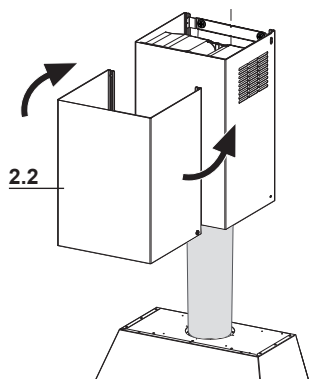
Écartez légèrement les deux côtés de la cheminée supérieure et engagez-les derrière les brides, et raccordez le déflecteur de recyclage, en vous assurant qu'ils sont solidement ancrés.

# 18



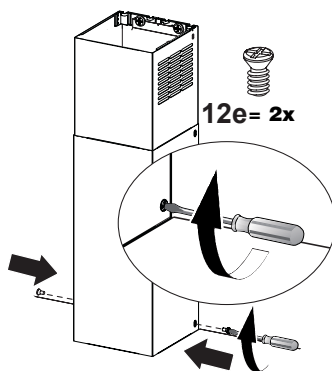
Fixez les côtés aux brides à l'aide des 4 vis 12b.

# 19



Écartez légèrement les deux côtés de la cheminée supérieure et engagez-les derrière les brides, et raccordez le déflecteur de recyclage, en vous assurant qu'ils sont solidement ancrés.

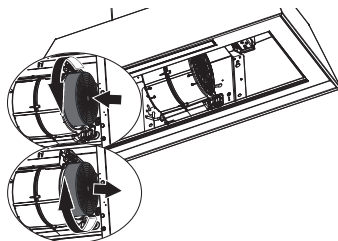
# 20



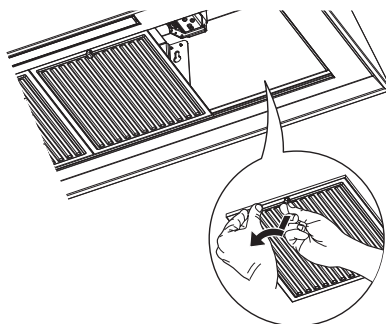
Fixez les côtés aux brides à l'aide des 4 vis 12e.

## 21

Fixez les filtres à charbon à la grille noire de chaque côté du ventilateur. Pressez fermement le filtre à charbon contre la grille noire de chaque côté du ventilateur et faites tourner le filtre dans le sens des aiguilles d'une montre (vers l'avant de la hotte) jusqu'à ce qu'il soit verrouillé en place. Faites tourner dans le sens contraire des aiguilles d'une montre (vers l'arrière de la hotte) pour l'enlever.



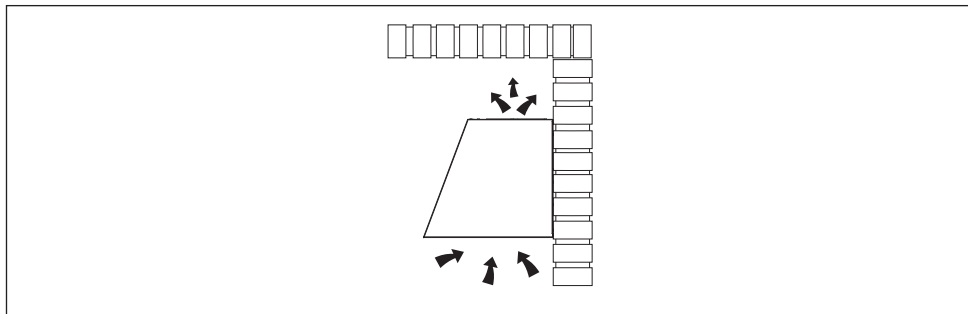
## 22



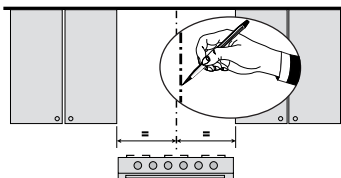
Remettez en place les filtres un à un, en les soutenant d'une main et en tournant les boutons de sécurité (tirez vers vous et tournez). Ne jetez pas les filtres, mais conservez-les pour plus tard.

## INSTALLATION SANS CHEMINÉE

### Option sans canalisation, avec recyclage d'air

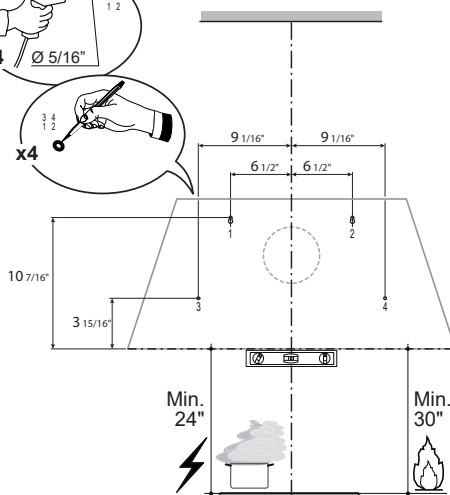
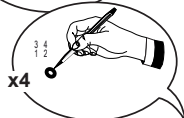
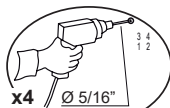


**1**



Tracez une ligne verticale sur le mur d'appui le plus haut que possible, au centre de l'emplacement où la hotte sera installée. Tracez une ligne horizontale à l'endroit correspondant au bas de la hotte comme représenté dans l'illustration. Cet emplacement doit se trouver à une distance de 24" de la surface de cuisson au minimum si elle est électrique, et de 30" au minimum si elle est au gaz.

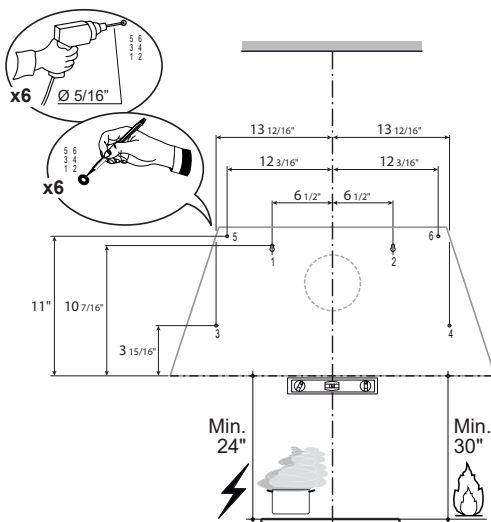
**2.a**



<b>KMC30X</b>
<b>KMC30BI</b>
<b>KMC30NE</b>

Tracez une ligne horizontale à la distance indiquée au-dessus de la surface de cuisson. Tracez un repère sur le mur, au centre des trous de la bride et à l'emplacement des points 1 et 2 pour l'installation du bâti de la hotte, comme illustré. Percez des trous de  $\varnothing$  5/16" au centre des repères (points 1, 2, 3, 4), comme illustré.

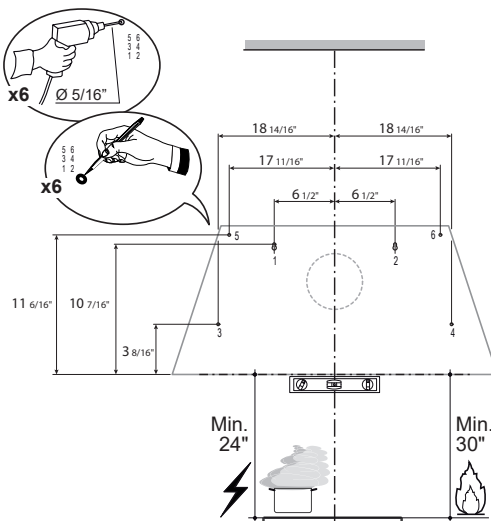
## 2.b



**KMC36X**  
**KMC36BI**  
**KMC36NE**

Tracez une ligne horizontale à la distance indiquée au-dessus de la surface de cuisson.  
Tracez un repère sur le mur, au centre des trous de la bride et à l'emplacement des points 1 et 2 pour l'installation du bâti de la hotte, comme illustré.  
Percez des trous de Ø 5/16" au centre des repères (points 1, 2, 3, 4, 5, 6), comme illustré.

## 2.c

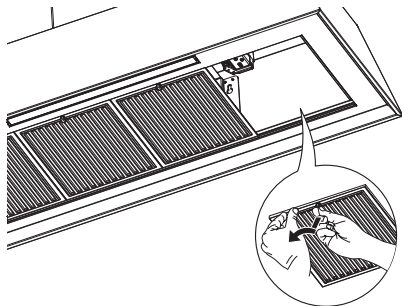


**KMC48X**  
**KMC48BI**  
**KMC48NE**

Tracez une ligne horizontale à la distance indiquée au-dessus de la surface de cuisson.  
Tracez un repère sur le mur, au centre des trous de la bride et à l'emplacement des points 1 et 2 pour l'installation du bâti de la hotte, comme illustré.  
Percez des trous de Ø 5/16" au centre des repères (points 1, 2, 3, 4, 5, 6), comme illustré.

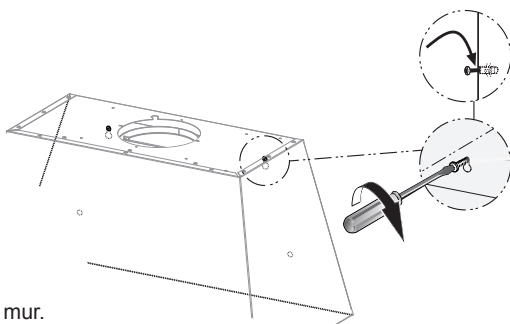
# 3

Retirez les filtres un à un, en les soutenant d'une main et en tournant les boutons de sécurité (tirez vers vous et tournez).  
Ne jetez pas les filtres, mais conservez-les pour plus tard.



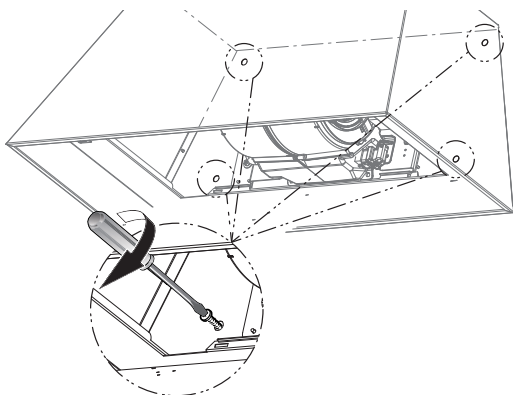
# 4

Engagez et fixez le bâti de la hotte sur le mur.



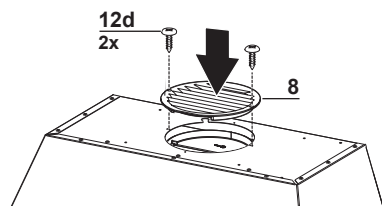
# 5

Depuis l'intérieur, vissez à fond les vis 12a.



# 6

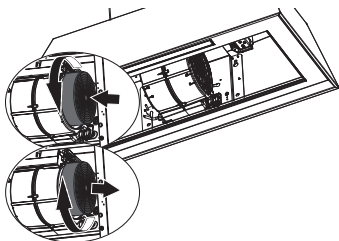
Fixez la grille d'évent de recyclage à l'aide de deux vis.



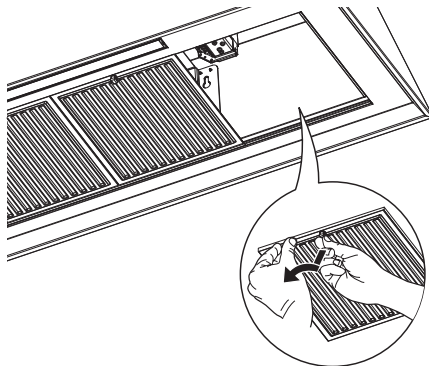


# 7

Fixez les filtres à charbon à la grille noire de chaque côté du ventilateur. Pressez fermement le filtre à charbon contre la grille noire de chaque côté du ventilateur et faites tourner le filtre dans le sens des aiguilles d'une montre (vers l'avant de la hotte) jusqu'à ce qu'il soit verrouillé en place. Faites tourner dans le sens contraire des aiguilles d'une montre (vers l'arrière de la hotte) pour l'enlever.



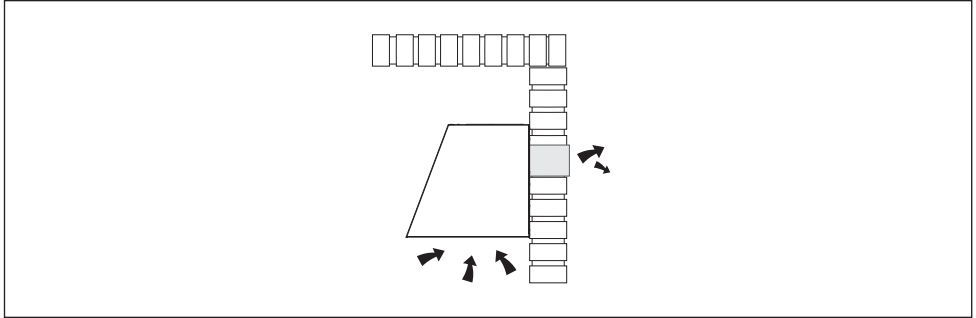
# 8



Remettez en place les filtres un à un, en les soutenant d'une main et en tournant les boutons de sécurité (tirez vers vous et tournez). Ne jetez pas les filtres, mais conservez-les pour plus tard.

## INSTALLATION SANS CHEMINÉE

### Options d'installation avec ventilation canalisée



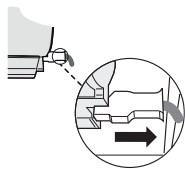
**1**

<b>KMC30X</b>
<b>KMC30BI</b>
<b>KMC30NE</b>
<b>KMC36X</b>
<b>KMC36BI</b>
<b>KMC36NE</b>
<b>KMC48X</b>
<b>KMC48BI</b>
<b>KMC48NE</b>

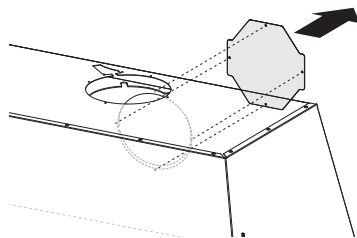
Utilisez ce schéma des dimensions pour vous aider à planifier le raccord de la canalisation.

**2**

Retirez les filtres un à un, en les soutenant d'une main et en tournant les boutons de sécurité (tirez vers vous et tournez).  
Ne jetez pas les filtres, mais conservez-les pour plus tard.

**3**

Depuis l'intérieur de la hotte, rebranchez les connecteurs du côté droit, illustré sur l'image ci-dessus.

**4**

Dévissez les 4 vis qui retiennent la plaque et détachez-la de la position initiale, comme illustré.

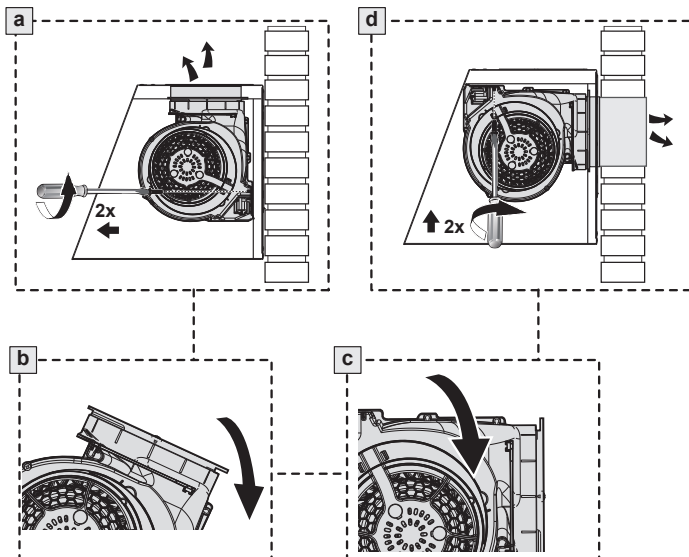
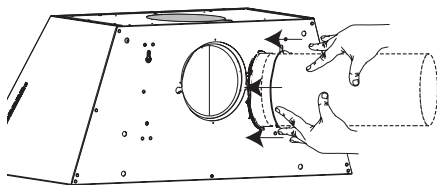
**5**

**Avertissement! Évitez de solliciter le câble d'alimentation durant l'opération de rotation du ventilateur et cette étape doit être menée par au moins deux personnes.**

Dévissez les 2 vis qui retiennent le ventilateur et déverrouillez-le de sa position initiale, comme illustré sur l'image A.

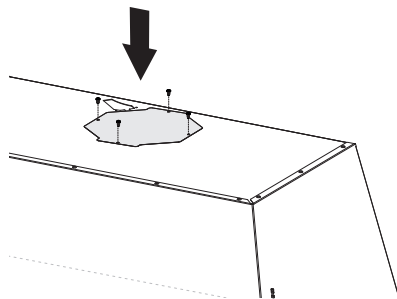
Après avoir retiré le ventilateur, tournez-le comme illustré jusqu'à qu'il se trouve dans la position correcte de ventilation arrière, comme illustré sur les images B-C.

Utilisez les deux vis qui ont été retirées pour fixer le ventilateur, comme illustré sur l'image D.

**6**

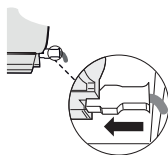
Procédez à l'installation sur la canalisation liée à la toiture ou au mur.

7



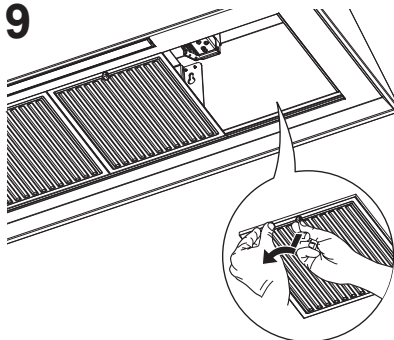
Utilisez les quatre vis ayant été retirées pour fixer la plaque comme illustré sur l'image.

8



Depuis l'intérieur de la hotte, rebranchez les connecteurs du côté droit, illustré sur l'image ci-dessus.

9



Remettez en place les filtres un à un, en les soutenant d'une main et en tournant les boutons de sécurité (tirez vers vous et tournez). Ne jetez pas les filtres, mais conservez-les pour plus tard.

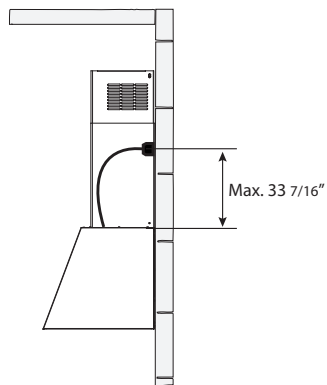
## INSTALLATION ÉLECTRIQUE AVEC CÂBLE DE CONNEXION

**INSTRUCTIONS DE MISE À LA TERRE** Cet appareil doit être mis à la terre. La mise à la terre réduit le risque de choc électrique en cas de court-circuit, car elle fournit un fil d'évacuation au courant électrique. Cet appareil est muni d'un cordon présentant un fil de mise à la terre, avec une fiche de mise à la terre. La fiche doit être insérée dans une prise correctement installée et mise à la terre.

**AVERTISSEMENT** - Une mise à la terre inadéquate peut entraîner un choc électrique.

Consultez un électricien qualifié si vous ne comprenez pas parfaitement les instructions de mise à la terre ou si vous avez des doutes quant à la mise à la terre de l'appareil.

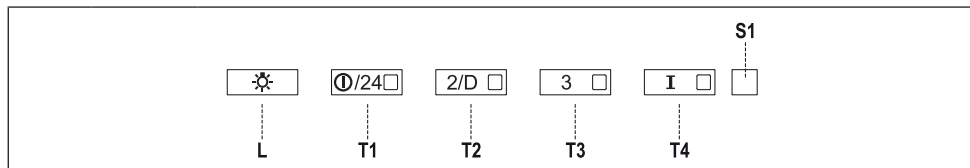
N'utilisez pas de rallonge. Si le cordon d'alimentation est trop court, demandez à un électricien qualifié d'installer une prise à proximité de l'appareil.



## INFORMATIONS POUR L'UTILISATION ET L'ENTRETIEN

### Pour de meilleurs résultats

Activez la hotte quelques minutes avant de commencer à cuisiner pour créer un flux d'air adéquat. Laissez la hotte fonctionner quelques minutes après avoir fini de cuisiner pour absorber toute la fumée et les odeurs de la cuisine.

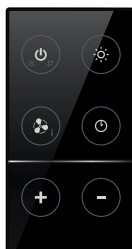


Bouton	DEL	Fonction
<b>L</b>	-	Allume/Éteint l'éclairage à la puissance maximale.
	-	Tenez enfoncé pendant 2 secondes pour allumer/éteindre l'éclairage de la hotte à une intensité réduite.
<b>T1</b>	Fixe	Allume et éteint le moteur à la vitesse un.
	Clignotant	<b>Fonction 24h :</b> Tenez ce bouton enfoncé pendant environ 2 secondes pour activer/désactiver le moteur en modalité Circulation d'air 24h, une vitesse qui permet la circulation de l'air pendant 10 minutes toutes les heures, pendant un cycle de 24 heures. Ne peut pas être activé si le mode « Vitesse intensive » ou « Arrêt retardé » est activé.
<b>T2</b>	Fixe	Allume le moteur à la vitesse deux.
	Clignotant	<b>Fonction d'arrêt retardé :</b> Tenez ce bouton enfoncé pendant environ 2 secondes pour activer/désactiver la fonction d'arrêt retardé (désactivation automatique du moteur, des ventilateurs et de l'éclairage après un délai de 30 min). Ne peut être activée si le mode « Vitesse intensive » ou « 24h » est activé.
<b>T3</b>	Fixe	Allume le moteur à la vitesse trois.
	-	Tenez ce bouton enfoncé pendant environ 2 secondes, lorsque tous les dispositifs sont éteints (moteur et éclairage), pour réinitialiser l'alarme de saturation du filtre. Le témoin DEL <b>S1</b> clignote trois fois.
<b>T4</b>	Clignotant	Allume le moteur à la vitesse <b>Intensive</b> . Cette vitesse est programmée pour fonctionner pendant 6 minutes. Après ce délai, le système retournera automatiquement à la vitesse sélectionnée précédemment. Si cette modalité est activée tandis que le moteur est éteint, la hotte s'éteindra après le délai.
	-	Tenez ce bouton enfoncé pendant environ 2 secondes, lorsque tous les dispositifs sont éteints (moteur et éclairage), pour activer l'alarme du filtre à charbon actif. Les 4 témoins DEL sur les boutons clignotent deux fois pour confirmer. Pour éteindre l'alarme, appuyez de nouveau sur le bouton et tenez-le enfoncé pendant au moins 5 secondes. Les 4 témoins DEL sur les boutons clignotent une fois.
<b>S1</b>	Fixe	L'alarme de saturation du filtre à graisse métallique signale qu'il est nécessaire de nettoyer les filtres. L'alarme s'active lorsque la hotte a été en fonction pendant 100 heures.
	Clignotant	Lorsqu'elle est activée, l'alarme de saturation du filtre à charbon actif signale que le filtre doit être changé. Les filtres à graisse métalliques doivent également être nettoyés. L'alarme de saturation du filtre à charbon actif s'active lorsque la hotte a été en fonction pendant 200 heures.

## TÉLÉCOMMANDE (EN OPTION)

La télécommande est alimentée par une pile de type CR2032 de 3 V (non incluse).

- Ne déposez pas la télécommande à proximité de sources de chaleur.
- Ne jetez pas les piles avec les déchets normaux, elles doivent être jetées de la manière appropriée.



⏻	Allume et éteint le moteur.
⏻	↕ -
⏻	☼ -
☼	Allume/éteint l'éclairage. Tenez enfoncé pendant 2 secondes pour allumer/éteindre l'éclairage de la hotte à une intensité réduite.
🌀	🌀 Active/désactive le fonctionnement à la vitesse intensive.
⌚	Pression brève : Active/désactive la fonction d'arrêt retardé : désactivation automatique après un délai de 30 min. L'écran affiche la vitesse de fonctionnement et le point en bas à droite clignote toutes les secondes. Pression pendant 2 secondes : Active/désactive la fonction 24h : met le moteur d'aspiration en marche à la vitesse un et effectue une extraction de 10 minutes toutes les heures. L'écran affiche « 24 » et le point en bas à droite clignote toutes les secondes.
+	Augmente la vitesse de fonctionnement du moteur.
-	Diminue la vitesse de fonctionnement du moteur.

## Nettoyage des filtres à graisse métalliques

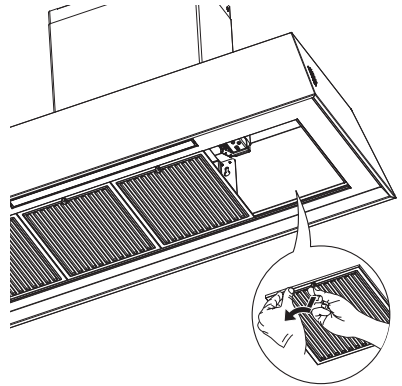
Ils peuvent être lavés dans le lave-vaisselle et doivent être nettoyés lorsque le témoin DEL S1 s'allume ou au moins une fois tous les 2 mois d'usage, ou encore plus fréquemment en cas d'utilisation particulièrement intensive.

### Réinitialisation du signal d'alarme

- Éteint l'éclairage et le moteur d'aspiration.
- Appuyez sur T3 et tenez-le enfoncé pendant au moins 3 secondes, jusqu'à ce que le témoin DEL clignote 3 fois pour confirmer.

### Nettoyage

- Retirez le filtre, en poussant simultanément le levier vers l'arrière de l'appareil et en le tirant vers le bas.
- Lavez le filtre sans le plier. Laissez-le sécher complètement avant de le réinstaller (un changement de la couleur à la surface du filtre au fil du temps n'a aucun impact sur son efficacité).
- Remettez-le en place, en vous assurant que la poignée se trouve vers l'avant.
- Aucune eau ne peut être présente dans les filtres avant la réinstallation dans la hotte.



## Remplacement du filtre à charbon actif

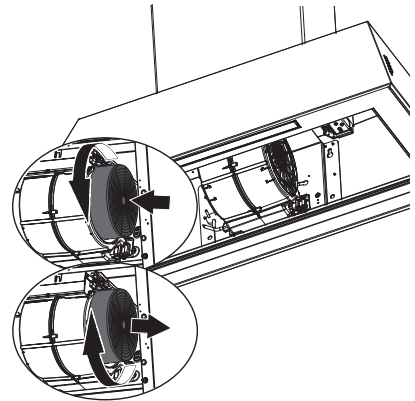
Il ne peut être lavé ni régénéré, et doit être changé lorsque le témoin DEL S1 commence à clignoter, ou au moins une fois tous les 4 mois. Si le signal d'alarme a été activé, il apparaît uniquement lorsque le moteur d'aspiration est activé.

### Réinitialisation du signal d'alarme

- Éteint l'éclairage et le moteur d'aspiration.
- Appuyez sur T3 et tenez-le enfoncé pendant au moins 3 secondes, jusqu'à ce que le témoin DEL clignote 3 fois pour confirmer.

### Nettoyage

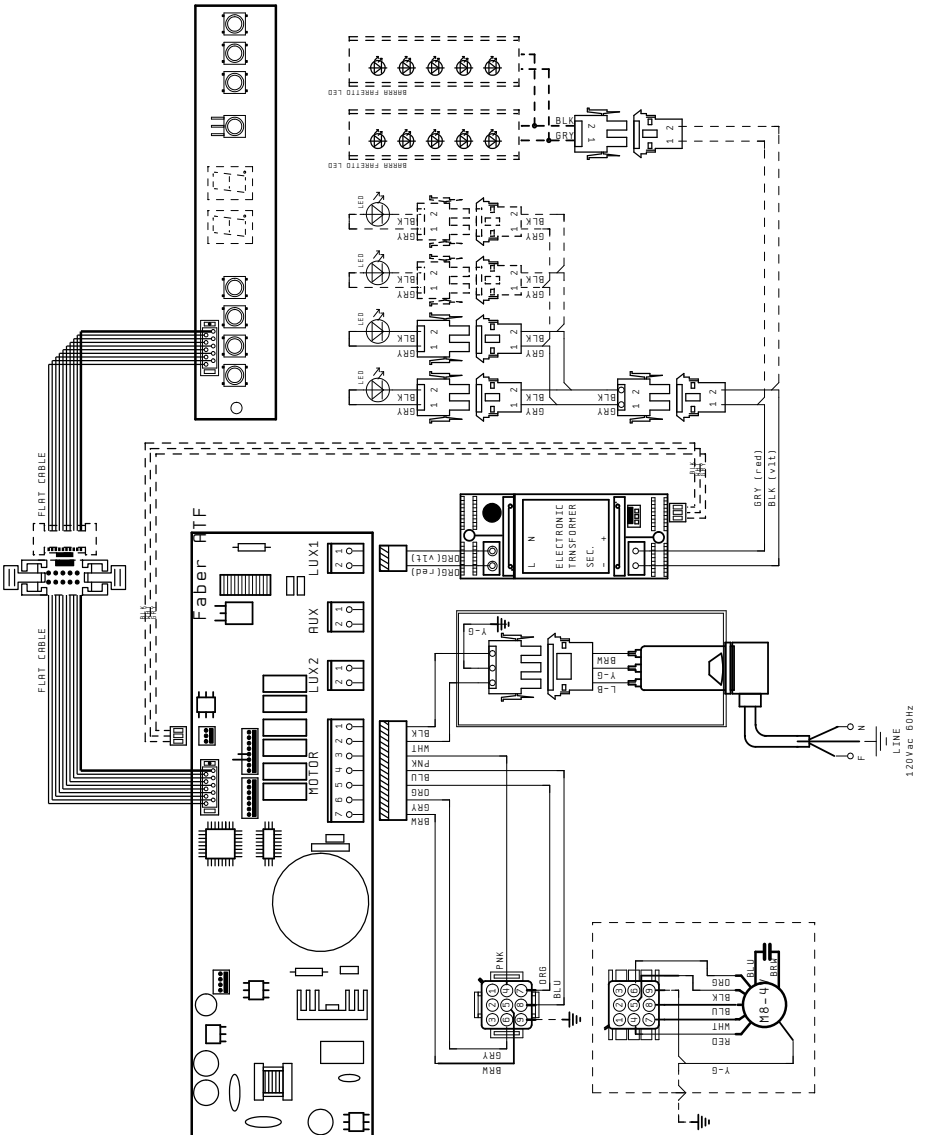
- Enlevez le filtre à charbon en le faisant tourner dans le sens des aiguilles d'une montre (vers l'arrière) jusqu'à ce qu'il se dégage du carter du moteur, puis en le tirant vers le côté.
- Pour réinsérer les filtres à charbon, placez-les sur le côté du ventilateur et poussez-les vers l'intérieur. Tournez ensuite le filtre à charbon dans le sens des aiguilles d'une montre (vers l'avant) jusqu'à ce qu'il soit bien installé.
- **ATTENTION:** Pour réduire le risque d'incendie ou de choc électrique lorsque l'appareil est utilisé en mode recyclage, utilisez uniquement l'accessoire à charbon actif.



## SYSTÈME D'ÉCLAIRAGE À DEL

- Les ampoules DEL doivent être remplacées par un service d'entretien autorisé Bertazzoni.

# Schéma de câblage





Nous Vous prions de bien vouloir vous enregistrer sur notre site web [www.bertazzoni.com](http://www.bertazzoni.com) pour valider votre garantie du nouveau produit et nous aider à Vous aider dans le cas de dommages.

## **GARANTIE LIMITEE DE DEUX ANS**

Les garanties offertes par Bertazzoni SpA dans cette déclaration s'appliquent exclusivement aux appareils et composants Bertazzoni vendus comme neufs au propriétaire original par un distributeur, détaillant, concessionnaire ou centre de service autorisé et installés aux Etats-Unis et Canada. Les garanties fournies dans cette déclaration peuvent pas être transférées et sont valables à partir de la date d'installation.

### **INFORMATIONS SUR LA COUVERTURE**

Bertazzoni SpA procédera à la réparation ou remplacera tout composant défectueux à cause des matériaux et/ou fabrication pendant 2 ans à compter de la date d'installation et dans les conditions normales d'utilisation dans le cadre familial. La réparation ou le remplacement seront effectués à titre gratuit et incluront les frais de main-d'œuvre au tarif normal et les frais d'expédition. Les réparations doivent être effectuées par un Centre de Service Bertazzoni Autorisé pendant les heures de travail normales. Les défauts doivent être signalés dans les 30 jours qui suivent l'installation. Cette garantie ne couvre pas l'utilisation du produit dans le cadre commercial.

### **GARANTIE ESTHETIQUE**

Bertazzoni SpA couvre les pièces présentant des défauts cosmétiques de matériaux et de fabrication pour une période de trente (30) jours à compter de la date d'installation de l'unité. Cette couverture inclut les rayures, les taches, les imperfections de surface sur l'acier inoxydable, de la peinture et de la porcelaine, à l'exclusion de légères différences de couleur dues à des matériaux et des technologies de peinture / émailage.

**Les coûts de main-d'œuvre, B stock, appareils out-of-box et les unités d'affichage sont exclus COMMENT**

### **OBTENIR LE SERVICE CLIENT**

Pour obtenir le service de garantie, veuillez contacter Bertazzoni Customer Service aux numéros indiqués ci-dessous et fournir le numéro du modèle, le numéro de série et la date d'achat.

Cette information sera demandée par notre équipe et sera très important pour accélérer la résolution du problème.

#### **UNITED STATES**

<https://us.bertazzoni.com/more/support>

Phone: 866-905-0010

#### **CANADA**

<https://ca.bertazzoni.com/more/support>

Phone : 800-361-0799

Il faut conserver la preuve d'achat ou l'origine de l'installation afin d'établir la période de garantie. Une copie du numéro de série sera collée derrière le manuel d'emploi.

### **CE QUI NE SERA PAS PRIS EN CHARGE**

1. Le produit utilisé dans toute application commerciale/commerciale.
2. Service de réparation fourni par un agent de service autorisé autre que Bertazzoni.
3. N'importe quel dommage ou service de réparation nécessaire pour corriger un service effectué par un agence non autorisé et/ou par suite d'utilisation de pièces non autorisées.
4. Installation non conforme aux codes électriques locaux ou aux codes de plomberie.
5. Les défauts ou dommages dus à une mauvaise conservation du produit.
6. Les défauts ou dommages et les pièces oubliés sur les produits vendus au dehors de l'emballage d'origine ou d'affichage.
7. Les appels de service ou des réparations pour corriger l'installation du produit et / ou accessoires.
8. Les appels de service pour se connecter, ou réparer le câblage électrique et / ou de gaz afin d'utiliser le produit d'une façon correcte.
9. Les appels de service pour fournir des instructions sur l'utilisation d'un produit Bertazzoni.
10. Service de réparation dû à une utilisation différente que celle standard et habituel à la maison.
11. Remplacement des pièces d'usure.
12. Remplacement des verres et des ampoules si elles sont échoués au plus tard 30 jours après l'installation et en aucun cas plus tard 4 mois après la date d'achat.
13. Défauts et dommages résultant d'un accident, modification, mésusage, abus, mauvaise installation.
14. Défauts et dommages résultant du transport du produit à la maison du propriétaire.
15. Les défauts et les dommages résultant de forces externes qui échappent au contrôle de Bertazzoni SpA tels que les incendies, les inondations, les tremblements de terre et autres catastrophes naturelles.

**Au cas où le produit sera installé dans une zone, là où techniciens qualifiés certifiés ne sont pas raisonnablement disponibles, le client sera responsable des coûts de transport pour la livraison du produit au centre de service autorisé le plus proche, ou pour les coûts de déplacement d'un technicien qualifié certifié Bertazzoni exclut toute responsabilité pour les dommages accidentels ou indirects.** Certains pays n'autorisent pas l'exclusion ou la limitation des dommages accidentels ou indirects, la limitation indiquée plus haut peut donc ne pas s'appliquer à vous. Cette garantie vous offre des droits spécifiques et vous pouvez bénéficier d'autres droits qui peuvent varier d'un Etat à l'autre et d'une province à l'autre.





