
BERTAZZONI
INSTALLATION AND USER MANUAL
ISLAND T-SHAPE DESIGN HOODS

EN

BERTAZZONI
INSTRUCTIONS D'INSTALLATION ET D'UTILISATION
HOTTE D'INSTALLATION EN ÎLOT

FR



CONTENTS

| Section | Page |
|--|-------------|
| IMPORTANT SAFETY INSTRUCTIONS | 3 |
| RANGE HOOD DIMENSIONS | 6 |
| INSTALLATION HEIGHT REQUIREMENTS | 7 |
| PARTS | 8 |
| TOOLS NEEDED | 10 |
| VENTING METHOD | 11 |
| COMPONENTS FOR INSTALLATION TO THE CEILING | 12 |
| INSTALLING | 12 |
| OPERATING THE CONTROLS | 24 |
| CLEANING STAINLESS STEEL | 26 |
| CARING FOR FILTERS | 26 |
| REPLACING ACTIVATED CHARCOAL FILTER | 27 |
| REPLACING BULBS | 27 |
| WIRING DIAGRAM | 28 |
| WARRANTY | 29 |

IMPORTANT SAFETY INSTRUCTIONS

READ AND SAVE THESE INSTRUCTIONS BEFORE YOU START INSTALLING THIS Range Hood

WARNING: - TO REDUCE THE RISK OF A RANGE TOP GREASE FIRE:

- a) Never leave surface units unattended at high settings. Boilovers cause smoking and greasy spillovers that may ignite. Heat oils slowly on low or medium setting.
- b) Always turn hood ON when cooking at high heat or when flambeing food (i.e. Crepes Suzette, Cherries Jubilee, Peppercorn Beef Flambé).
- c) Clean ventilating fans frequently. Grease should not be allowed to accumulate on fan or filter.
- d) Use proper pan size. Always use cookware appropriate for the size of the surface element.

WARNING: - TO REDUCE THE RISK OF INJURY TO PERSONS IN THE EVENT OF A RANGE TOP GREASE FIRE, OBSERVE THE FOLLOWING*:

- a) **SMOTHER FLAMES** with a close-fitting lid, cookie sheet, or metal tray, then turn off the burner. **BE CAREFUL TO PREVENT BURNS.** If the flames do not go out immediately **EVACUATE AND CALL THE FIRE DEPARTMENT.**
- b) **NEVER PICK UP A FLAMING PAN** - You may be burned.
- c) **DO NOT USE WATER**, including wet dishcloths or towels - a violent steam explosion will result.
- d) Use an extinguisher **ONLY** if:
 1. You know you have a Class ABC extinguisher, and you already know how to operate it.
 2. The fire is small and contained in the area where it started.
 3. The fire department is being called.
 4. You can fight the fire with your back to an exit.

* Based on "Kitchen Firesafety Tips" published by NFPA

WARNING - TO REDUCE THE RISK OF FIRE OR ELECTRIC SHOCK, do not use this fan with any solid-state speed control device.

WARNING - TO REDUCE THE RISK OF FIRE, ELECTRICAL SHOCK, OR INJURY TO PERSONS, OBSERVE THE FOLLOWING:

1. Use this unit only in the manner intended by the manufacturer. If you have any questions, contact the manufacturer.
2. Before servicing or cleaning unit, switch power off at service panel and lock the service disconnecting means to prevent power from being switched on accidentally. When the service disconnecting means cannot be locked, securely fasten a prominent warning device, such as a tag, to the service panel.

CAUTION: For General Ventilating Use Only. Do Not Use To Exhaust Hazardous or Explosive Materials and Vapors.

WARNING - TO REDUCE THE RISK OF FIRE, ELECTRICAL SHOCK, OR INJURY TO PERSONS, OBSERVE THE FOLLOWING:

1. Installation Work And Electrical Wiring Must Be Done By Qualified Person(s) In Accordance With All Applicable Codes And Standards, Including Fire-Rated Construction.
2. Sufficient air is needed for proper combustion and exhausting of gases through the flue (chimney) of fuel burning equipment to prevent backdrafting. Follow the heating equipment manufacturer's guideline and safety standards such as those published by the National Fire Protection Association (NFPA), and the American Society for Heating, Refrigeration and Air Conditioning Engineers (ASHRAE), and the local code authorities.
3. When cutting or drilling into wall or ceiling, do not damage electrical wiring and other hidden utilities.
4. Ducted fans must always be vented to the outdoors.

ALL WALL AND FLOOR OPENINGS WHERE THE Range Hood IS INSTALLED MUST BE SEALED.

This Range Hood requires at least 24" of clearance between the bottom of the Range Hood and the cooking surface or countertop. This hood has been approved by UL at this distance from the cooktop. This minimum clearance may be higher depending on local building codes. For gas cooktops and combination ranges, a minimum of 30" is recommended and may be required.

Overhead cabinets on both sides of this unit must be a minimum of 18" above the cooking surface or countertop. Consult the cooktop or range installation instructions given by the manufacturer before making any cutouts.

MOBILE HOME INSTALLATION The installation of this Range Hood must conform to the Manufactured Home Construction and Safety Standards, Title 24 CFR, Part 3280 (formerly Federal Standard for Mobile Home Construction and Safety, Title 24, HUD, Part 280). See Electrical Requirements"

VENTING REQUIREMENTS

Determine which venting method is best for your application. Ductwork can extend either through the wall or the roof.

The length of the ductwork and the number of elbows should be kept to a minimum to provide efficient performance. The size of the ductwork should be uniform. Do not install two elbows together. Use duct tape to seal all joints in the ductwork system. Use caulking to seal exterior wall or floor opening around the cap.

Flexible ductwork is not recommended. Flexible ductwork creates back pressure and air turbulence that greatly reduces performance.

Make sure there is proper clearance within the wall or floor for exhaust duct before making cutouts. Do not cut a joist or stud unless absolutely necessary. If a joist or stud must be cut, then a supporting frame must be constructed.

WARNING - To Reduce The Risk Of Fire, Use Only Metal Ductwork.

CAUTION - To reduce risk of fire and to properly exhaust air, be sure to duct air outside – Do not vent exhaust air into spaces within walls or ceilings or into attics, crawl spaces, or garages.

Cold Weather installations

An additional back draft damper should be installed to minimize backward cold air flow and a nonmetallic thermal break should be installed to minimize conduction of outside temperatures as part of the vent system. The damper should be on the cold air side of the thermal break. The break should be as close as possible to where the vent system enters the heated portion of the house.



WARNING

- Venting system **MUST** terminate outside the home.
- **DO NOT** terminate the ductwork in an attic or other enclosed space.
- **DO NOT** use 4" laundry-type wall caps.
- Flexible-type ductwork is not recommended.
- **DO NOT** obstruct the flow of combustion and ventilation air.
- Failure to follow venting requirements may result in a fire.

ELECTRICAL REQUIREMENTS

A 120 volt, 60 Hz AC-only electrical supply is required on a separate 15 amp fused circuit. A time-delay fuse or circuit breaker is recommended. The fuse must be sized per local codes in accordance with the electrical rating of this unit as specified on the serial/rating plate located inside the unit near the field wiring compartment.



WARNING

- Electrical ground is required on this Range Hood.
- If cold water pipe is interrupted by plastic, nonmetallic gaskets or other materials, DO NOT use for grounding.
- DO NOT ground to a gas pipe.
- DO NOT have a fuse in the neutral or grounding circuit. A fuse in the neutral or grounding circuit could result in electrical shock.
- Check with a qualified electrician if you are in doubt as to whether the Range Hood is properly grounded.
- Failure to follow electrical requirements may result in a fire.

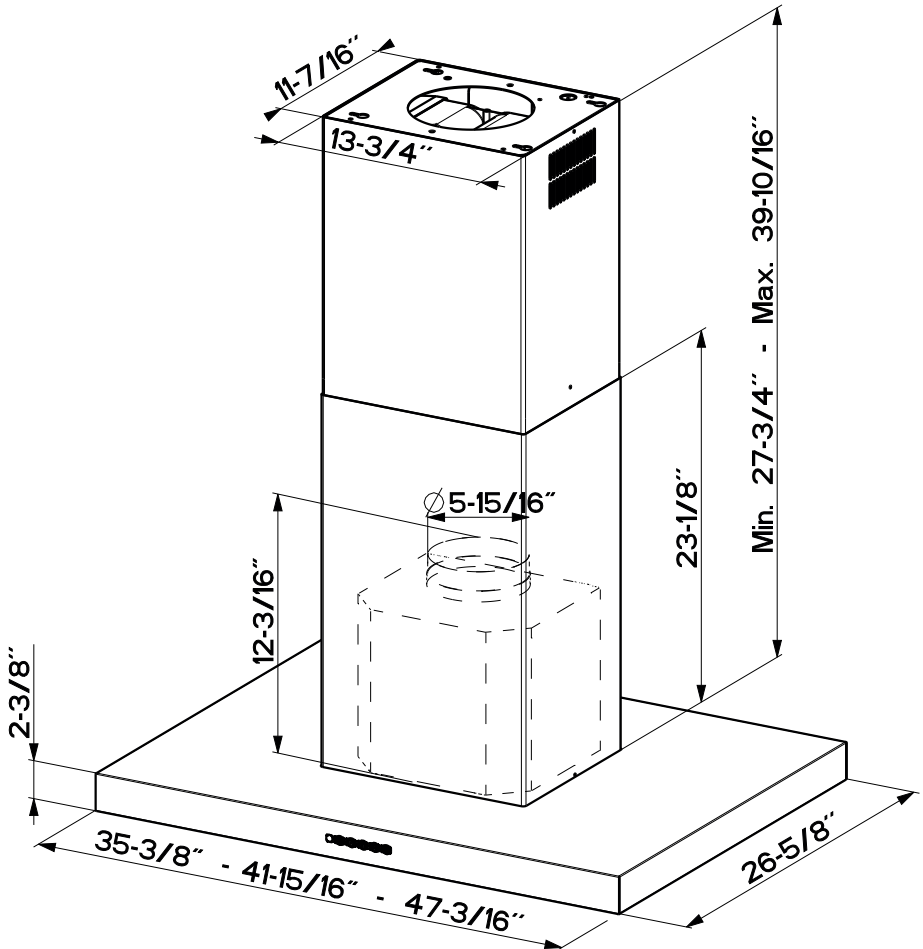
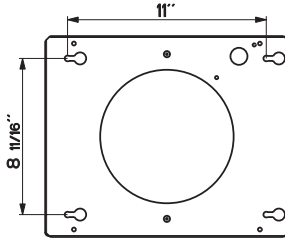
State of California Proposition 65 Warning (US only)

WARNING

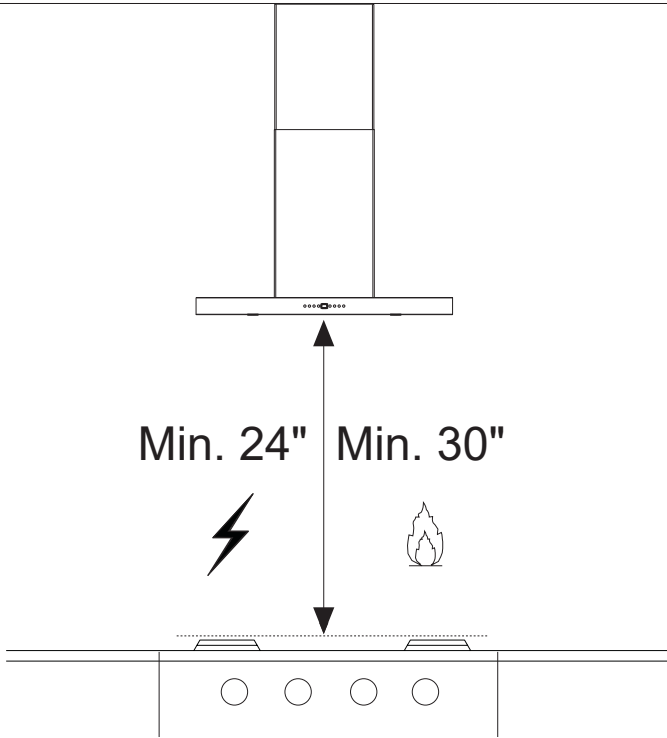
This product contains chemicals known to the State of California to cause cancer and birth defects or other reproductive harm.

For more information go to www.P65Warnings.ca.gov

RANGE HOOD DIMENSIONS



INSTALLATION HEIGHT REQUIREMENTS













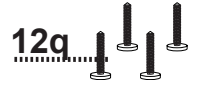
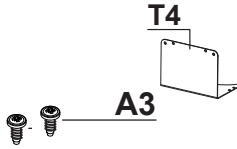
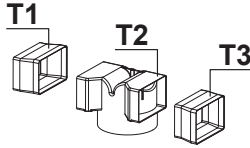
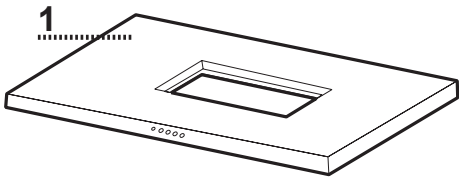
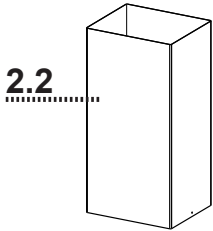
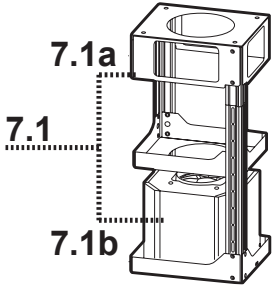
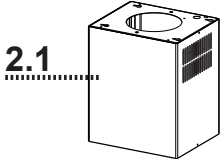
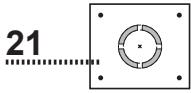
MIN. 24" OVER ELECTRIC
MIN. 30" OVER GAS

PARTS

PARTS INCLUDED



| REF. | PART | QTY |
|--------------|--|-----|
| 1 | Hood body | 1 |
| 2 | Telescopic Chimney comprising: | 1 |
| 2.1 | Upper Section | 1 |
| 2.2 | Lower Section | 1 |
| 7.1 | Telescopic frame complete with extractor, consisting of: | 1 |
| 7.1a | Upper frame | 1 |
| 7.1b | Lower frame | 1 |
| 10 | Flaps | 2 |
| 25 | Remote control | 1 |
| T1-T3 | Air Outlet Connector Extension | 2 |
| T2 | Air Outlet Connector | 1 |
| T4 | Air Outlet Connector fixing bracket | 1 |

| REF | PART | | | |
|------------|---------------------------|---|---|---|
| 12q | Torx Screws 1/4" x 3 1/8" |  |  | 4 |
| 12f | Torx Screws 1/4" x 9/16" |  |  | 4 |
| 21 | Drilling template | | | 1 |
| 22 | 1/4" int. dia washers |  | | 4 |
| 23 | 1/4" Nuts |  | | 4 |
| A2 | Pozi Screws 1/8" x 1/4" |  |  | 2 |
| A3 | Pozi Screws 1/8" x 3/8" |  |  | 2 |



PARTS (cont.)








PARTS NEEDED

| PART | |
|--|--|
| 6" Round Metal Ductwork |  |
| Drywall plugs or other suitable wall fasteners based on your installation. |  |

ACCESSORIES AVAILABLE

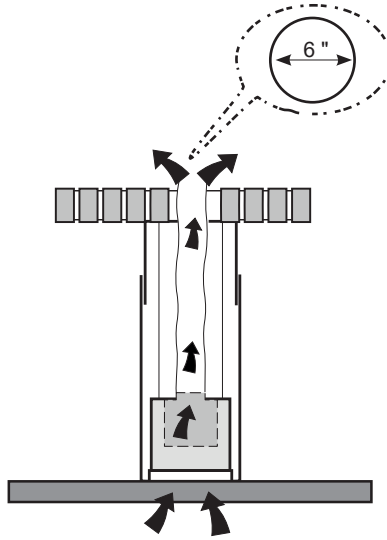
| ACCESSORY | SKU# |
|---------------------------------------|----------|
| Replacement Activated Charcoal Filter | # 901497 |
| Baffle filter Kit | # 901581 |
| Duct cover kit installation up to 10' | # 901585 |

TOOLS NEEDED

| TOOL | |
|-------------------------------------|--|
| Tape Measure |  |
| Pencil |  |
| Electric Drill with 5/16" Drill Bit |  |
| Phillips Screwdriver |  |
| Torx Screwdriver |  |
| Metal sheers |  |
| Work gloves |  |

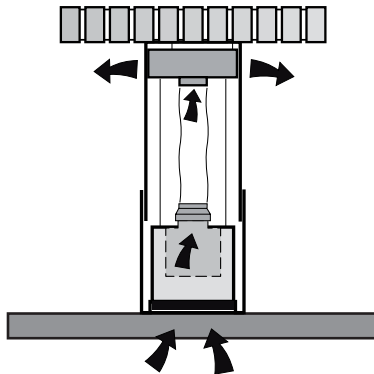
VENTING METHOD

1 Ducted Venting Installation



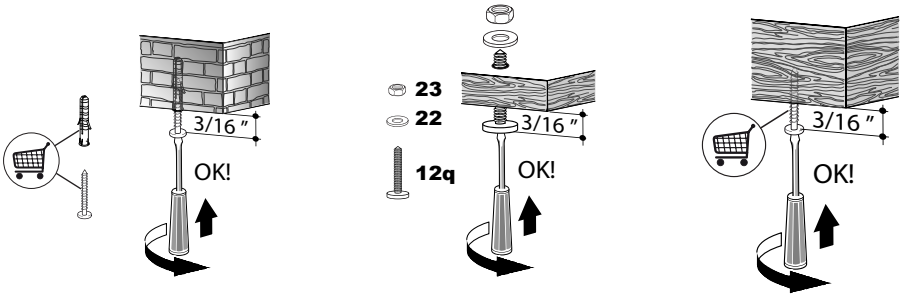
Non ducted - recirculation

Requires purchase of
Activated Charcoal
Accessory kit.



COMPONENTS FOR INSTALLATION TO THE CEILING

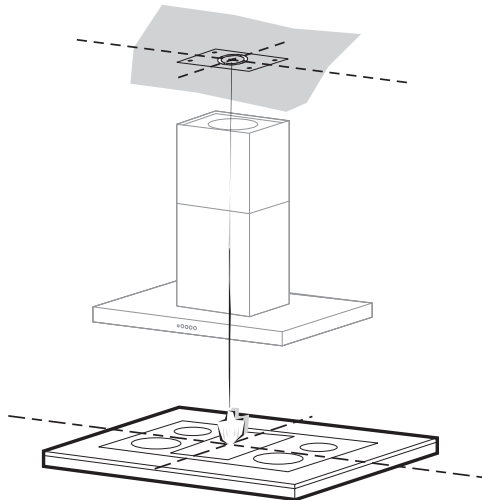
These fasteners may need to be purchased separately depending on your installation.



INSTALLING

1

Do not make any cutouts until you have decided whether this installation will be ducted or non-duct and then plan accordingly.



2

Put a thick, protective covering over cooktop, set-in range or countertop to protect from damage or dirt.

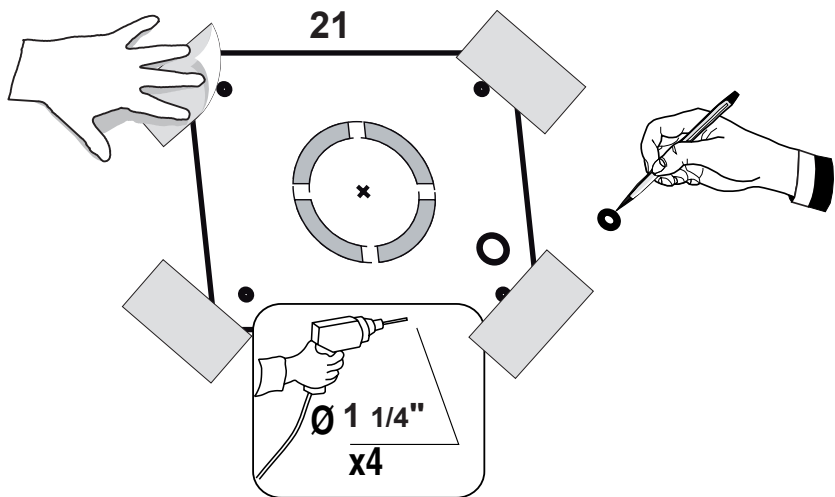
Determine and clearly mark with a pencil on the ceiling where the rangehood will be installed.

A template **21** for mounting the support is supplied in the carton with the support. Use this template to mark holes for support on the ceiling.

Determine and make necessary cuts for the ductwork. The duct opening is shown on the mounting template. Install ductwork before mounting the hood.

Determine the proper location for the Power Supply Cable as indicated on the template. Use a 1 1/4" Drill Bit to make this hole. Run the Power Supply Cable. Use caulking to seal around the hole.

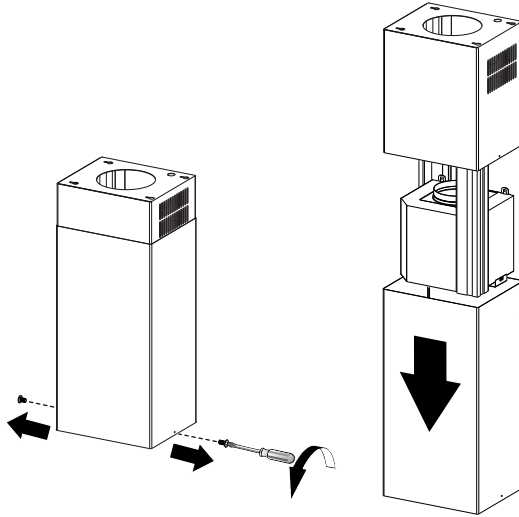
A knockout for threading through the Power Supply from the ceiling is located on the top of the frame. Do not connect the Power Cable to the Wiring Box or power up the hood at this time. Run enough power cable from the ceiling to reach the wiring box on the hood.



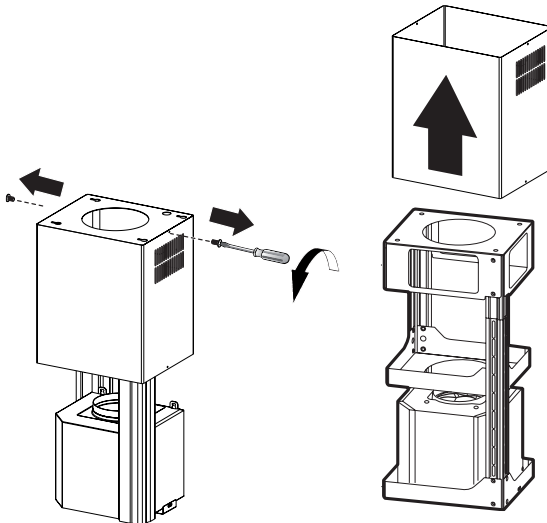
3

Chimney Flues Must Be Removed Before Installing the Hood

Loosen the two screws fastening the lower chimney and remove this from the lower frame.



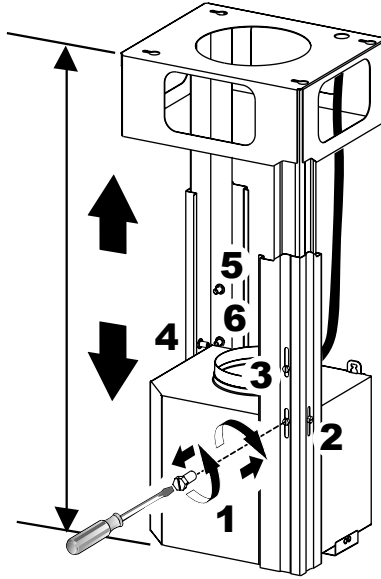
Loosen the two screws fastening the upper chimney and remove this from the upper frame.



4

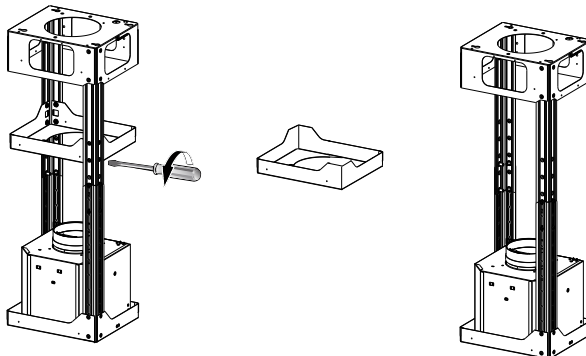
If you need to adjust the height of the frame, proceed as follows:

- Unfasten the metric screws joining the two columns, located at the sides of the frame (1,2,3,4,5,6).
- Adjust the frame to the height required, then refit all the screws removed as above.



REMOVING THE MIDDLE TRESTLE COMPONENT

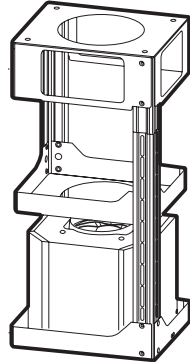
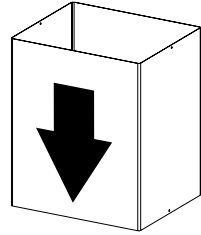
NOTE: The chimney structure can reduce down to a 27 " minimum height. To reduce the height, the middle section of the support structure needs to be removed. Out of the box, the minimum chimney length is 32 ". Insure the the installation process outlined in the U&C is followed and there is sufficient stability with the middle section removed.



5

Upper Flue Must Be In Place Before Proceeding

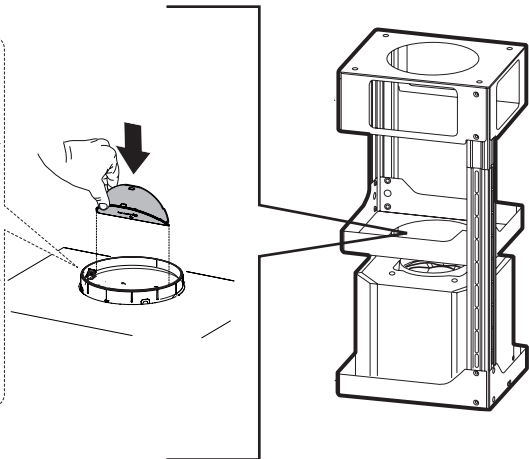
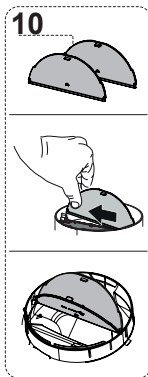
After the regulation for height adjustment, insert the upper chimney stack from above, and leave it running free on the frame.



6

Only for Ducted Venting Installation

Install the Flaps included **10** with the Hood before connecting to the ductwork.



7

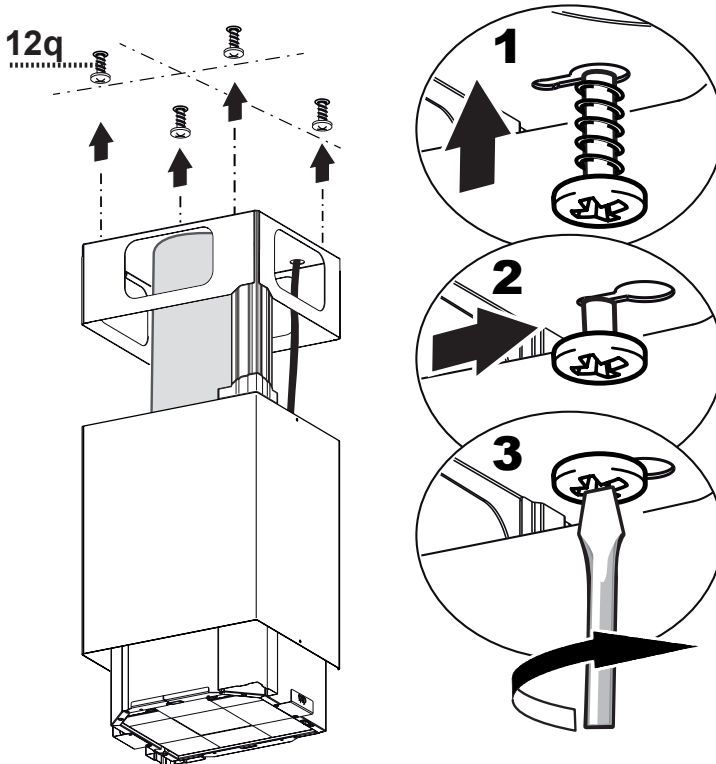
Now take either your wood screws or bolts depending on your set-up and screw all four into the pilot holes and leave 1/4" of the heads exposed.

Next install a UL or CSA listed strain relief in the wiring box so that the screws can be tightened after the chimney support is attached to the ceiling.

Now lift the chimney support into it's final position and feed the electrical supply through the strain relief.

Next position the chimney support so that the large end of the keyhole slots are over the ceiling attachment screws or bolts. Then push the chimney support so that the bolts are in the neck of the slots. Tighten all four screws or bolts securely.

- The frame mountings must be secure to withstand the weight of the hood and any stresses caused by the occasional side thrust applied to the device. On completion, check that the base is stable, even if the frame is subjected to bending.
- In all cases where the ceiling is not strong enough at the suspension point, the installer must provide strengthening using suitable plates and backing pieces anchored to the structurally sound parts.



8

Installation of wiring connection

Remove the cover from the field wiring compartment.

DO NOT turn on the power until installation is complete!

Connect the Power Supply Cable to the rangehood.

Connect the Green (Green and Yellow) ground wire under the Green grounding screw. Attach the White lead of the power supply to the White lead of the rangehood with a twist-on type wire connector.

Attach the Black lead of the power supply to the Black lead of the rangehood with a twist-on type wire connector.

Replace the field wiring compartment cover and the grease filters.

A. Home power supply cable

B. Black wires

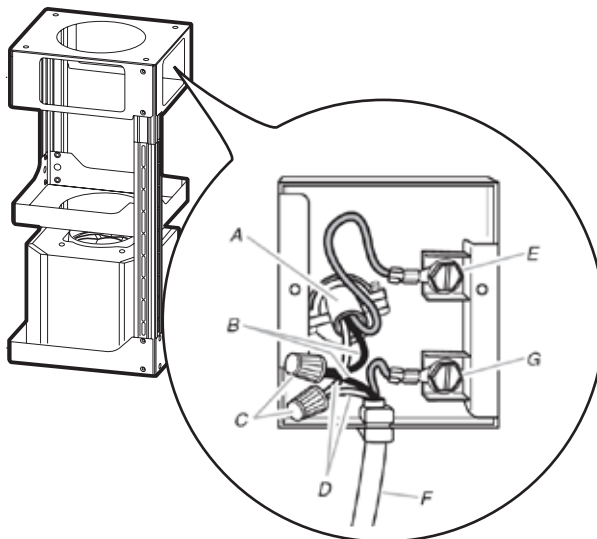
C. UL listed wire connectors

D. White wires

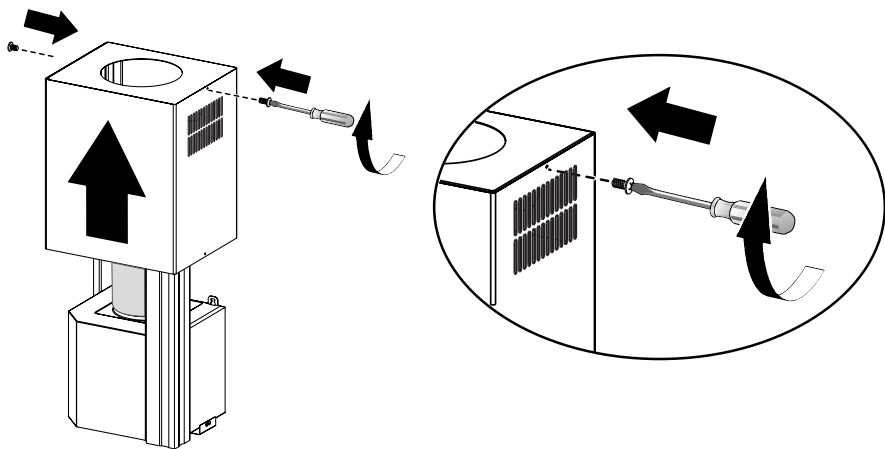
E. Green (or bare) ground wire from home power supply connected to green ground screw

F. Range hood power supply cable

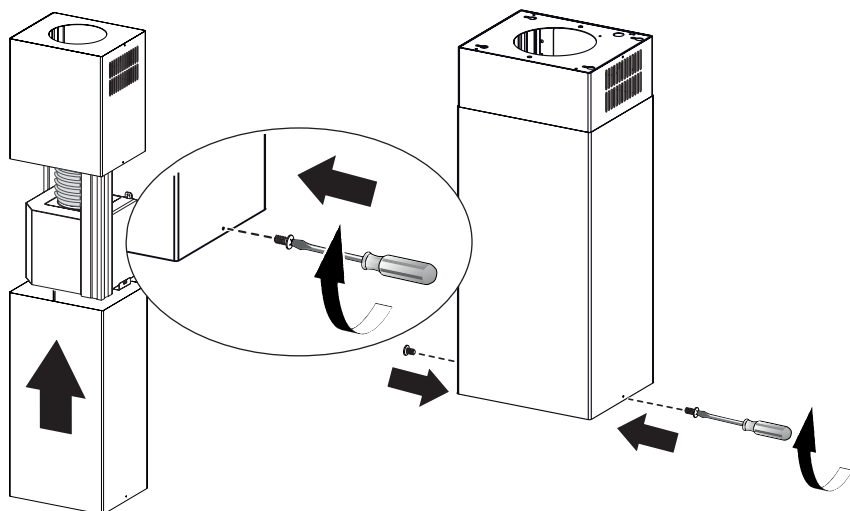
G. Range hood power supply cable connected to green ground screw



- 9** Position the upper chimney section and fix the upper part to the frame using the 2 screws removed previously.



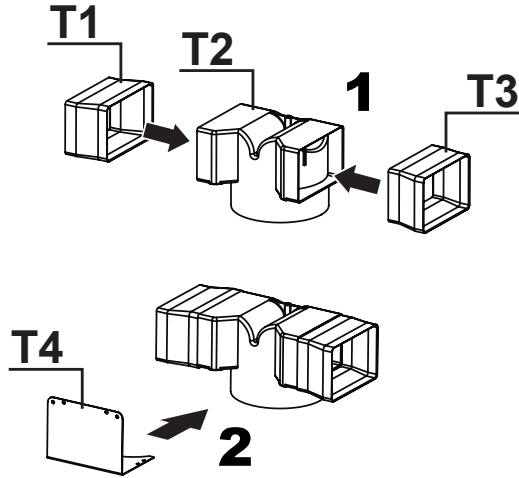
- 10** Similarly, position the lower chimney section and fix the lower part to the frame using the 2 screws removed previously.



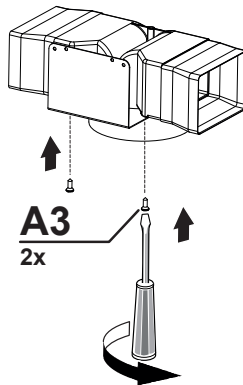
11

Only for non ducted recirculating installations

Insert the Connector extensions **T1** and **T3** into the side of the Connector **T2**.
Insert the Connector **T2** into the Support bracket **T4** and fix it with the screws.

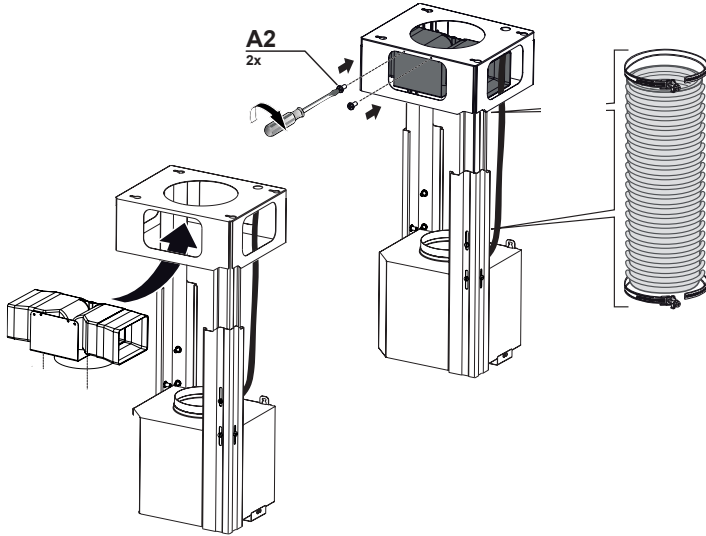


Fasten the Support bracket **T4** fixing it to the upper part with the Screws.

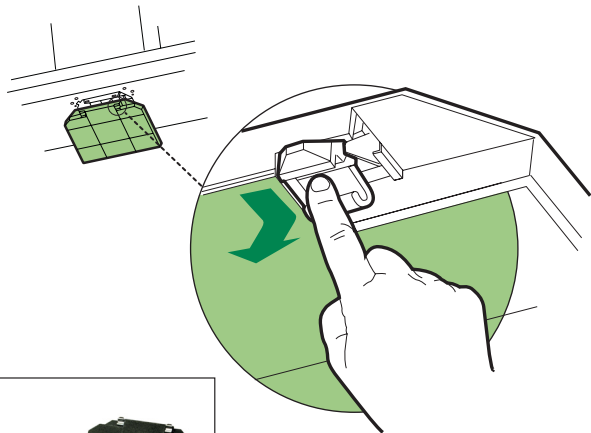


Make sure that the Connector extensions outlet **T1** and **T3** is in correspondence with the Chimney openings both horizontally and vertically.

Attach a charcoal filter in the correct position and block it by the fixing hooks as



shown. Unlock the fixing hooks (towards the back of the hood) to remove.



Required Activated Charcoal
Filter Accessory - sku # 901497
(purchased separately)

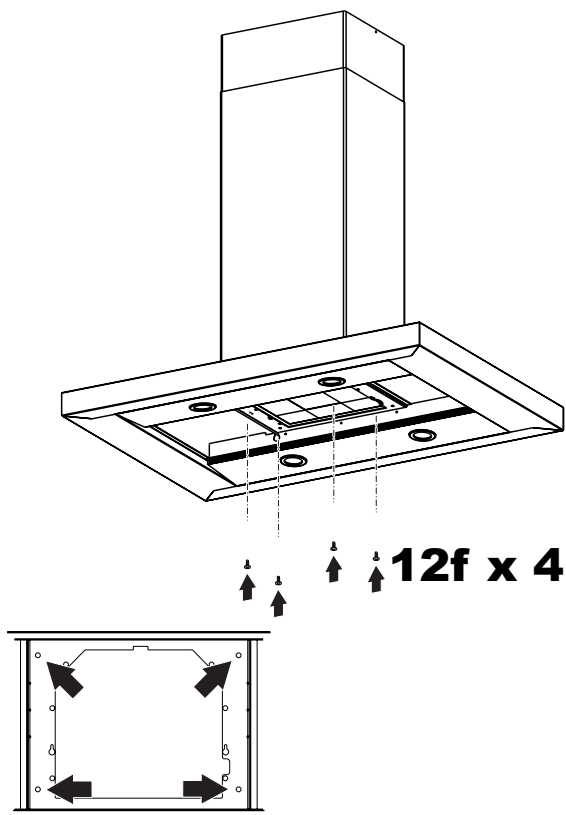


12

Attachment of Hood Canopy

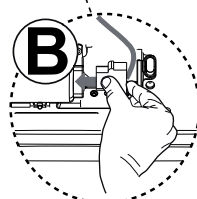
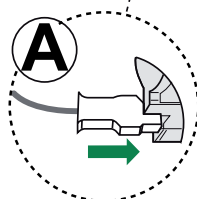
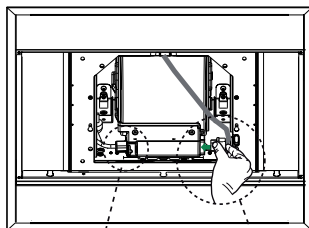
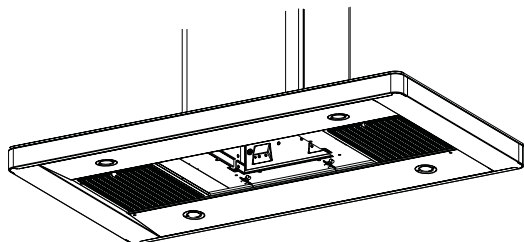
Remove the grease filters from the hood canopy.
Remove any activated charcoal filters.

Working from below, fix the hood canopy to the frame where indicated, using the 4 screws **12f**, then tighten all the screws securely.



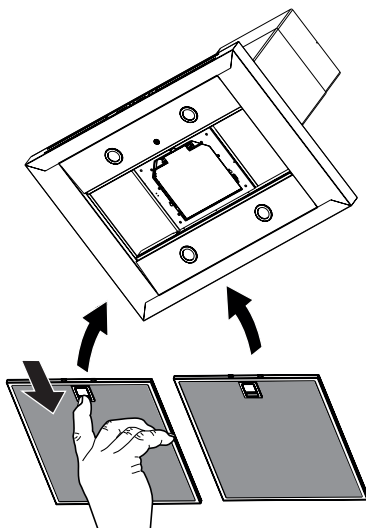
13

Connect the connector "B".
Check the connection of connector "A".



14

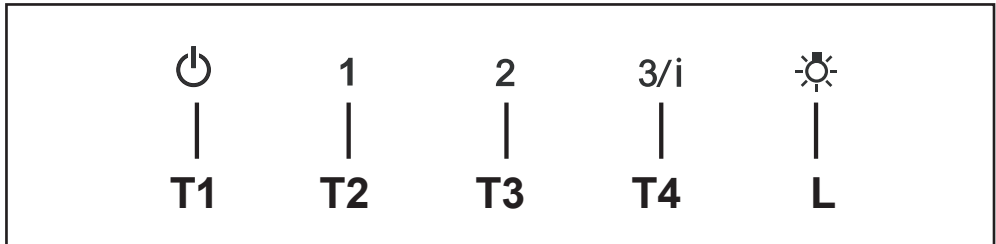
Reinstall the grease filters from the hood canopy.





OPERATING THE CONTROLS

FOR BEST RESULTS

Start the Range Hood several minutes before cooking to develop proper airflow. Allow the Range Hood to operate for several minutes after cooking is complete to clear all smoke and odors from the kitchen.



| Button | Function |
|---|--|
|  | Fan off button: turn the blower Off. The fan can be operated by pressing any of the fan setting buttons. Hold down this button for 2 seconds to activate Delay off function which will keep the fan on for 15 minutes and automatically shut off. |
| 1 | Fan settings buttons: Low speed. |
| 2 | Fan settings buttons: Medium speed. |
| 3/i | Fan settings buttons: High speed / Intensive speed. Hold down the button for 2 seconds to activate the intensive speed, which is timed to run for 6 minutes. At the end of this time it will automatically return to the speed set before. Suitable to deal with maximum levels of cooking fumes. |
|  | Light button: On/Off switch for the lights. |

NOTE: If your product has had a CFM adjustment, refer to the CFM adjustment manual for the information. Some motor speeds or functions may be reduced.

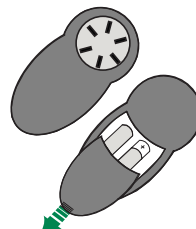
Remote control information

The appliance can be controlled using a remote control powered by a 1.5 V carbon-zinc alkaline batteries of the standard LR03-AAA type (not included).

- Used batteries must be disposed of in the proper manner.







Caution:

- Do not place the remote control near heat sources.
- Do not discard the batteries with normal waste, they must be put into the specific containers.
- Make sure the battery compartment is screwed down flat and is fully tightened.



Remote Control control panel



| | | |
|--|-----------|---|
|  | Motor | Motor On/Off. |
|  | - | Decreases the working speed each time it is pressed. |
|  | - | Increases the working speed each time it is pressed. |
|  | Intensive | Activates/Deactivates Intensive operation. |
|  | Delay | Brief pressure: Activates/Deactivates the Delay function: automatic switch-off with a 30' delay. The display shows the operating speed and the dot at the bottom right flashes once a second. |
|  | Light | Lights On / Off. |

CLEANING STAINLESS STEEL

Cleaning Exterior surfaces:

Please note, abrasives and scouring agents can scratch range hood finishes and should not be used to clean finished surfaces.

Stainless Steel finish cleaning instructions:

Clean exterior surfaces with a commercially available stainless steel cleaner.

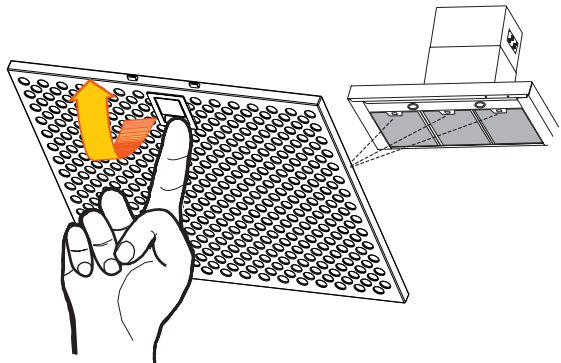
Use a soft microfiber cloth and to wipe going with the grain of the stainless steel.

CARING FOR FILTERS

CLEANING METAL GREASE FILTERS

The filters must be cleaned every 2 months of operation, or more frequently for particularly heavy usage, and can be washed in a dishwasher.

- Remove the Filters one at a time, pushing them towards the back of the unit and at the same time pulling downward.
- Wash the Filters without bending them, and leave them to dry completely before replacing. (If the surface of the filter changes colour as time goes by, this will have absolutely no effect on the efficiency of the filter itself.)
- Replace, taking care to ensure that the handle faces forwards.
- No water can be present in filters before installing back in hood.

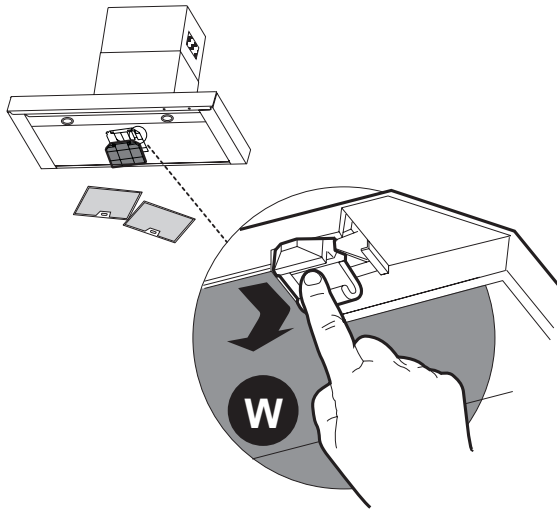


REPLACING ACTIVATED CHARCOAL FILTER

The filter is not washable and cannot be regenerated, and must be replaced approximately every 4 months of operation, or more frequently for particularly heavy usage.

- Remove the Filters one at a time, pushing them towards the back of the unit and at the same time pulling downward.
- Remove the saturated charcoal filter by releasing the hooks.
- Fit the new filter and fasten it in its correct position.
- Replace, taking care to ensure that the handle faces forwards.
- "When used in recirculation mode, to Reduce the Risk of Fire and Shock use only conversion kit Model # 901497.

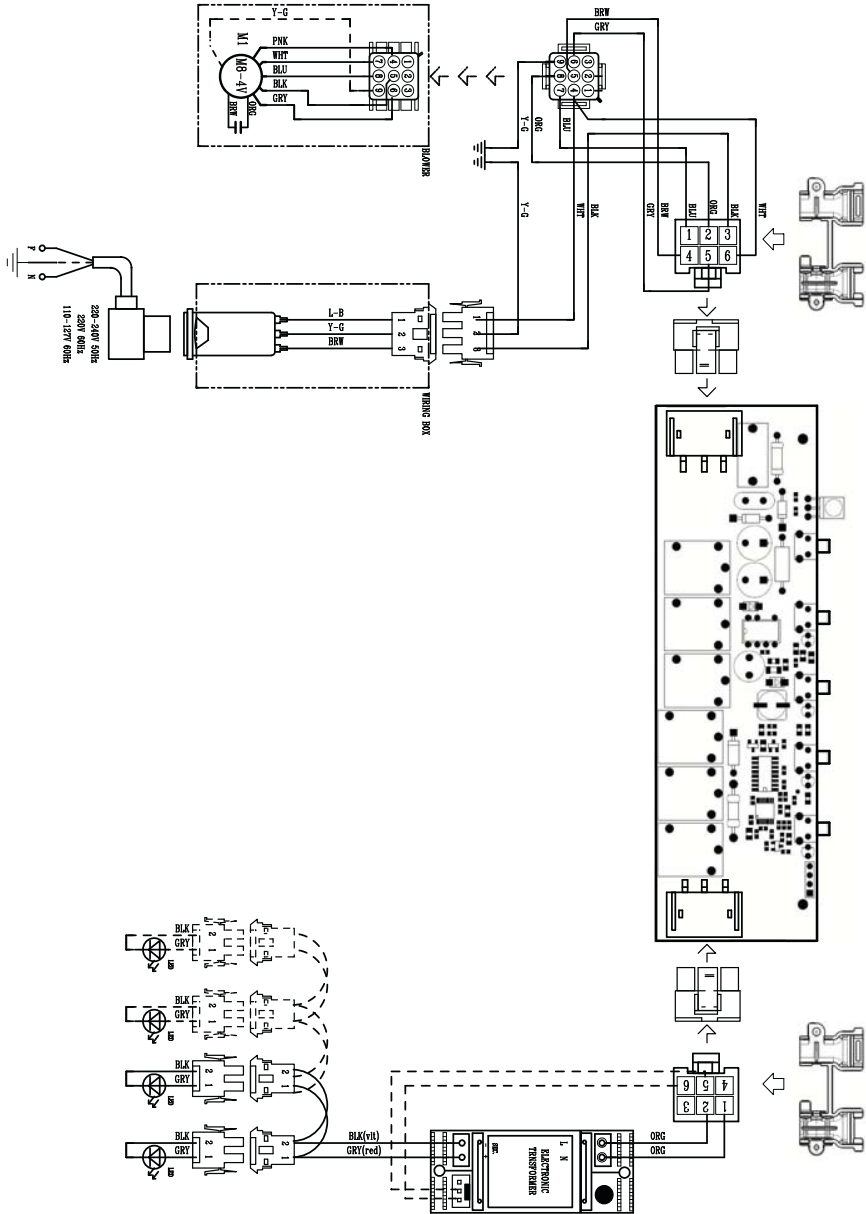
Please contact the retailer that sold you the product to purchase carbon filters above.



REPLACING BULBS

LED lights must be replaced by authorized service.

WIRING DIAGRAM



WARRANTY

Please kindly register on our web site www.bertazzoni.com to validate your new product warranty and help us to assist you better in case of any inconvenience.

TWO YEAR LIMITED WARRANTY

The warranties provided by Bertazzoni SpA in this statement apply exclusively to Bertazzoni appliances and accessories sold as new products to the original owner by a Bertazzoni authorized distributor, retailer, dealer or service center and installed in the United States and Canada. The warranties provided in this statement are not transferable and have validity from the date of installation.

COVERAGE INFORMATION

Bertazzoni SpA will repair or replace any component part which fails or proves defective due to materials and/or workmanship within 2 years from the date of installation and under conditions of normal residential use. Repair or replacement will be free of charge, including labor at standard rates and shipping expenses. Repair service must be performed by a Bertazzoni Authorized Service Center during normal working hours.

COSMETIC WARRANTY

Bertazzoni will cover parts showing cosmetic defects in material and workmanship for a period of thirty (30) days from date of installation of the unit. This coverage will include scratches, stains, surface imperfections on stainless steel, paint and porcelain, with the exclusion of slight differences in color due to materials and painting/enamelling technologies.

Exclusions are labor costs, B stock items, out - of - box appliances and display units.

HOW TO OBTAIN SERVICE

To obtain service please contact Bertazzoni Customer Service at the numbers below and make sure to have model number, serial number, and date of purchase ready. This information will be requested by our team and is crucial to speeding up resolution.

UNITED STATES <https://us.bertazzoni.com/more/support>

Phone: 866-905-0010

CANADA <https://ca.bertazzoni.com/more/support>

Phone : 800-361-0799

Save proof of original purchase or of original installation to establish warranty period. Copy of the product serial tag is affixed to the back cover of the instruction manual.

WHAT IS NOT COVERED

- 1.The product used in any commercial/business application
- 2.Repair service provided by other than a Bertazzoni authorized service agent.
- 3.Damage or repair service to correct service provided by an unauthorized agency or the use of unauthorized parts.
- 4.Installation not in accordance with local electrical codes or plumbing codes.
- 5.Defects or damage due to improper storage of the product.
- 6.Defects or damage or missing parts on products sold out of the original factory packaging or from displays.
7. Service calls or repairs to correct the installation of the product and/or related accessories.
8. Service calls to connect, convert or otherwise repair the electrical wiring / gas line / water line to properly use the product.
9. Service calls to provide instructions on the use of a Bertazzoni product.
10. Repair service due to product usage in manner other than what is normal and customary for home use.
11. Replacement of wear and tear parts
- 12.Replacement of glasses and light bulbs if they are claimed to have failed later than 30 days after installation and in no case later than 4 months after date of purchase
13. Defects and damages arising from accident, alteration, misuse, abuse, improper installation.
14. Defects and damages arising from transportation of the product to the home of the owner.
- 15.Defects and damage arising from external forces beyond the control of Bertazzoni SpA such as fire, flood, earthquakes and other acts of God.

In case the product will be installed in a remote area, where certified trained technicians are not reasonably available, the customer will be responsible for the transportation costs for the delivery of the product to the nearest authorized service center or for the displacement costs of a certified trained technician.

Bertazzoni does not assume any responsibility for incidental or consequential damages.

Some states do not allow the exclusion or limitation of incidental or consequential damages, so the above limitation or exclusion may not apply to you. This warranty gives you specific legal rights and you may also have other rights which may vary from state to state or province to province.

TABLE DES MATIÈRES

| Section | Page |
|---|-------------|
| CONSIGNES DE SÉCURITÉ IMPORTANTES | 31 |
| DIMENSIONS DE LA HOTTE | 34 |
| EXIGENCE D'INSTALLATION EN HAUTEUR | 35 |
| PIÈCES | 36 |
| OUTILS NÉCESSAIRES | 38 |
| MÉTHODE D'AÉRATION | 39 |
| COMPOSANTS POUR L'INSTALLATION AU PLAFOND | 40 |
| INSTALLATION | 40 |
| FONCTIONNEMENT DES COMMANDES | 52 |
| NETTOYAGE DE L'ACIER INOXYDABLE | 54 |
| ENTRETIEN DES FILTRES | 54 |
| REPLACEMENT FILTRE À CHARBONS ACTIFS | 55 |
| REPLACEMENT DES AMPOULES | 55 |
| SCHÉMA DE CÂBLAGE | 56 |
| GARANTIE | 57 |

CONSIGNES DE SÉCURITÉ IMPORTANTES

LISEZ ET SAUVEGARDEZ CES INSTRUCTIONS AVANT DE COMMENCER L'INSTALLATION DE CETTE Hotte de cuisine

AVERTISSEMENT : - AFIN DE RÉDUIRE LE RISQUE D'UN INCENDIE DE GRAISSE SUR LA CUISINIÈRE :

- a) Ne laissez jamais les appareils de surface sans surveillance si les paramètres de réglage sont élevés. Les débordements causent des fumées et des projections de graisse susceptibles de prendre feu. Chauffez l'huile lentement à des valeurs basses à moyennes.
- b) Allumez toujours la hotte Always si vous cuisinez à un forte chaleur ou pour flamber les aliments (par ex. Crepes Suzette, Cherries Jubilee, Peppercorn Beef Flambé).
- c) Nettoyez fréquemment les ventilateurs de ventilation. Évitez que la graisse ne s'accumule pas au niveau du ventilateur ou du filtre.
- d) Utilisez une casserole de la taille appropriée. Utilisez toujours des ustensiles de cuisson qui conviennent à la taille de l'élément de surface.

AVERTISSEMENT : - POUR RÉDUIRE LES RISQUES DE BLESSURES EN CAS DE FEU DE GRAISSE SUR LA CUISINIÈRE, RESPECTEZ LES CONSIGNES SUIVANTES* :

- a) **ÉTOUFFEZ LES FLAMMES** avec un couvercle hermétique, une plaque à biscuits ou un plateau métallique, avant d'éteindre le brûleur. **FAITES ATTENTION AUX POSSIBLES BRULURES.** Si les flammes ne s'éteignent pas immédiatement, **ÉVACUEZ LE LIEU ET APPELEZ LES POMPIERS.**
- b) **NE RAMASSEZ JAMAIS UNE CASSEROLE EN FEU** pour ne pas risquer de vous brûler.
- c) **N'UTILISEZ PAS D'EAU**, ni de torchons ou de serviettes mouillés pour éviter une violente explosion de vapeur.
- d) Utilisez un extincteur **UNIQUEMENT** si :
 1. Vous savez que vous avez un extincteur de classe ABC et vous savez déjà vous en servir.
 2. Le feu est petit et circonscrit dans la zone où il a commencé.
 3. Veuillez appeler les pompiers.
 4. Vous pouvez combattre le feu en tournant le dos vers une sortie.

* Basé sur "Kitchen Firesafety Tips" publié par NFPA

AVERTISSEMENT - POUR RÉDUIRE LE RISQUE D'INCENDIE OU DE CHOC ÉLECTRIQUE, n'utilisez jamais ce ventilateur avec un dispositif de contrôle de vitesse à semi-conducteurs.

AVERTISSEMENT : POUR RÉDUIRE LES RISQUES D'INCENDIE, DE CHOC ÉLECTRIQUE OU DE BLESSURE, RESPECTEZ LES CONSIGNES SUIVANTES :

1. N'utilisez cet appareil que selon les consignes et les instructions du fabricant. Si vous avez des questions, veuillez contacter le fabricant.
2. Avant d'entretenir ou de nettoyer l'électroménager, coupez l'alimentation électrique au niveau du panneau de service et verrouillez le dispositif de déconnexion de service afin d'éviter toute remise sous tension accidentelle. Si le dispositif de déconnexion ne peut pas être verrouillé, fixez solidement un dispositif d'avertissement bien visible, tel qu'une étiquette, au panneau de service.

ATTENTION : Destinée à l'usage de ventilation uniquement. Ne l'utilisez jamais pour évacuer des matières et des vapeurs dangereuses ou explosives.

AVERTISSEMENT : POUR RÉDUIRE LES RISQUES D'INCENDIE, DE CHOC ÉLECTRIQUE OU DE BLESSURE, RESPECTEZ LES CONSIGNES SUIVANTES :

1. Confiez les travaux d'installation et le câblage électrique à une ou plusieurs personnes qualifiées, conformément à tous les codes et normes en vigueur, y compris les constructions anti-incendie.

2. Une quantité suffisante d'air est nécessaire pour assurer la bonne combustion et l'évacuation des gaz par le conduit de fumée (cheminée) de l'équipement à combustible, afin d'éviter tout refoulement. Suivez les directives du fabricant de l'équipement de chauffage et les normes de sécurité telles que celles publiées par la National Fire Protection Association (NFPA) et l'American Society for Heating, Refrigeration and Air Conditioning Engineers (ASHRAE), ainsi que les codes locaux.
3. Lorsque vous découpez ou percez un mur ou un plafond, veillez à ne pas endommager le câblage électrique et les autres raccords de réseaux cachés.
4. Les ventilateurs à conduit doivent toujours être évacués vers l'extérieur.

TOUTES LES OUVERTURES DANS LES MURS ET LES PLANCHERS où la hotte EST INSTALLÉE DOIVENT ÊTRE SCÉLLÉES.

Cette hotte nécessite un dégagement d'au moins 24 entre le bas de la hotte et la surface de cuisson ou le comptoir. Cette hotte a été approuvée par UL à cette distance de la table de cuisson. Ce dégagement minimum peut être plus élevé selon les codes du bâtiment locaux. Pour les tables de cuisson au gaz et les cuisinières combinées, un minimum de 30 pouces est recommandé et peut être exigé.

Les armoires suspendues des deux côtés de l'appareil doivent se trouver à au moins 18 pouces au-dessus de la surface de cuisson ou du comptoir. Consultez les instructions d'installation de la table de cuisson ou de la cuisinière remises par le fabricant avant de faire des découpes.

INSTALLATION DANS LES MOBILES HOME L'installation de cette hotte de cuisine doit être conforme aux normes de construction et de sécurité des mobile home, Title 24 CFR, Part 3280 (anciennement Federal Standard for Mobile Home Construction and Safety, Title 24, HUD, Part 280). Voir la section « Exigences électriques ».

EXIGENCES EN MATIÈRE DE VENTILATION

Déterminez la méthode de ventilation qui convient le mieux à votre application. Les conduits peuvent passer soit par le mur, soit par le toit.

La longueur des conduits et le nombre de coudes doivent être réduits au minimum pour assurer une performance efficace. La taille des conduits doit être uniforme. N'installez pas deux coudes ensemble. Utilisez du ruban adhésif à conduits (métallique) pour sceller tous les joints du système de conduits. Utilisez du calfeutrage pour sceller l'ouverture du mur extérieur ou du plancher tout autour du capuchon.

Les conduits flexibles ne sont pas recommandés. Les conduits flexibles créent une contre-pression et des turbulences d'air qui réduisent considérablement les performances optimales.

Assurez-vous qu'il y a un dégagement approprié dans le mur ou le plancher pour le conduit d'évacuation avant de faire des découpes. Ne coupez pas une solive ou un poteau à moins que cela ne soit absolument nécessaire. Si une solive ou un poteau doit être coupé, prévoyez un cadre de support.

AVERTISSEMENT - Pour réduire les risques d'incendie, utilisez uniquement des conduits métalliques.

ATTENTION - Pour réduire le risque d'incendie et pour faire évacuer correctement l'air, assurez-vous de la faire passer l'air à l'extérieur - Ne faites pas passer l'air évacué dans des espaces à l'intérieur des murs ou des plafonds ou dans des greniers, des vides sanitaires ou des garages.

Installations par temps froid

Un registre anti-refoulement supplémentaire de contre-tirage doit être installé pour minimiser le retour de l'air froid et une coupure thermique non métallique doit être installée pour minimiser la conduction des températures extérieures dans le système de ventilation. Le registre doit se trouver du côté de l'air froid de la rupture thermique. Cette dernière doit être aussi proche que possible de l'endroit où le système de ventilation entre dans la partie chauffée de la maison.



AVERTISSEMENT

- Le système d'évacuation DOIT se terminer à l'extérieur de la maison.
- **ÉVITEZ** de faire aboutir les conduits dans un grenier ou un autre espace clos.
- **N'UTILISEZ PAS** de clapets de séchoir à 4 po.
- Les conduits de type flexible ne sont pas recommandés.
- **N'OBSTRUEZ PAS** le flux d'air de combustion et de ventilation.
- Le non-respect des exigences en matière de ventilation peut entraîner un incendie.

EXIGENCES ÉLECTRIQUES

Une alimentation électrique de 120 volts, 60 Hz, uniquement en courant alternatif, est requise sur un circuit séparé à fusible de 15 ampères. Un fusible à retardement ou un disjoncteur est recommandé. La taille du fusible doit se conformer aux codes municipaux suivant la spécification électrique sur la plaque de série/d'identification située dans l'unité à côté du compartiment de câblage.



AVERTISSEMENT

- Une mise à la terre électrique est requise sur cette hotte.
- Si le tuyau d'eau froide est interrompu par du plastique, des joints non métalliques ou d'autres matériaux, NE PAS l'utiliser pour la mise à la terre.
- NE PAS mettre à la terre un tuyau de gaz.
- NE PAS prévoir de fusible dans le circuit neutre ou de mise à la terre. Un fusible dans le circuit neutre ou de mise à la terre pourrait provoquer un choc électrique.
- Demandez conseil auprès d'un électricien qualifié si vous avez des doutes quant à la mise à la terre de la hotte.
- Le non-respect des exigences électriques peut entraîner un incendie.

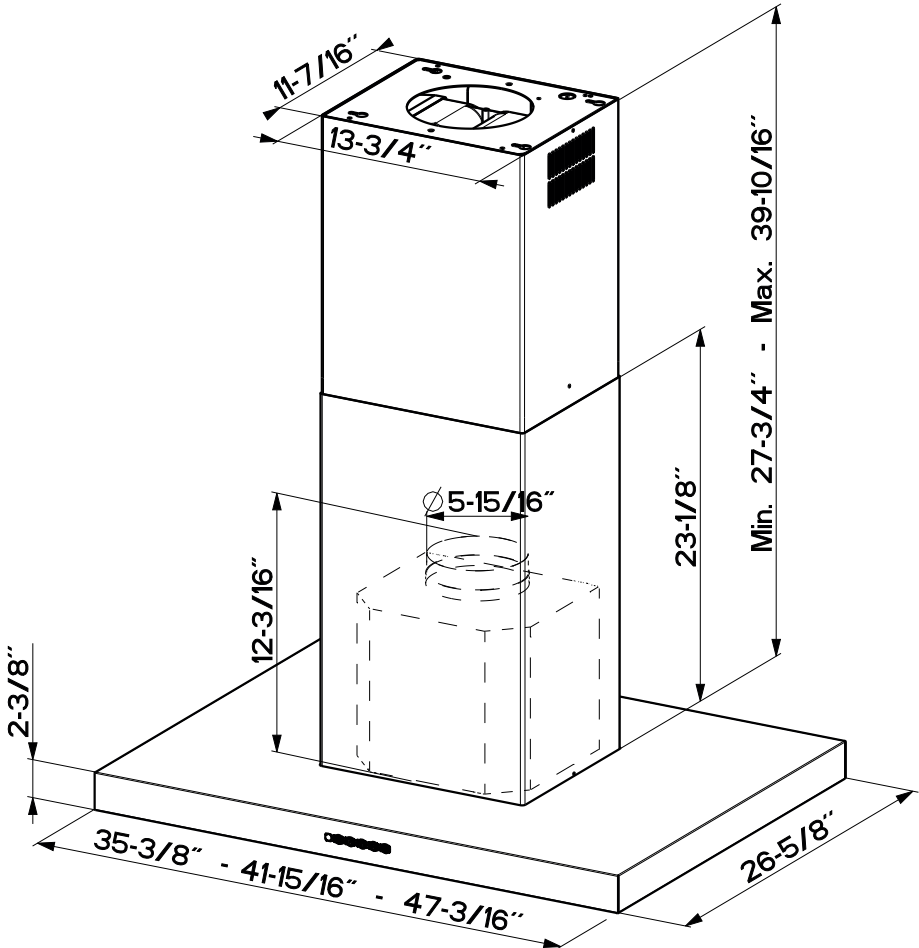
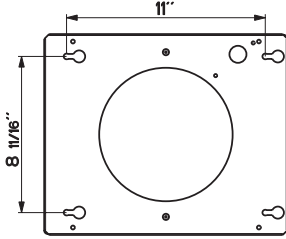
Avertissement de la Proposition 65 de l'État de Californie (États-Unis seulement)

AVERTISSEMENT

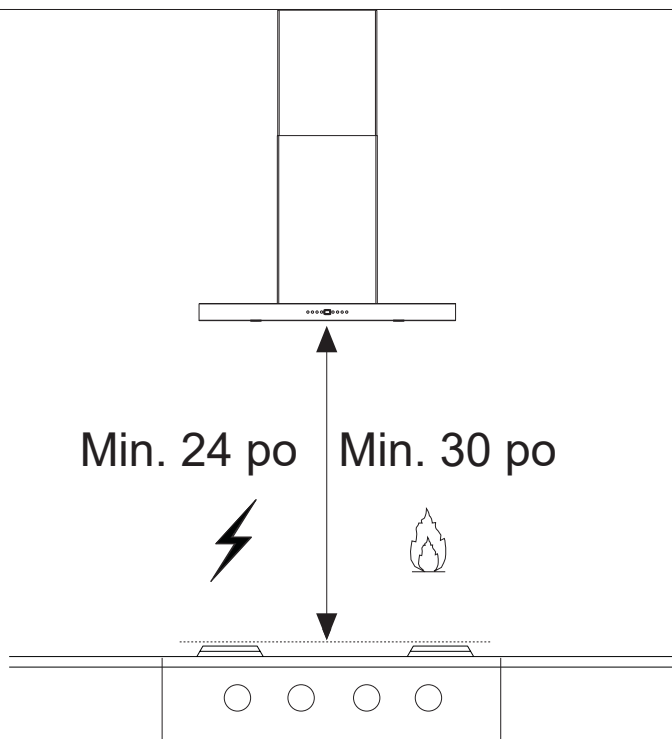
Ce produit contient des produits chimiques reconnus par l'État de Californie comme pouvant causer le cancer et des anomalies congénitales ou d'autres problèmes de reproduction.

Pour plus d'informations, consultez le site www.P65Warnings.ca.gov

DIMENSION DE LA HOTTE



EXIGENCE D'INSTALLATION EN HAUTEUR




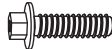








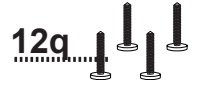
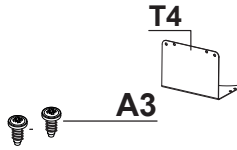
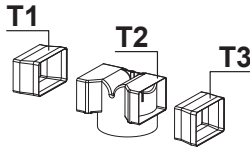
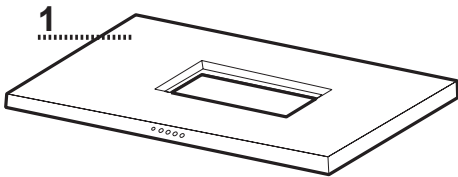
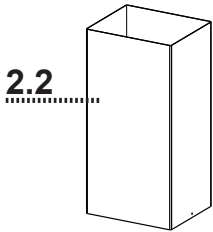
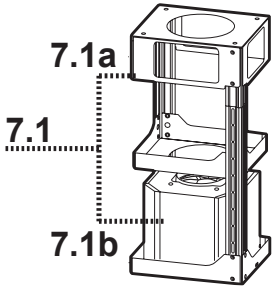
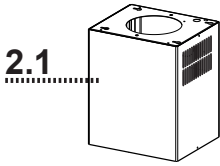
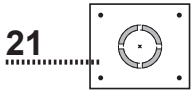
MIN. 24 PO SUR ÉLECTROMÉNAGER ÉLECTRIQUE
MIN. 30 PO SUR ÉLECTROMÉNAGER À GAZ

PIÈCES

PIÈCES INCLUSES



| RÉF. | PIÈCE | QTÉ |
|--------------|--|-----|
| 1 | Corps de la hotte | 1 |
| 2 | Cheminée télescopique qui comprend : | 1 |
| 2.1 | Section supérieure | 1 |
| 2.2 | Section inférieure | 1 |
| 7.1 | Châssis télescopique avec extracteur, composé de : | 1 |
| 7.1a | Châssis supérieur | 1 |
| 7.1b | Châssis inférieur | 1 |
| 10 | Volets | 2 |
| 25 | Télécommande | 1 |
| T1-T3 | Extension connecteur de sortie air | 2 |
| T2 | Connecteur de sortie d'air | 1 |
| T4 | Support de fixation du connecteur de sortie d'air | 1 |

| RÉF. | PIÈCE | | | |
|------------|---|---|---|---|
| 12q | Vis Torx 1/4 po x 3 1/8 po |  |  | 4 |
| 12f | Vis Torx 1/4 po x 9/16 po |  |  | 4 |
| 21 | Gabarit de perçage | | | 1 |
| 22 | Rondelles de 1/4 po de diamètre intérieur |  | | 4 |
| 23 | Écrous 1/4 po |  | | 4 |
| A2 | Vis à tête cylindrique 1/8 po x 1/4 po. |  |  | 2 |
| A3 | Vis Pozzi 1/8 po x 3/8 po. |  |  | 2 |



PIÈCES (suite)




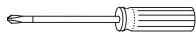
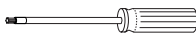


PIÈCES NÉCESSAIRES

| PIÈCE | |
|---|--|
| Conduit métallique rond de 6 po |  |
| Cheilles pour placoplâtres ou autres fixations murales appropriées en fonction de votre installation. |  |

ACCESSOIRES DISPONIBLES

| ACCESSOIRES | SKU# |
|---|----------|
| Remplacement filtre à charbons actifs | # 901497 |
| Kit de filtre à chicane | # 901581 |
| Installation du kit de couverture du conduit jusqu'à 10'. | # 901585 |

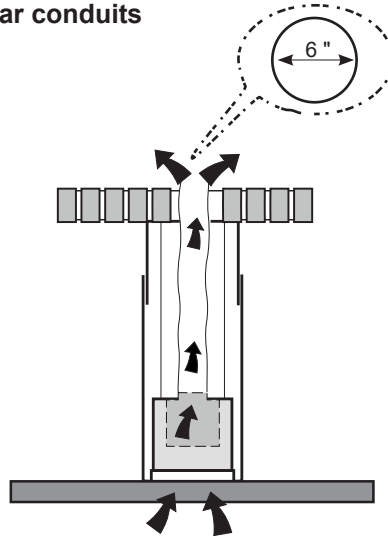
OUTILS NÉCESSAIRES

| OUTIL | |
|---|--|
| Mètre à ruban |  |
| Crayon |  |
| Perceuse électrique avec mèche de 5/16 po |  |
| Tournevis Phillips |  |
| Tournevis Torx |  |
| Ciseaux à métaux |  |
| Gants de travail |  |

MÉTHODE D'AÉRATION

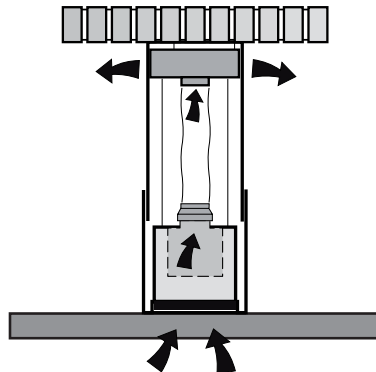
1

Installation de la ventilation par conduits



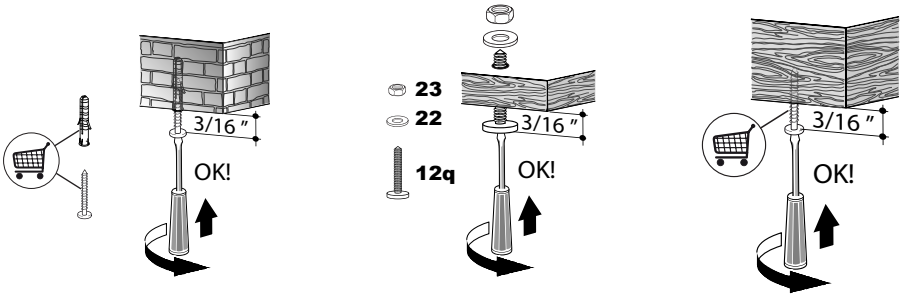
Sans conduit - recirculation

Nécessite l'achat du kit d'accessoires pour charbon actif.



COMPOSANTS POUR L'INSTALLATION AU PLAFOND

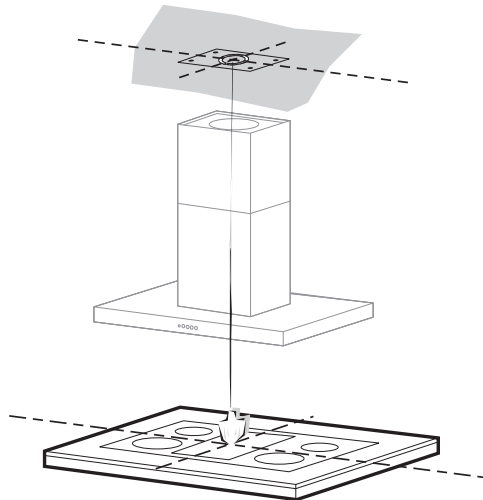
Ces éléments de fixation peuvent devoir être achetés séparément en fonction de votre installation.



INSTALLATION

1

Ne faites aucune découpe avant d'avoir décidé si l'installation se fera avec ou sans conduit et planifiez en conséquence.



2

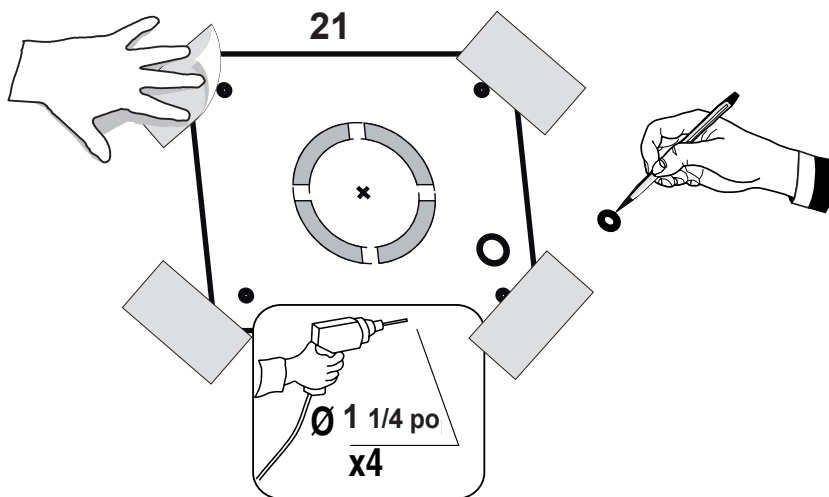
Recouvrez d'une bâche épaisse et couvrante la table de cuisson, la cuisinière encastrée ou le comptoir pour les protéger des dommages et de la saleté. Déterminez et marquez clairement au crayon sur le plafond l'endroit où la hotte sera installée.

Vous trouverez un gabarit **21** pour le montage du support dans le carton avec le support. Utilisez ce gabarit pour marquer les trous du support au plafond.

Repérez les positions et faites les découpes nécessaires pour le conduit. L'ouverture du conduit est indiquée sur le gabarit de montage. Installez les conduits avant de monter la hotte.

Déterminez l'emplacement approprié pour le câble d'alimentation, comme indiqué sur le gabarit. Utilisez un foret de 1 1/4 po pour faire ce trou. Faites passer le câble d'alimentation. Utilisez un produit de calfeutrage pour sceller le trou.

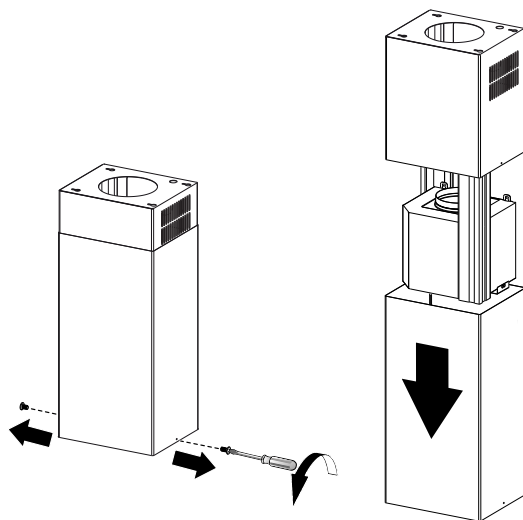
Une entrée cassable pour le passage du câble d'alimentation depuis le plafond se situe sur le dessus du châssis. Ne connectez pas le câble d'alimentation à la boîte de câblage et ne mettez pas la hotte sous tension pour le moment. Faites passer suffisamment de câble d'alimentation depuis le plafond pour atteindre la boîte de câblage sur la hotte.



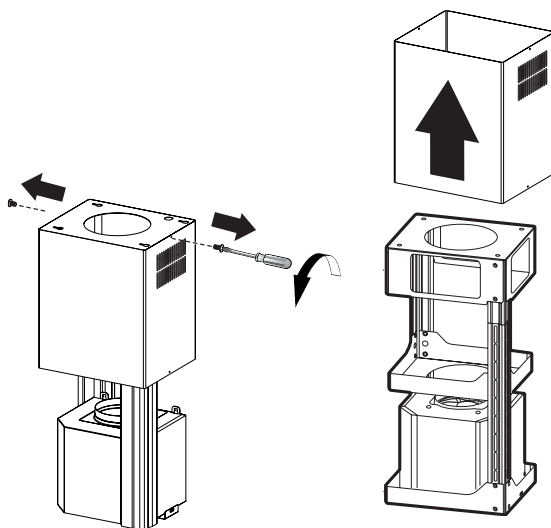
3

Les conduits de cheminée doivent être retirés avant l'installation de la hotte.

Desserrez les deux vis qui fixent la cheminée inférieure et retirez-la du châssis inférieur.



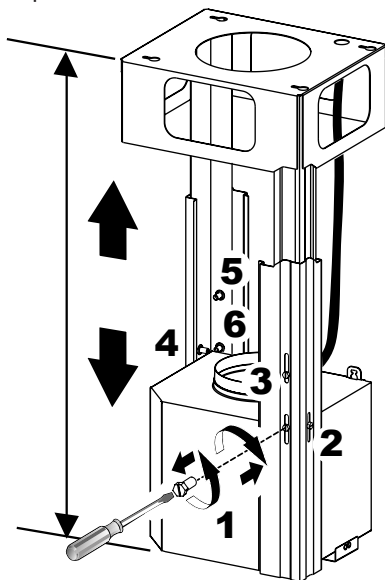
Desserrez les deux vis de fixation de la cheminée supérieure et retirez-la du châssis supérieur.



4

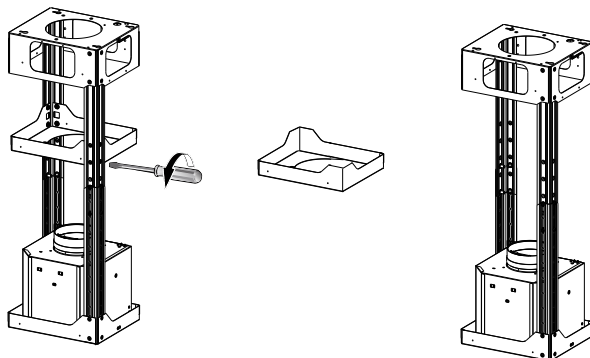
Si vous devez régler la hauteur du châssis, procédez comme suit :

- Dévissez les vis métriques qui relient les deux colonnes, situées sur les côtés du châssis (1,2,3,4,5,6).
- Réglez le châssis à la hauteur souhaitée, puis remettez en place toutes les vis retirées comme indiqué ci-dessus.



RETRAIT DU COMPOSANT DU TRÉTEAU CENTRAL

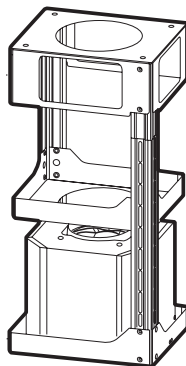
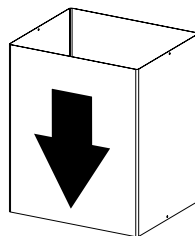
REMARQUE : La structure de la cheminée peut être réduite à une hauteur minimale de 27 po. Pour réduire la hauteur, veuillez retirer la section centrale de la structure de support. La longueur minimale de la cheminée est de 32 pouces. Assurez-vous de suivre la procédure d'installation décrite dans les U&C et que la stabilité est suffisante lorsque la section centrale est retirée.



5

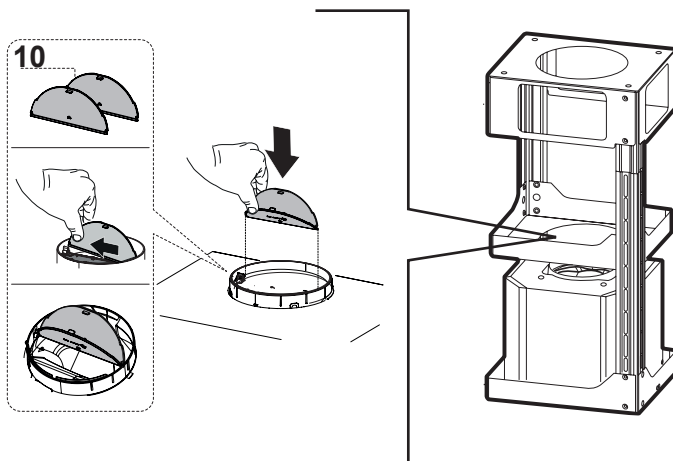
Le conduit supérieur doit être en place avant de commencer.

Après le réglage de la hauteur, insérez la cheminée supérieure et faites-la glisser sur le châssis.

**6**

Seulement pour l'installation d'un conduit d'évacuation

Installez les rabats inclus **10** avec la hotte avant de la raccorder au conduit.



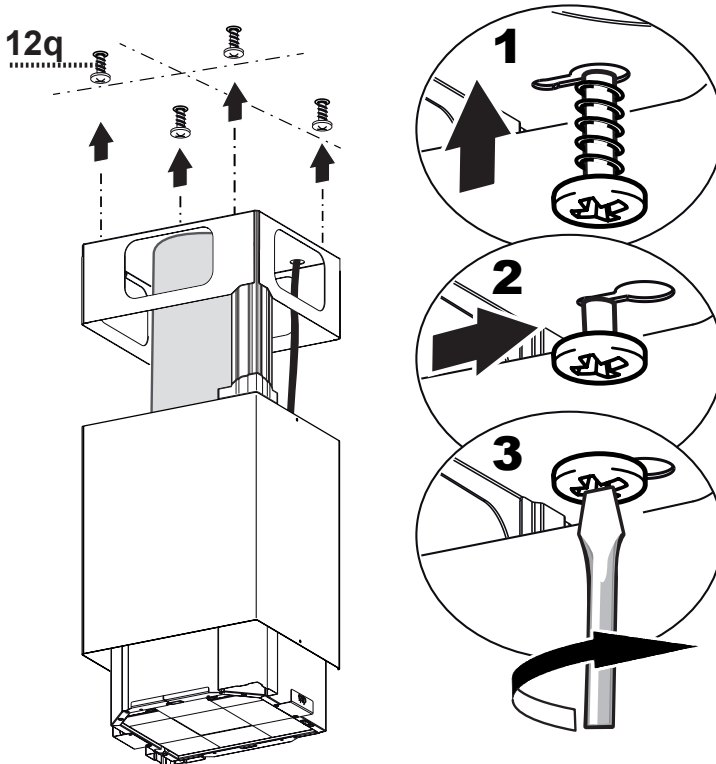
7

Prenez maintenant vos vis à bois ou vos boulons, selon votre installation, et vissez les quatre dans les trous pilotes en laissant 1/4 po de la tête exposée.

Installez ensuite une décharge de traction homologuée UL ou CSA dans la boîte de câblage afin de pouvoir serrer les vis après avoir fixé le support de cheminée au plafond. Soulevez maintenant le support de cheminée dans sa position finale et faites passer l'alimentation électrique par la décharge de traction.

Positionnez ensuite le support de cheminée de façon à ce que la grande extrémité des fentes en trou de serrure se trouve au-dessus des vis ou des boulons de fixation au plafond. Poussez ensuite le support de cheminée de façon à ce que les boulons soient dans le col des fentes. Serrez fermement les quatre vis ou boulons.

- Les fixations du châssis doivent être solides pour résister au poids de la hotte et à toute contrainte causée par la poussée latérale occasionnelle appliquée à l'appareil. Une fois le montage terminé, vérifiez que la base est stable, même si le cadre est soumis à des flexions.
- Dans tous les cas où le plafond n'est pas suffisamment résistant au point de suspension, l'installateur doit prévoir un renforcement à l'aide de plaques et de pièces d'appui appropriées, ancrées aux parties structurellement saines.



8

Installation de la connexion de câblage

Retirez le couvercle du compartiment de câblage de terrain.

NE mettez PAS l'appareil sous tension tant que l'installation n'est pas terminée !

Connectez le câble d'alimentation électrique à la hotte.

Connectez le fil de terre vert (vert et jaune) sous la vis de mise à la terre verte.

Attachez le fil blanc de l'alimentation au fil blanc de la hotte avec un capuchon de connexion.

Fixez le fil noir de l'alimentation électrique au fil noir de la hotte à l'aide d'un connecteur de fil de type torsadé.

Remettez en place le couvercle du compartiment du câblage de terrain et les filtres à graisse.

A. Câble d'alimentation de la maison

B. Fils noirs

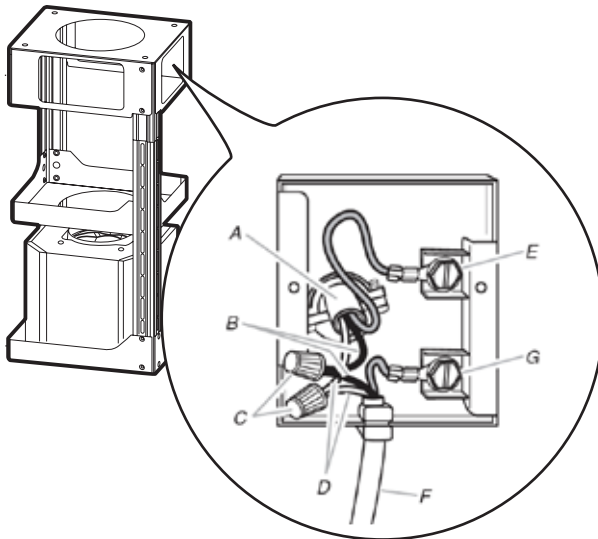
C. Connecteurs de fils homologués UL

D. Fils blancs

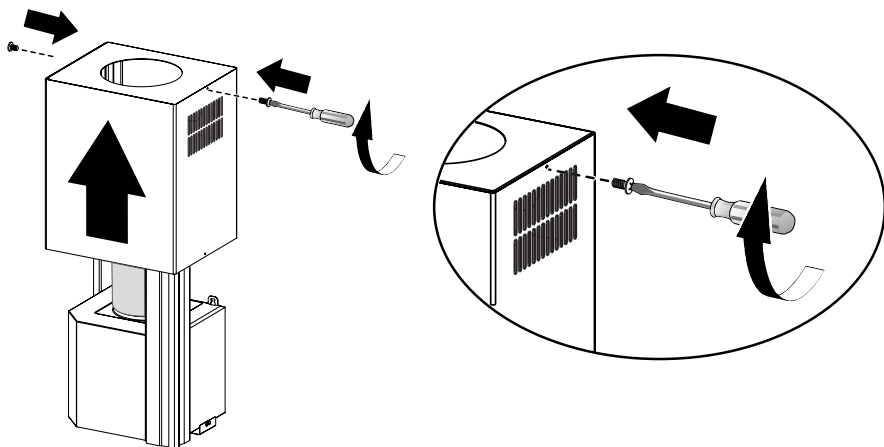
E. Fil de terre vert (ou nu) provenant de l'alimentation électrique de la maison, connecté à la vis de terre verte.

F. Câble d'alimentation de la hotte

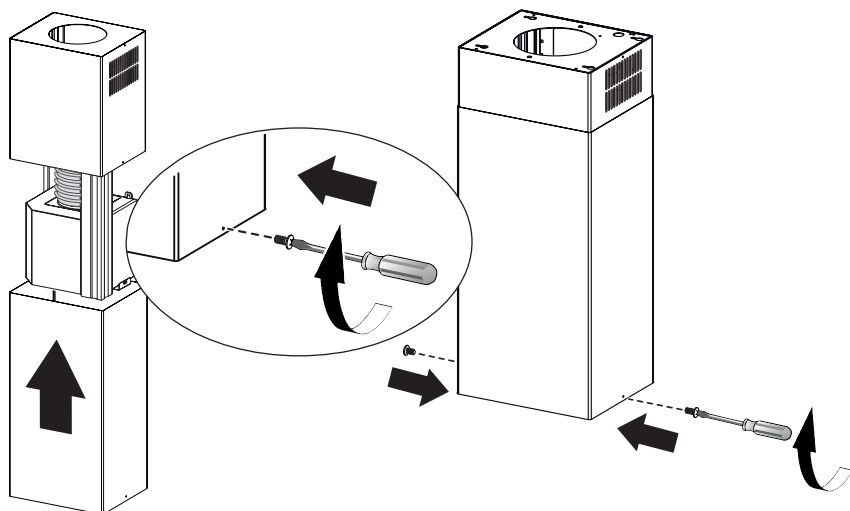
G. Câble d'alimentation de la hotte relié à la vis de terre verte.



- 9** Positionnez la section supérieure de la cheminée et fixez la partie supérieure au cadre à l'aide des 2 vis retirées précédemment.

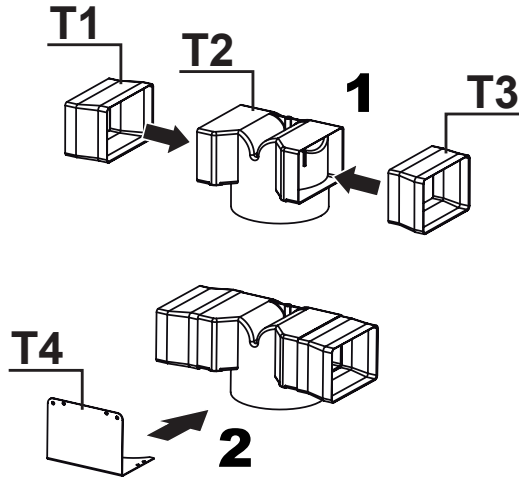


- 10** De même, positionner la partie inférieure de la cheminée et la fixer au châssis à l'aide des deux vis retirées précédemment.

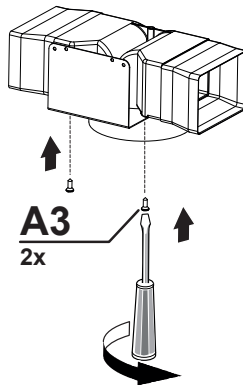


11

Uniquement pour les installations de recirculation sans conduit
Insérez les extensions **T1** et **T3** du connecteur dans le côté du connecteur **T2**.
Insérez le connecteur **T2** dans le support **T4** et fixez-le avec les vis.

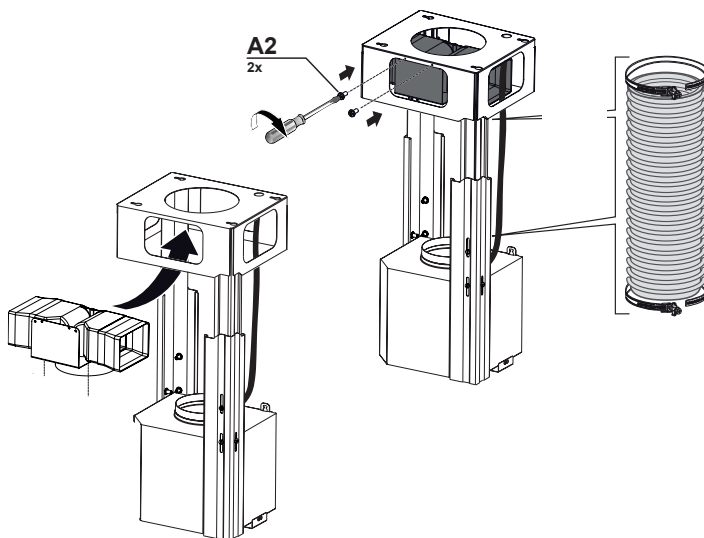


Fixez le support **T4** en le fixant à la partie supérieure avec les vis.

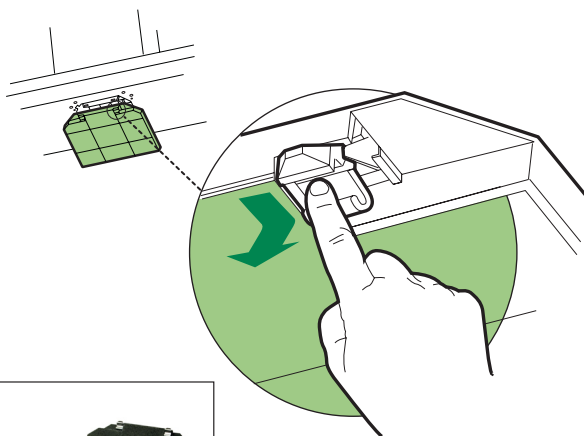


Assurez-vous que les extensions des connecteurs **T1** et **T3** correspondent aux ouvertures de la cheminée, aussi bien horizontalement que verticalement.

Fixez un filtre à charbon à la position adéquate et bloquez-le par les crochets de



fixation comme indiqué. Déverrouillez les crochets de fixation (vers l'arrière de la hotte) pour les retirer.



Accessoire requis pour le filtre à charbon actif - sku # 901497 (acheté séparément)



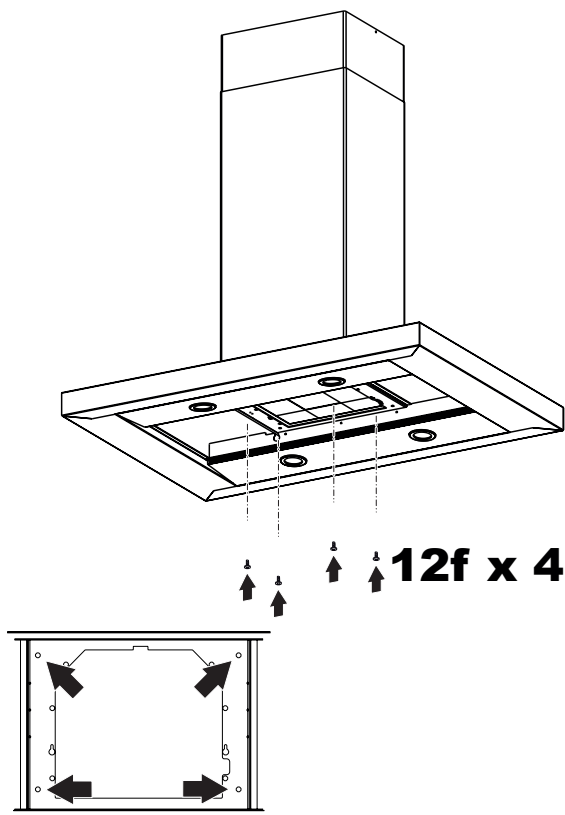
12

Fixation de l'auvent de la hotte

Retirez les filtres à graisse de l'auvent de la hotte.

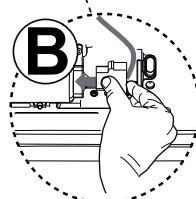
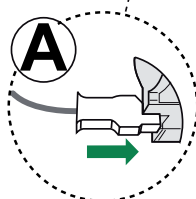
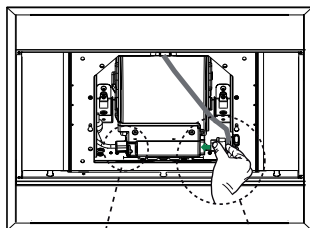
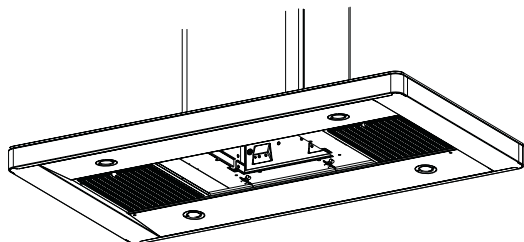
Retirez tous les filtres à charbon actif.

En travaillant par le bas, fixez l'auvent de la hotte au cadre aux endroits indiqués, à l'aide des 4 vis **12f**, puis serrez toutes les vis fermement.



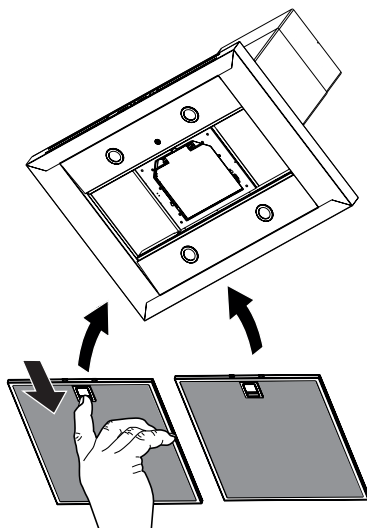
13

Connectez le connecteur « B ».
Vérifiez la connexion du connecteur « A ».



14



Réinstallez les filtres à graisse de l'auvent de la hotte.





FUNCTIONNEMENT DES COMMANDES

POUR DE MEILLEURS RÉSULTATS

Mettez la hotte en marche plusieurs minutes avant la cuisson afin d'assurer une circulation d'air adéquate. Laissez la hotte fonctionner pendant plusieurs minutes après la fin de la cuisson pour éliminer la fumée et les odeurs de la cuisine.

| | | | | |
|---|-----------|-----------|------------|---|
|  | 1 | 2 | 3/i |  |
| | | | | |
| T1 | T2 | T3 | T4 | L |

| Bouton | Fonction |
|---|---|
|  | Bouton d'arrêt du ventilateur : permet d'éteindre le ventilateur. Le ventilateur peut être actionné en appuyant sur l'un des boutons de réglage du ventilateur. Maintenez ce bouton enfoncé pendant 2 secondes pour activer la fonction d'arrêt différé qui maintient le ventilateur en marche pendant 15 minutes et l'arrête automatiquement. |
| 1 | Boutons de réglage du ventilateur : Vitesse lente. |
| 2 | Boutons de réglage du ventilateur : Vitesse moyenne. |
| 3/i | Boutons de réglage du ventilateur : Vitesse élevée / Vitesse intensive. Maintenez le bouton enfoncé pendant 2 secondes pour activer la vitesse intensive, qui est programmée pour fonctionner pendant 6 minutes. A la fin de cette période, le ventilateur revient automatiquement à la vitesse réglée précédemment, ce qui permet de traiter des niveaux élevés de fumées de cuisson. |
|  | Bouton d'éclairage : Interrupteur marche/arrêt pour les lumières. |

REMARQUE : Si votre produit a fait l'objet d'un réglage du CFM, reportez-vous au manuel de réglage du CFM pour obtenir des informations. Certaines vitesses ou fonctions du moteur peuvent être réduites.

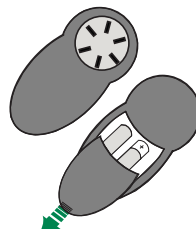
Informations sur la télécommande

L'appareil peut être contrôlé à l'aide d'une télécommande alimentée par une pile alcaline carbone-zinc de 1,5 V de type standard LR03-AAA (non fournie).

- Les piles usagées doivent être mises au rebut de manière appropriée.







Avertissement :

- Ne placez pas la télécommande à proximité de sources de chaleur.
- Ne jetez pas les piles avec les déchets normaux, elles doivent être mises dans les conteneurs spécifiques.
- Assurez-vous que le compartiment à piles est vissé à plat et qu'il est entièrement serré.



Panneau de commande de la télécommande



| | | |
|--|----------|---|
|  | Moteur | Marche/Arrêt du moteur. |
|  | - | Diminue la vitesse de travail à chaque pression. |
|  | - | Augmente la vitesse de travail chaque fois que vous appuyez sur cette touche. |
|  | Intensif | Active/désactive le fonctionnement intensif. |
|  | Delay | Pression brève : Active/désactive la fonction Retard : arrêt automatique avec un retard de 30'. L'écran affiche la vitesse de fonctionnement et le point en bas à droite clignote une fois par seconde. |
|  | Lumière | Allumage/extinction lumières |

NETTOYAGE DE L'ACIER INOXYDABLE

Nettoyage des surfaces extérieures :

Veillez noter que les abrasifs et les produits à récurer peuvent rayer les finitions des hottes de cuisine et ne doivent pas être utilisés pour nettoyer les surfaces finies.

Instructions de nettoyage de la finition en acier inoxydable :

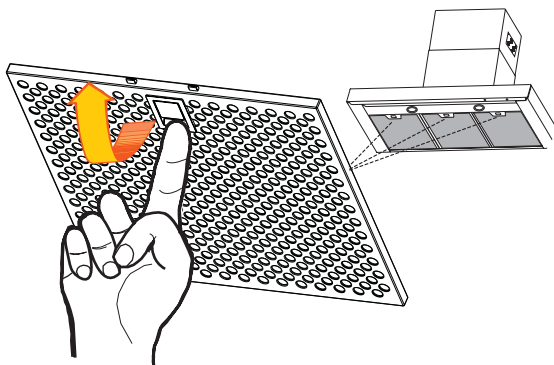
Nettoyez les surfaces extérieures avec un nettoyant pour acier inoxydable commercialisé. Utilisez un chiffon doux en microfibres et essuyez dans le sens du grain de l'acier inoxydable.

ENTRETIEN DES FILTRES

NETTOYAGE DES FILTRES MÉTALLIQUES À GRAISSE

Les filtres doivent être nettoyés tous les 2 mois de fonctionnement, ou plus fréquemment en cas d'utilisation particulièrement intensive ; possibilité de les laver au lave-vaisselle.

- Retirez les filtres un par un, en les poussant vers l'arrière de l'appareil et en tirant en même temps vers le bas.
- Lavez les filtres sans les plier et laissez-les sécher complètement avant de les remettre en place. (Si la surface du filtre change de couleur au fil du temps, cela n'aura absolument aucun effet sur l'efficacité du filtre lui-même).
- Remettez-le en place en veillant à ce que la poignée soit orientée vers l'avant.
- Les filtres ne doivent pas contenir d'eau avant d'être réinstallés dans la hotte.

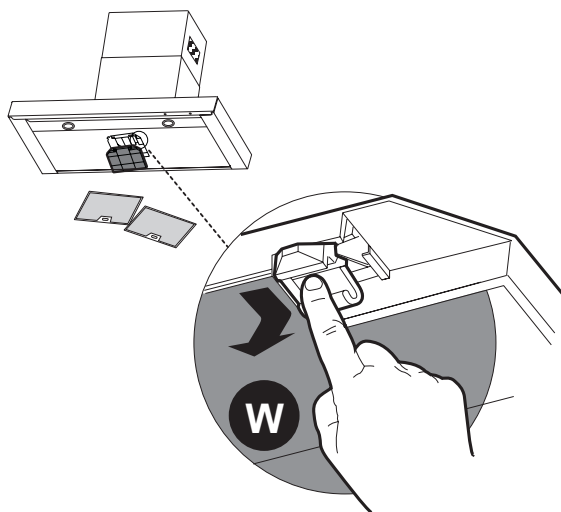


REPLACEMENT FILTRE À CHARBONS ACTIFS

Il doit être remplacé environ tous les 4 mois de fonctionnement, ou plus fréquemment en cas d'utilisation particulièrement intensive.

- Retirez les filtres un par un, en les poussant vers l'arrière de l'appareil et en tirant en même temps vers le bas.
- Retirez le filtre à charbon saturé en dégageant les crochets.
- Installez le nouveau filtre et fixez-le dans sa position correcte.
- Remettez-le en place en veillant à ce que la poignée soit orientée vers l'avant.
- « Lorsqu'il est utilisé en mode recirculation, pour réduire le risque d'incendie et de choc, utilisez uniquement le kit de conversion modèle # 901497.

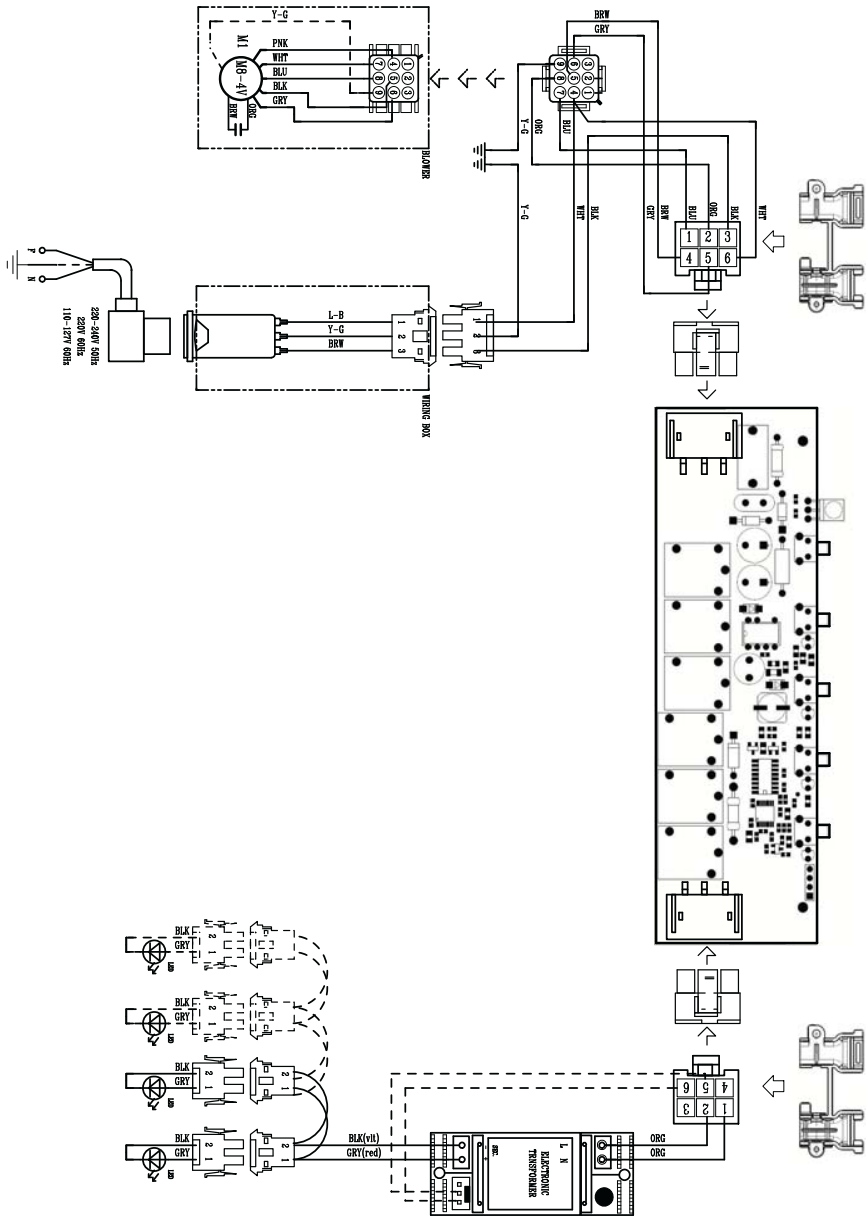
Veillez contacter le détaillant qui vous a vendu le produit pour acheter les filtres à charbon ci-dessus.



REPLACEMENT DES AMPOULES

Les ampoules à DEL doivent être remplacées par un service autorisé.

SCHÉMA DE CÂBLAGE



GARANTIE

Nous Vous prions de bien vouloir vous enregistrer sur notre site web www.bertazzoni.com pour valider votre garantie du nouveau produit et nous aider à Vous aider dans le cas de dommages.

GARANTIE LIMITEE DE DEUX ANS

Les garanties offertes par Bertazzoni SpA dans cette déclaration s'appliquent exclusivement aux appareils et composants Bertazzoni vendus comme neufs au propriétaire original par un distributeur, détaillant, concessionnaire ou centre de service autorisé et installés aux États-Unis et Canada. Les garanties fournies dans cette déclaration peuvent pas être transférées et sont valables à partir de la date d'installation.

INFORMATIONS SUR LA COUVERTURE

Bertazzoni SpA procédera à la réparation ou remplacera tout composant défectueux à cause des matériaux et/ou fabrication pendant 2 ans à compter de la date d'installation et dans les conditions normales d'utilisation dans le cadre familial. La réparation ou le remplacement sera effectué à titre gratuit et inclura les frais de main-d'œuvre et les frais de transport. Les réparations doivent être effectuées par un Centre de Service Bertazzoni Autorisé pendant les heures de travail normales. Les défauts doivent être signalés dans les 30 jours qui suivent l'installation. Cette garantie ne couvre pas l'utilisation du produit dans le cadre commercial.

GARANTIE ESTHÉTIQUE

Bertazzoni SpA couvre les pièces présentant des défauts cosmétiques de matériaux et de fabrication pour une période de trente (30) jours à compter de la date d'installation de l'unité. Cette couverture inclut les rayures, les taches, les imperfections de surface sur l'acier inoxydable, de la peinture et de la porcelaine, à l'exclusion de légères différences de couleur dues à des matériaux et des technologies de peinture / émailage.

Les coûts de main-d'œuvre, B stock, appareils out-of-box et les unités d'affichage sont exclus COMMENT OBTENIR LE SERVICE CLIENT

Pour obtenir le service de garantie, veuillez contacter Bertazzoni Customer Service aux numéros indiqués ci-dessous et fournir le numéro du modèle, le numéro de série et la date d'achat.

Cette information sera demandée par notre équipe et sera très importante pour accélérer la résolution du problème.

UNITED STATES

<https://us.bertazzoni.com/more/support>

Phone: 866-905-0010

CANADA

<https://ca.bertazzoni.com/more/support>

Phone : 800-361-0799

Il faut conserver la preuve d'achat ou l'origine de l'installation afin d'établir la période de garantie. Une copie du numéro de série sera collée derrière le manuel d'emploi.

CE QUI NE SERA PAS PRIS EN CHARGE

1. Le produit utilisé dans toute application commerciale/commerciale.
2. Service de réparation fourni par un agent de service autorisé autre que Bertazzoni.
3. N'importe quel dommage ou service de réparation nécessaire pour corriger un service effectué par un agent non autorisé et/ou par suite d'utilisation de pièces non autorisées.
4. Installation non conforme aux codes électriques locaux ou aux codes de plomberie.
5. Les défauts ou dommages dus à une mauvaise conservation du produit.
6. Les défauts ou dommages et les pièces oubliés sur les produits vendus au dehors de l'emballage d'origine ou d'affichage.
7. Les appels de service ou des réparations pour corriger l'installation du produit et/ou accessoires.
8. Les appels de service pour se connecter, ou réparer le câblage électrique et/ou de gaz afin d'utiliser le produit d'une façon correcte.
9. Les appels de service pour fournir des instructions sur l'utilisation d'un produit Bertazzoni.
10. Service de réparation dû à une utilisation différente que celle standard et habituel à la maison.
11. Remplacement des pièces d'usure.
12. Remplacement des verres et des ampoules si elles sont échouées au plus tard 30 jours après l'installation et en aucun cas plus tard 4 mois après la date d'achat.
13. Défauts et dommages résultant d'un accident, modification, mésusage, abus, mauvaise installation.
14. Défauts et dommages résultant du transport du produit à la maison du propriétaire.
15. Les défauts et les dommages résultant de forces externes qui échappent au contrôle de Bertazzoni SpA tels que les incendies, les inondations, les tremblements de terre et autres catastrophes naturelles.

Au cas où le produit sera installé dans une zone, là où techniciens qualifiés certifiés ne sont pas raisonnablement disponibles, le client sera responsable des coûts de transport pour la livraison du produit au centre de service autorisé le plus proche, ou pour les coûts de déplacement d'un technicien qualifié certifié Bertazzoni exclut toute responsabilité pour les dommages accidentels ou indirects. Certains pays n'autorisent pas l'exclusion ou la limitation des dommages accidentels ou indirects, la limitation indiquée ci-dessus peut donc ne pas s'appliquer à vous. Cette garantie vous offre des droits spécifiques et vous pouvez bénéficier d'autres droits qui peuvent varier d'un État à l'autre et d'une province à l'autre.

