

## SH-570 Shower Arm Installation Instructions

**CALIFORNIA FAUCETS RECOMMENDS THAT ALL PLUMBING PRODUCTS BE INSTALLED BY A LICENSED PROFESSIONAL**

**IMPORTANT: Read all instructions prior to installation and provide copy of instructions to consumer.**

**Operating Specifications:**

Recommended Supply Pressure: 20 to 70 psi†  
Flow Rate (at 60 psi): 10 gpm

† If water pressure exceeds 70 psi, install a Pressure-Reducing Valve (RPV).

### INSTALLING SHOWER ARM

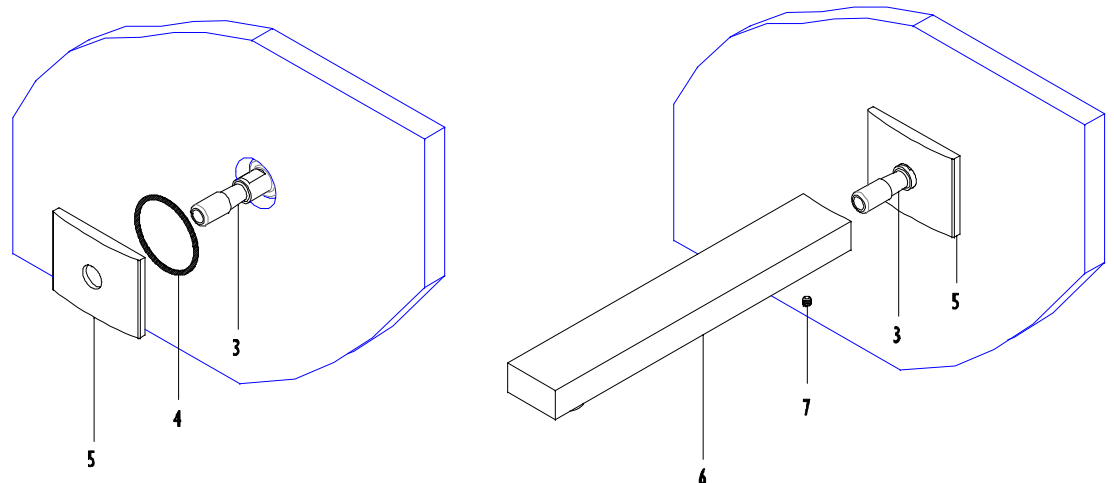
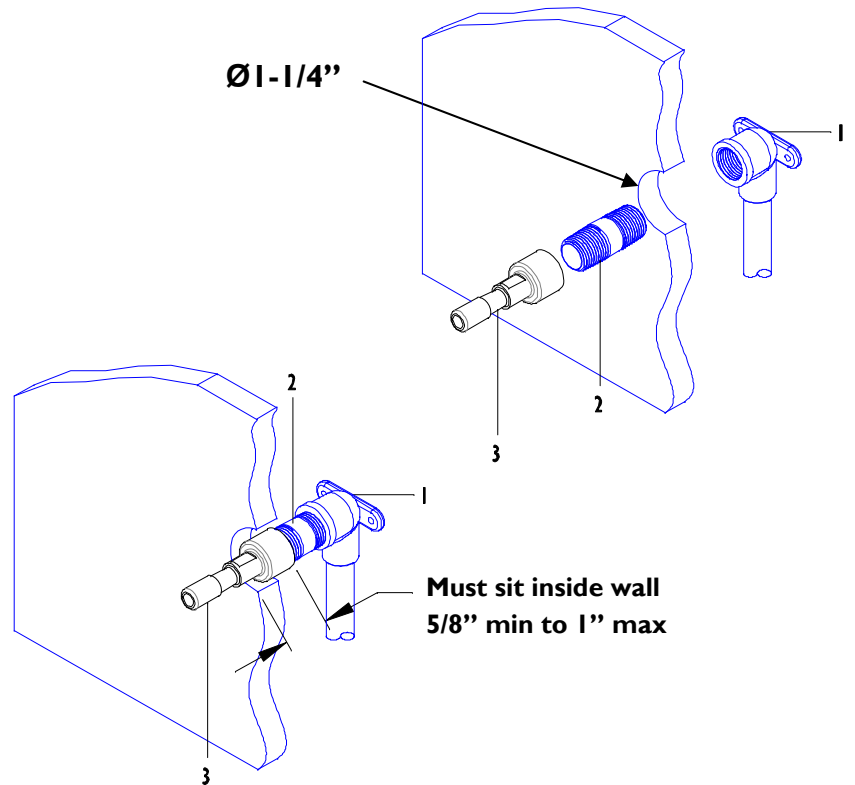
- Prior to installing shower arm in-wall fittings and rough valve must be properly installed and wall surface must be completely finished
- Recommended through-hole size shall be  $\varnothing 1-1/4"$
- Apply thread sealant to both threaded ends of NIPPLE (2), not supplied, and tighten into supported ELBOW (1), not supplied

**IMPORTANT:** QUICK CONNECT (3) must sit inside wall 5/8" min to 1" max, to properly secured SHOWER ARM (6) to QUICK CONNECT (3). This may be achieved by selecting proper NIPPLE (2) length.

- Securely tighten QUICK CONNECT (3) onto end of NIPPLE (2) using 1/2" open-end wrench
- Place O-RING (4) into ESCUTCHEON (5) & slide ESCUTCHEON (5) onto QUICK CONNECT (3)

**IMPORTANT:** To prevent damage to internal o-ring on SHOWER ARM (6), QUICK CONNECT (3) must be free of any dirt and/or debris

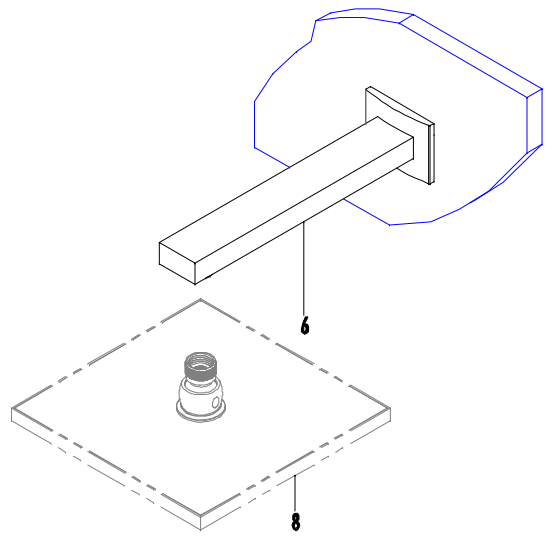
- Slide SHOWER ARM (6) onto QUICK CONNECT (3), align ESCUTCHEON (5) & SHOWER ARM (6) and tighten SETSCREW (7) on bottom side of SHOWER ARM (6)



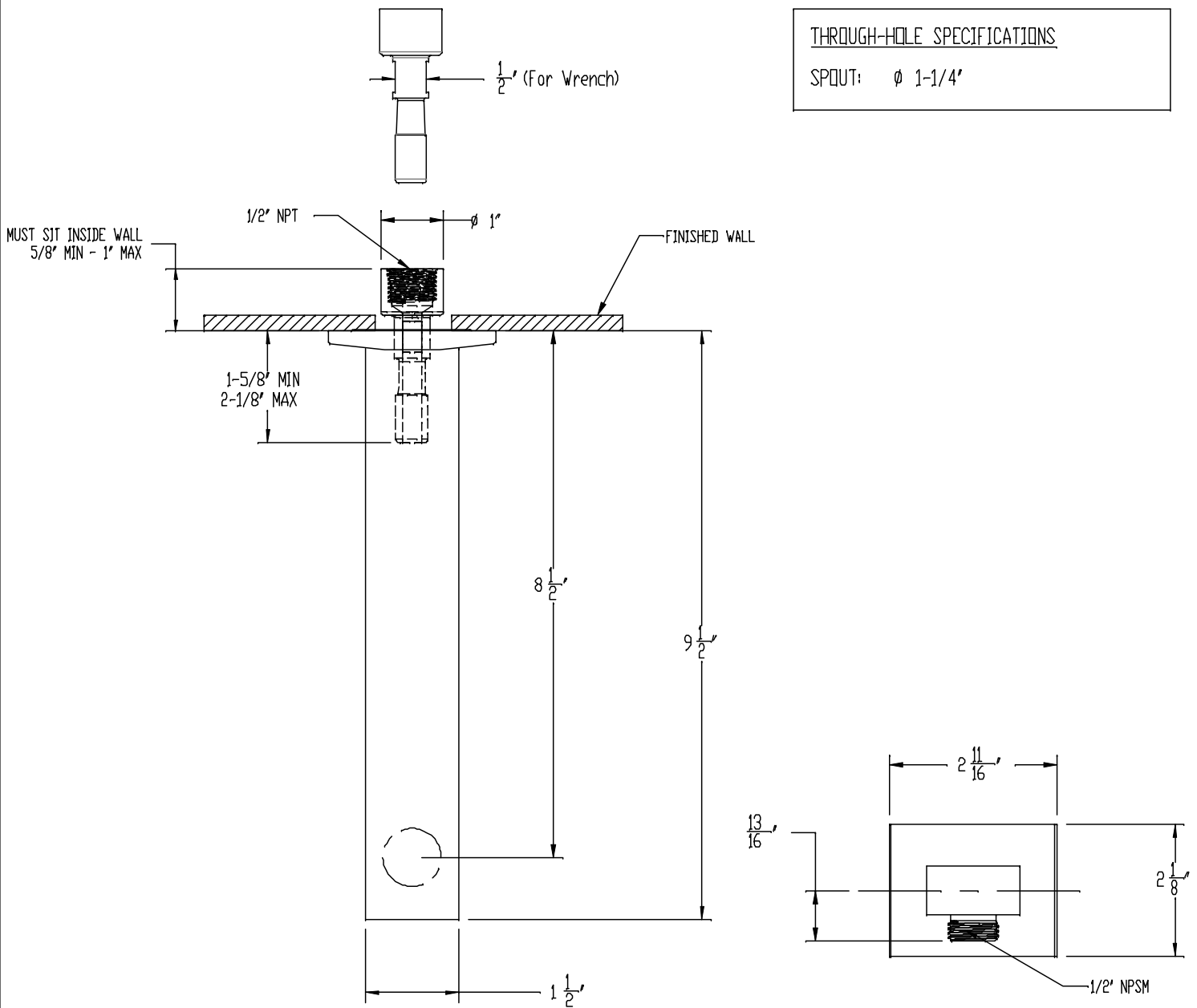
# 2

## INSTALLING SHOWER HEAD

- Attach SHOWERHEAD (8), not supplied, onto SHOWER ARM (6)



### SPECIFICATION DIMENSIONS



ALL DIMENSIONS SHOWN TO NEAREST 1/16"