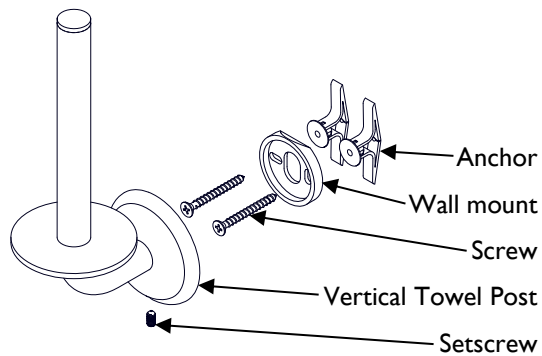


## Vertical Towel Post Installation Instructions

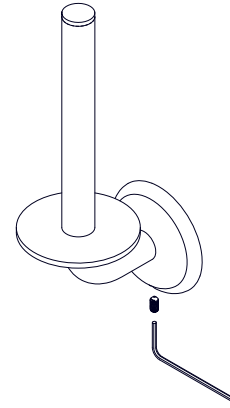
**CALIFORNIA FAUCETS RECOMMENDS THAT ALL PRODUCTS BE INSTALLED BY A LICENSED PROFESSIONAL**

**IMPORTANT: Read all instructions prior to installation and provide copy of instructions to consumer.**

### A PARTS

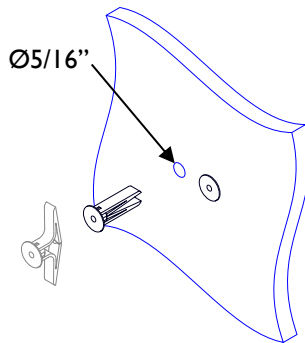


### 1



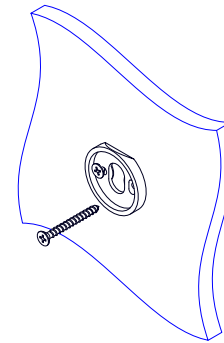
Loosen setscrews to remove wall mounts

### 1



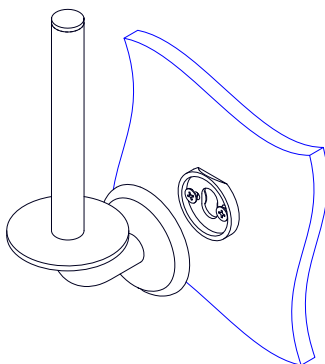
Using wall mount mark location of holes.  
Drill holes and insert folded anchors

### 3



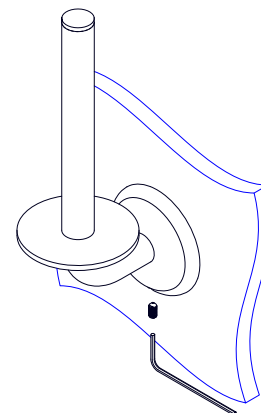
Secure wall mount with screws

### 4



Place towel post onto leveled wall mount

### 5



Secure towel post to wall mount with setscrew