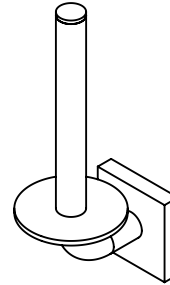




Features

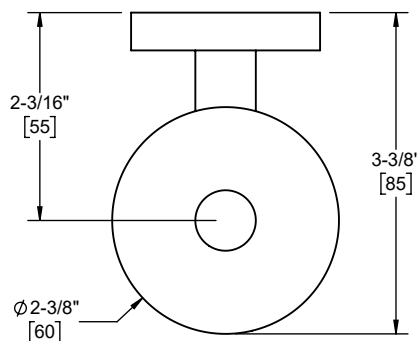
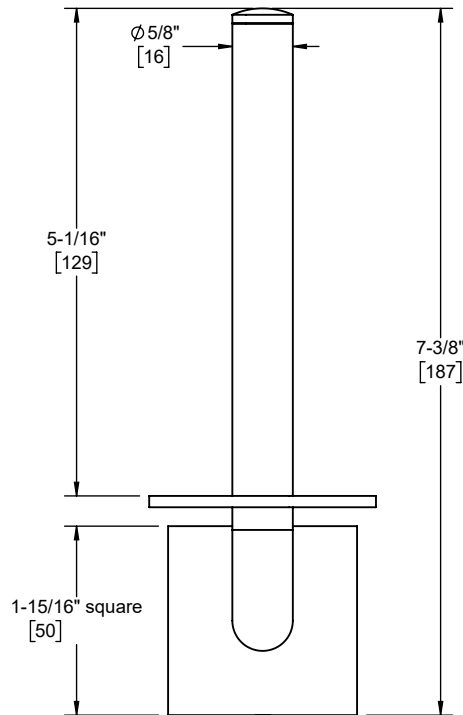
- Available in 28 finishes including 13 PVD finishes
- All brass construction
- Includes all mounting hardware

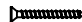


Codes/Standards

Product meets or exceeds the following:

- None applicable



 (2x) 8 - 1-1/2" phillips head screw



(2x) 3/8" - 1/2" wall anchor