



California Faucets®

Steampunk Bay™

WALL OR DECK HANDLE TRIM

Features

- Base 2-1/2" square
- Use for wall stop, wall diverter, or deck diverter
- Rough valve (50-W-R, 75-W-R, WDV-R, DDV-R) sold separately
- All brass construction
- Over 30 finishes including 15 PVD finishes

TO-85-W
TO-85W-W
TO-85B-W

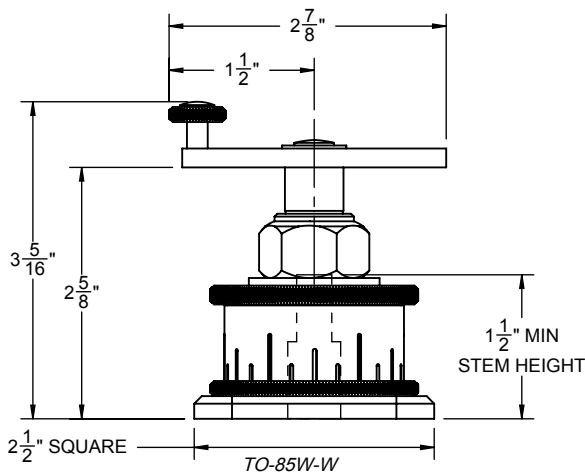
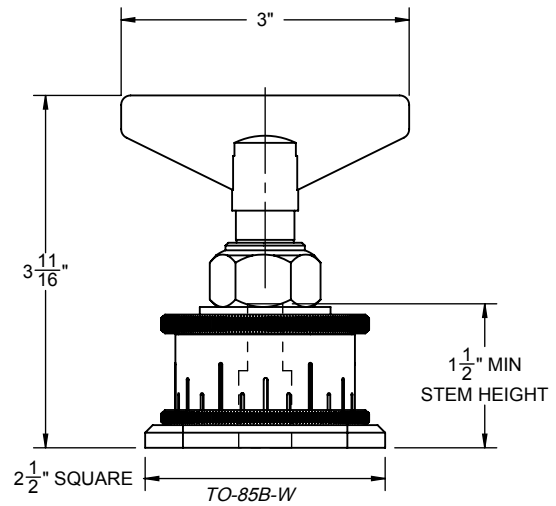
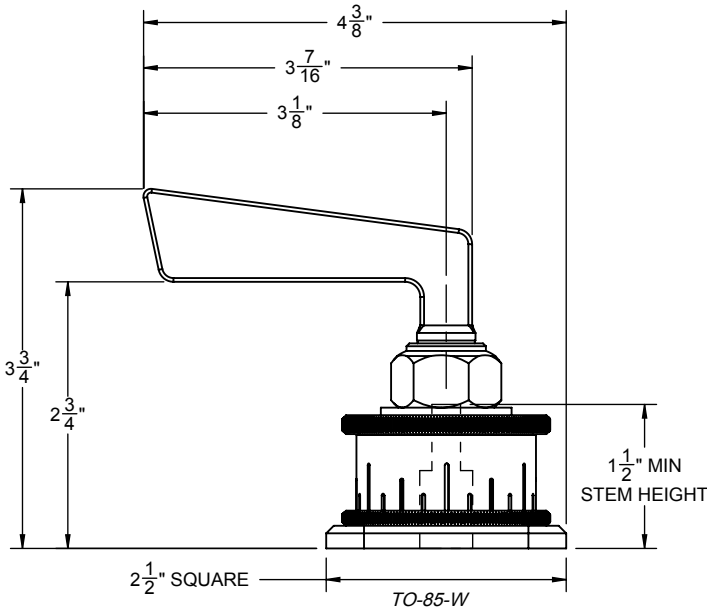


TO-85-W SHOWN

Codes/Standards Applicable

Product meets or exceeds the following:

- ASME A112.18.1/CSA B125.1
- ADA compliant (with lever handles)



THROUGH-HOLE SPECIFICATIONS

MIN	RECOMMENDED	MAX
Ø 1-1/4"	Ø 1-3/8"	Ø 1-1/2"