

MECHANICAL FAUCETS

869-BLHPVC

Pure Water Faucets



Product Type

Deck Mounted Polyvinyl Chloride PVC Distilled Water Faucet for Left Hand Operation

Features & Specifications

- Polyvinyl Chloride
- 3/8" NPT Female Inlet or 1/2" NPSM Male Thread Inlet

Performance Specification

- Rated Operating Pressure: 80 PSI
- Rated Operating Temperature: 90°F

Warranty

- Lifetime Limited Faucet Warranty
- 5-Year Limited Cartridge Warranty
- 1-Year Limited Finish Warranty

Job Name _____

Item Number _____

Section/Tag _____

Model Specified _____

Architect _____

Engineer _____

Contractor _____

Submitted as Shown Submitted with Variations

Date _____



2100 South Clearwater Drive
Des Plaines, IL
P: 847/803-5000
F: 847/803-5454
Technical: 800/TEC-TRUE
www.chicagofaucets.com

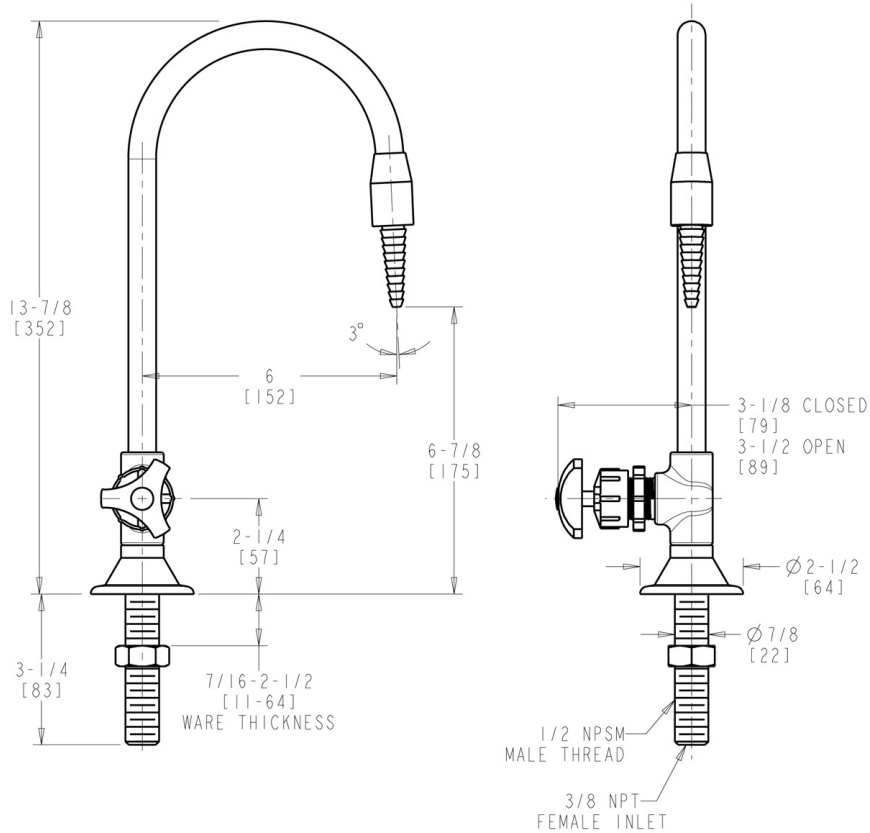
869-BLHPVC

Pure Water Faucets



Architect/Engineer Specification

Chicago Faucets No. 869-BLHPVC, Distilled Water Faucet, polyvinyl chloride (PVC), deck-mounted, for left-hand operation. 3/8" NPT female inlet or 1/2" NPSM male thread inlet.



Operation and Maintenance

Installation should be in accordance with local plumbing codes. Flush all pipes thoroughly before installation. After installation, remove spout outlet or flow control and flush faucet thoroughly to clear any debris. Care should be taken when cleaning the product. Do not use abrasive cleaners, chemicals or solvents as they can result in surface damage. Use mild soap and warm water for cleaning and protecting the life of Chicago Faucet products. For specific operation and maintenance refer to the installation instructions and repair parts documents that are located at www.chicagofaucets.com.

Chicago Faucets, member of the Geberit Group, is the leading brand of commercial faucets and fittings in the United States, offering a complete range of products for schools, laboratories, hospitals, office buildings, food service, airports and sport facilities. Call 1.800.TECTRUE or 1.847.803.5000 Option 1 for installation or other technical assistance.



2100 South Clearwater Drive
Des Plaines, IL
P: 847/803-5000
F: 847/803-5454
Technical: 800/TEC-TRUE
www.chicagofaucets.com