

CLARKE
ARCHITECTURAL

THE INFORMATION CONTAINED IN THIS DRAWING IS THE SOLE PROPERTY OF CLARKE PRODUCTS INC. ANY REPRODUCTION IN PART OR AS A WHOLE WITHOUT THE WRITTEN PERMISSION OF CLARKE PRODUCTS INC. IS PROHIBITED.

TITLE: Sovereign Tub 6030

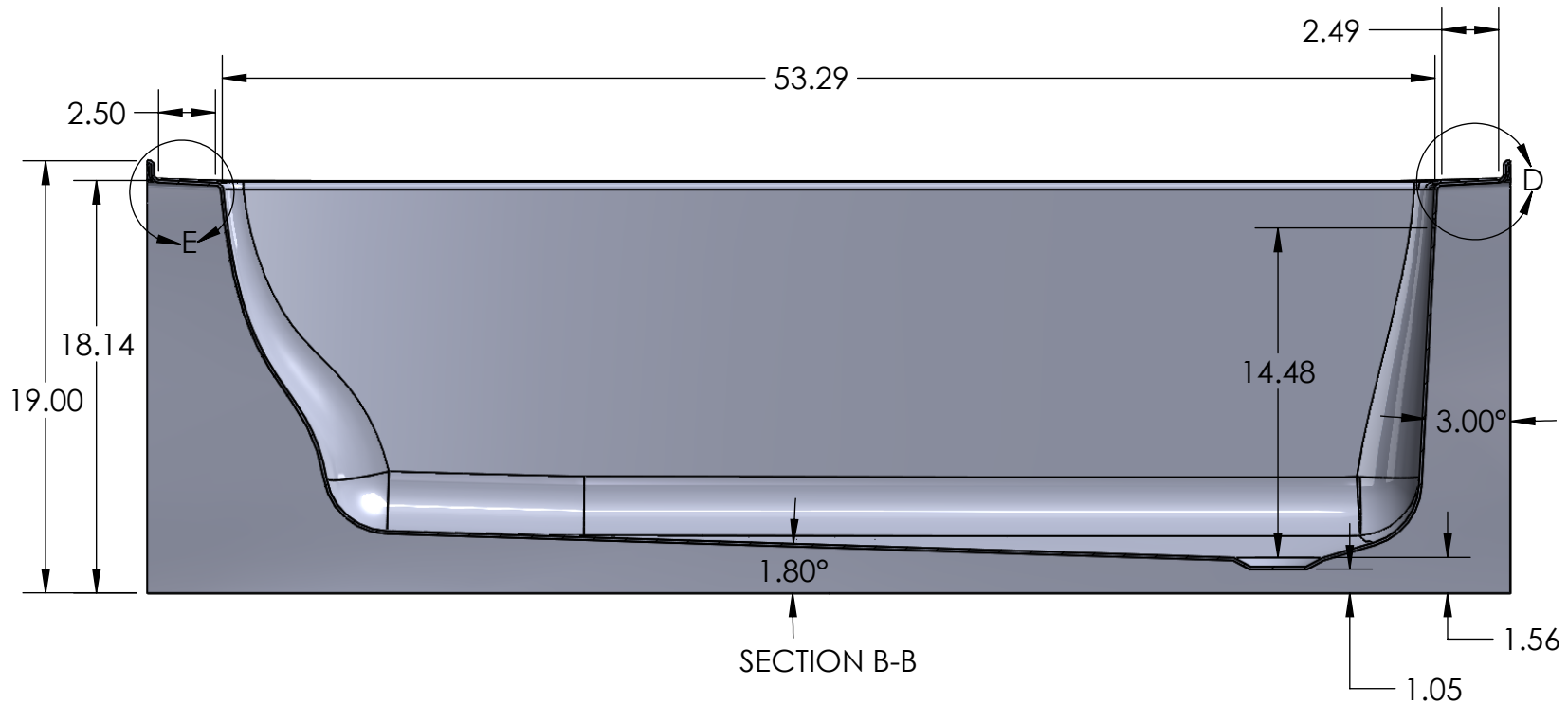
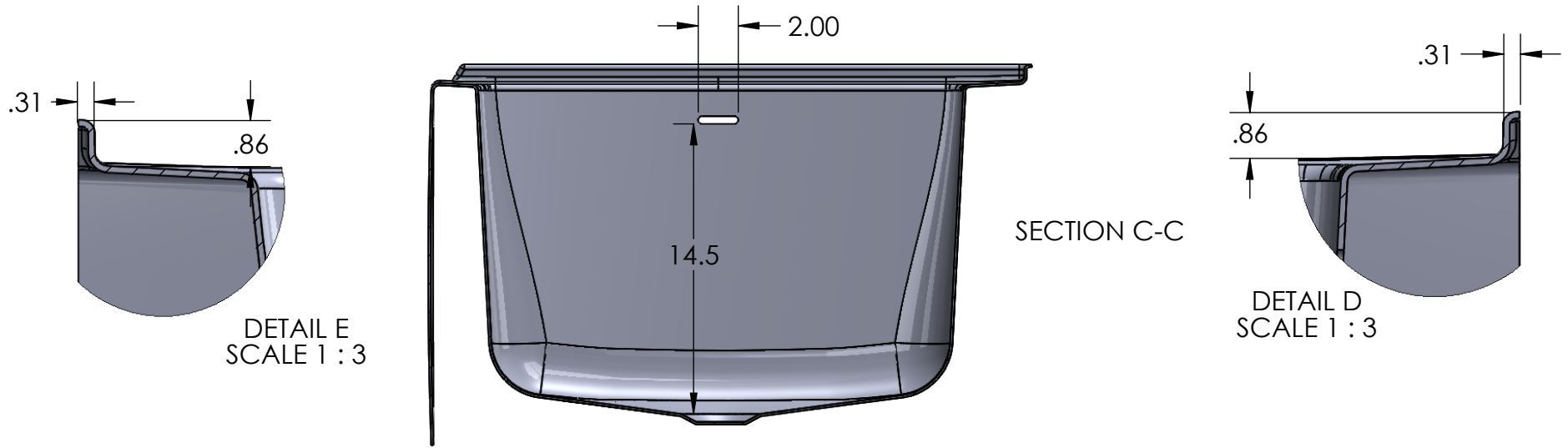
DESC:

DRAWN:

MM

DATE:

3/26/2019

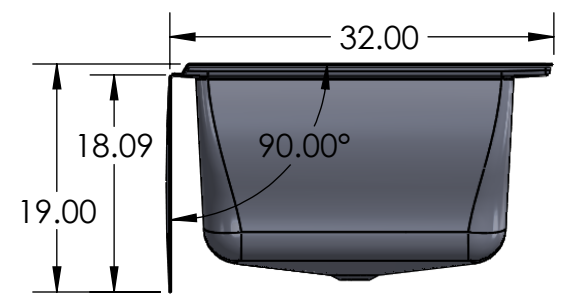
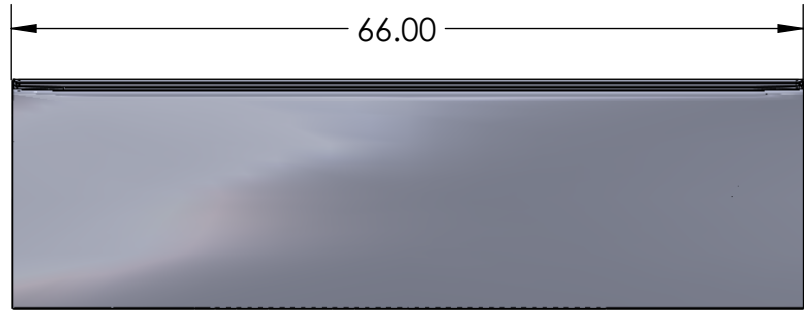
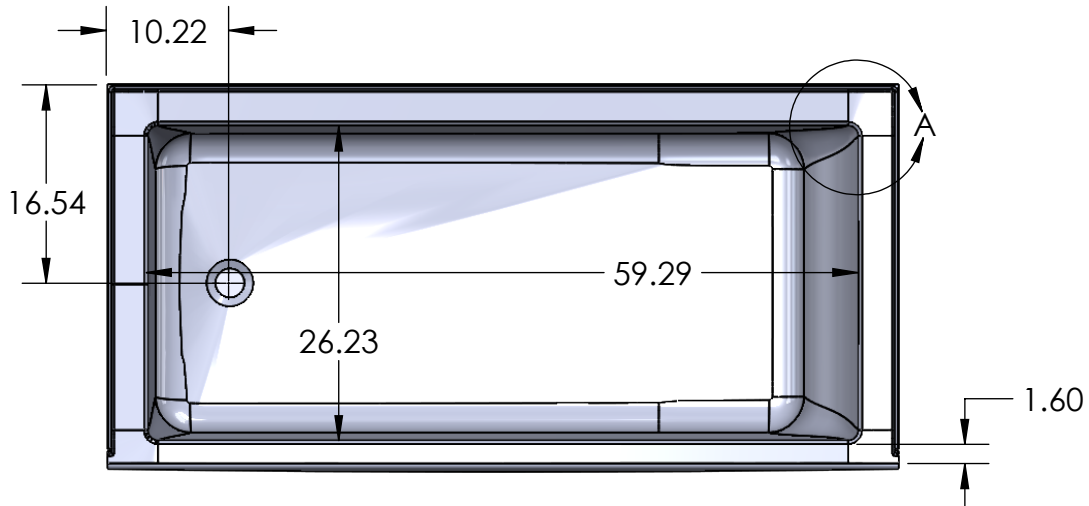
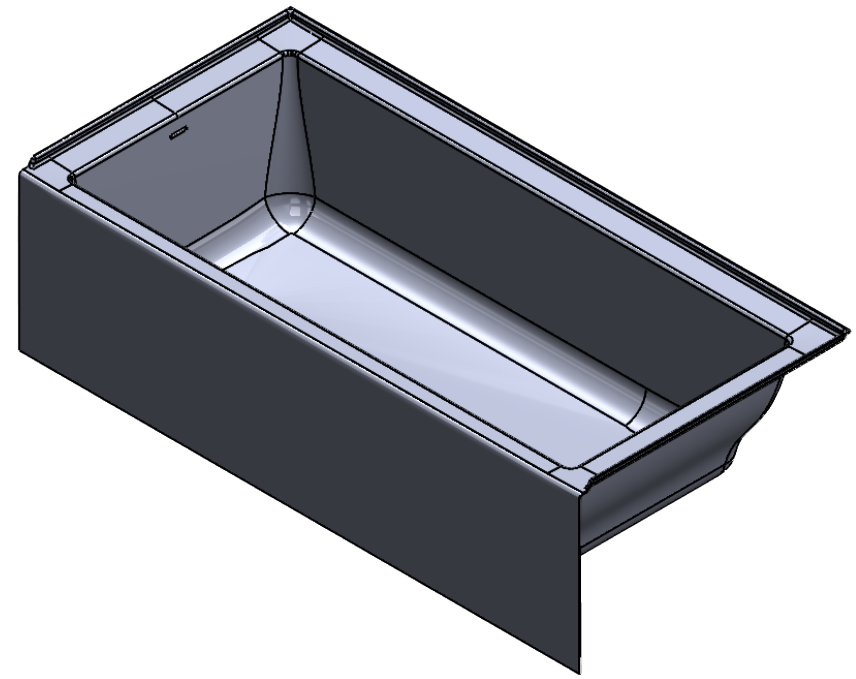
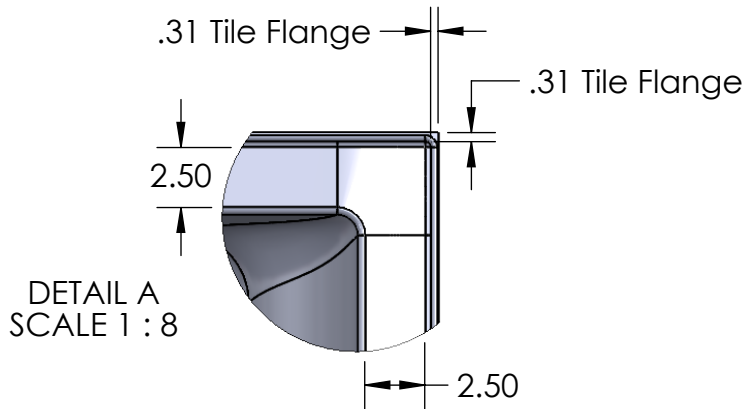


CLARKE
ARCHITECTURAL

THE INFORMATION CONTAINED IN THIS DRAWING IS THE SOLE PROPERTY OF CLARKE PRODUCTS INC. ANY REPRODUCTION IN PART OR AS A WHOLE WITHOUT THE WRITTEN PERMISSION OF CLARKE PRODUCTS INC. IS PROHIBITED.

TITLE: Sovereign Tub 6030
DESC: Cross Section

DRAWN:
MM
DATE:
3/26/2019



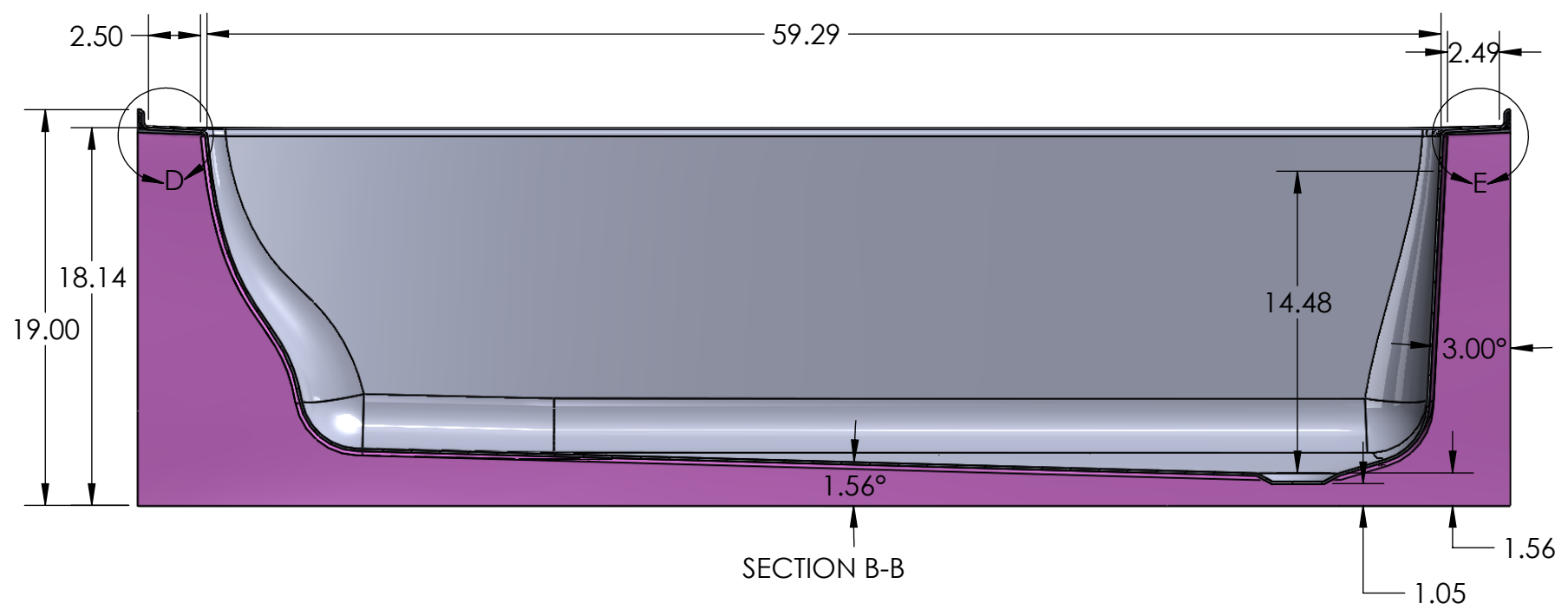
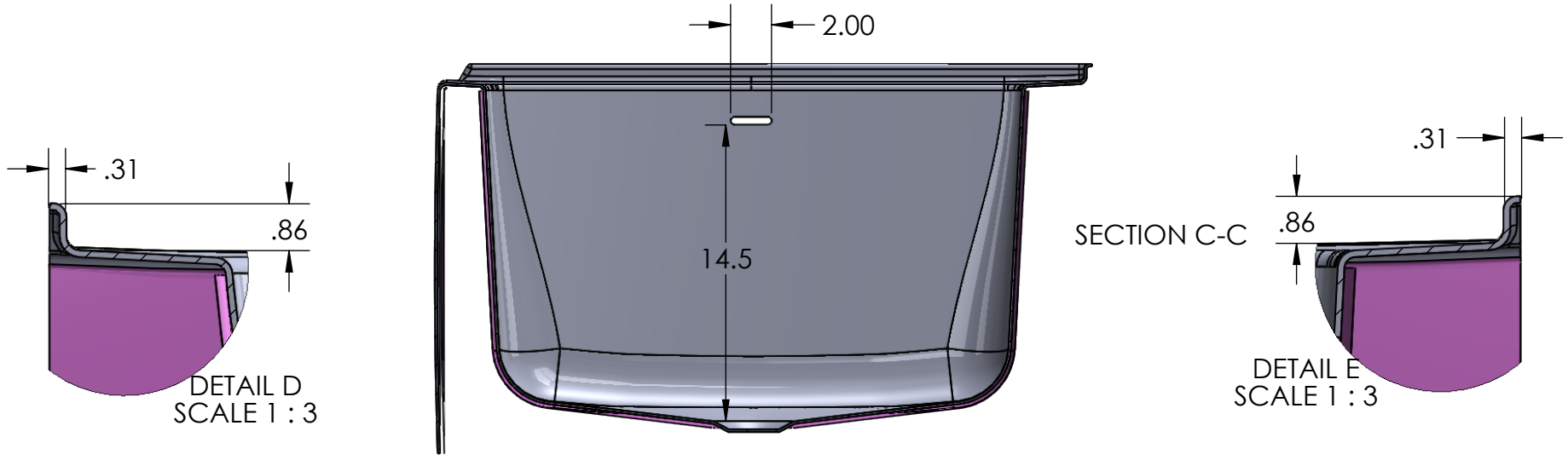
CLARKE
ARCHITECTURAL

THE INFORMATION CONTAINED IN THIS DRAWING IS THE SOLE PROPERTY OF CLARKE PRODUCTS INC. ANY REPRODUCTION IN PART OR AS A WHOLE WITHOUT THE WRITTEN PERMISSION OF CLARKE PRODUCTS INC. IS PROHIBITED.

TITLE: Sovereign Tub 6632

DESC:

DRAWN:
MM
DATE:
3/26/2019



CLARKE
ARCHITECTURAL

THE INFORMATION CONTAINED IN THIS DRAWING IS THE SOLE PROPERTY OF CLARKE PRODUCTS INC. ANY REPRODUCTION IN PART OR AS A WHOLE WITHOUT THE WRITTEN PERMISSION OF CLARKE PRODUCTS INC. IS PROHIBITED.

TITLE: Sovereign Tub 6632
DESC: Cross Section

DRAWN:
MM
DATE:
3/26/2019