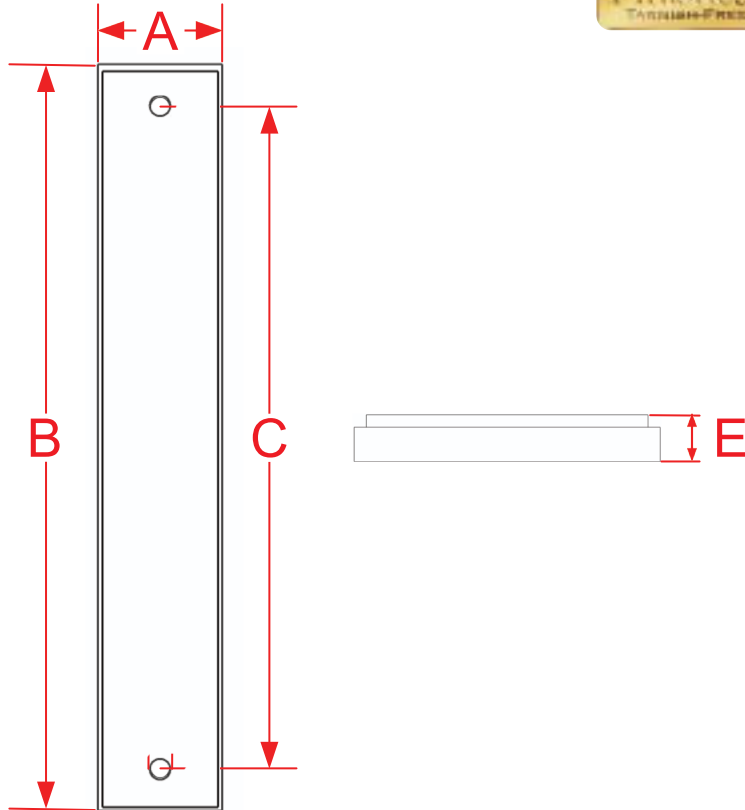


9944 Series Backplates



Finishes for Life
TARNISH-FREE GUARANTEED



	A	B	C	D	E
Part #	Width	Height	Center to Center	Screw Hole Diameter	Projection
9944-8	1.5000"	9.0000"	8.0000"	0.2500"	0.1875"
9944-10	1.5000"	11.0000"	10.0000"	0.2500"	0.1875"
<i>Please Note Drawing is NOT to Scale</i>					
Custom Sizing Available					



Manufacturing Fine Architectural Hardware
in the USA Since 1927



Copyright 2015
Colonial Bronze Company
All rights reserved
www.colonialbronze.com -
860.489.9233