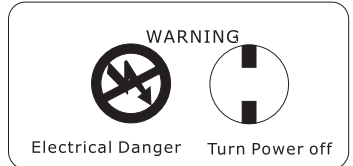


CRYSTORAMA


95 Cantiague Rock Road , Westbury, NY 11590 • toll free: 1.800.888.4470 fax: 516.931 .1254 • info@crystorama.com • www.crystorama.com

MODEL#: 515-SA ASSEMBLY AND DRESSING INSTRUCTIONS



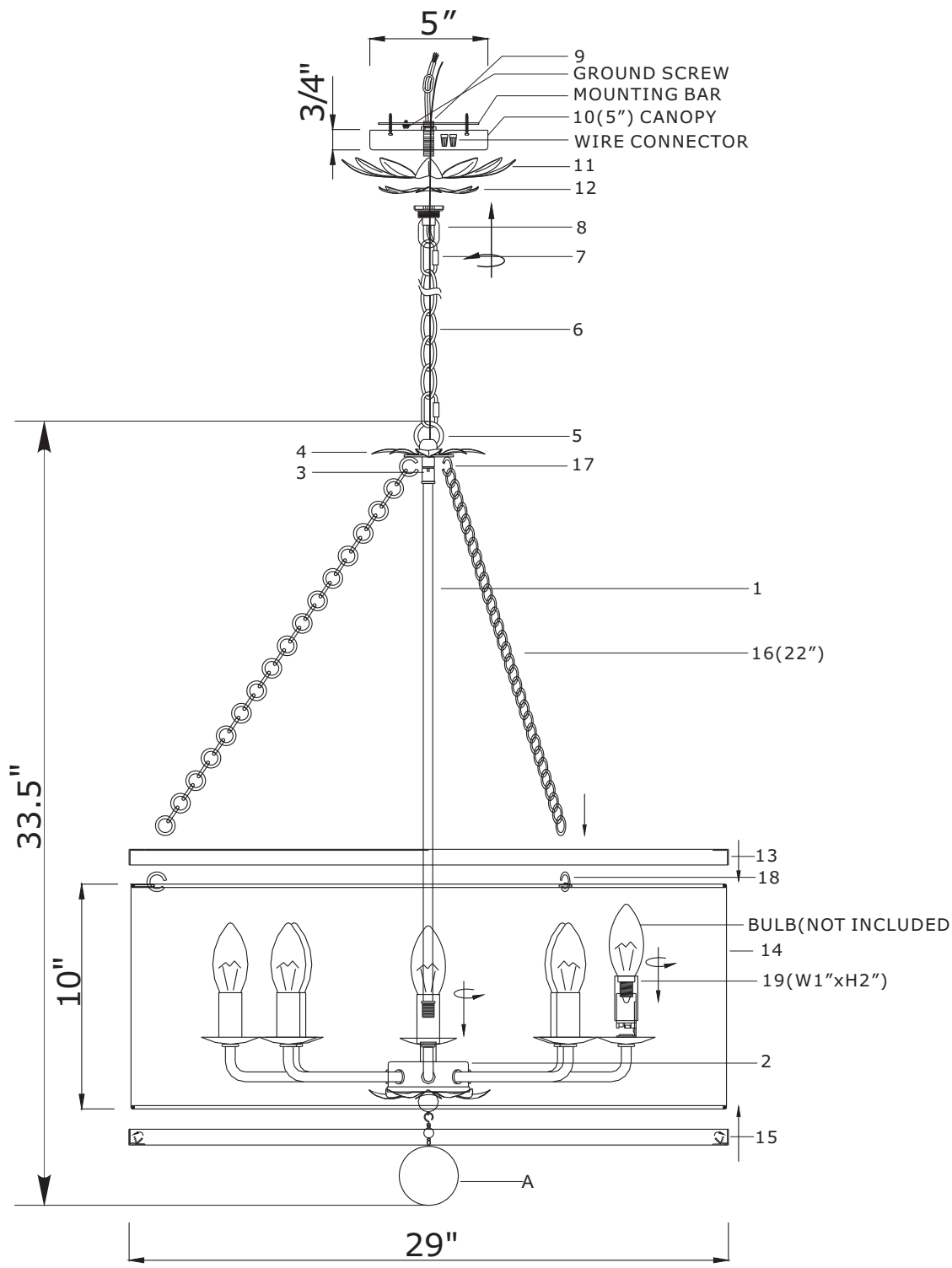
All electrical components must be installed by a licensed electrician in accordance with the National Electric Code and the appropriate local electrical codes




 You will need 8 Candelabra bulbs.40 Watts recommended 60 Watts max.Bulb not included.
USE LED FOR EXTENDED USE

Assembly Instructions:

- 1) Pass wire through center rod [1] and screw it into cluster [2]. Then screw it into cluster [2]. Then through swivel [3], top leaf assembly [4], fixture loop [5], chain [6], last screw [3] into [1].
- 2) Open the quick link [7], circled [6] and screw collar [8] together.
- 3) Screw the threaded pipe [9] from the canopy [10] inside through the [10] and two decorative metal leaves [11], [12] into [8]. Then pass wire from [6] to [9].
- 4) Put over the metal band ring [13] on the top of the shade [14], open the clip in the [15] to hold the bottom of [14].
- 5) Take one of the decorative chains [16], the top hanging hook [17], the bottom hanging hook [18]. The same is true for the other two [16].
- 6) Put the candle sleeve [19] into the socket, Insert recommended bulb (not applied).
- 7) Hang the metal ball "A" under the [2].



A:  10mm metal ball+60mm metal ball