

# CRYST RAMA



1958

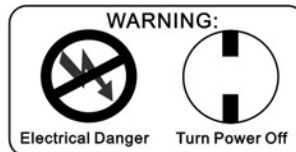
95 Cantiague Rock Road, Westbury NY 11590

ph:516.931.9090 fax: 516. 931.1254

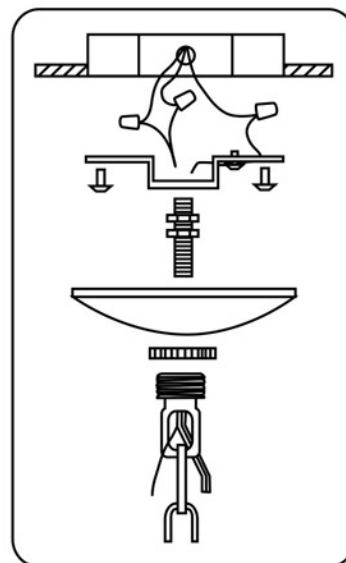
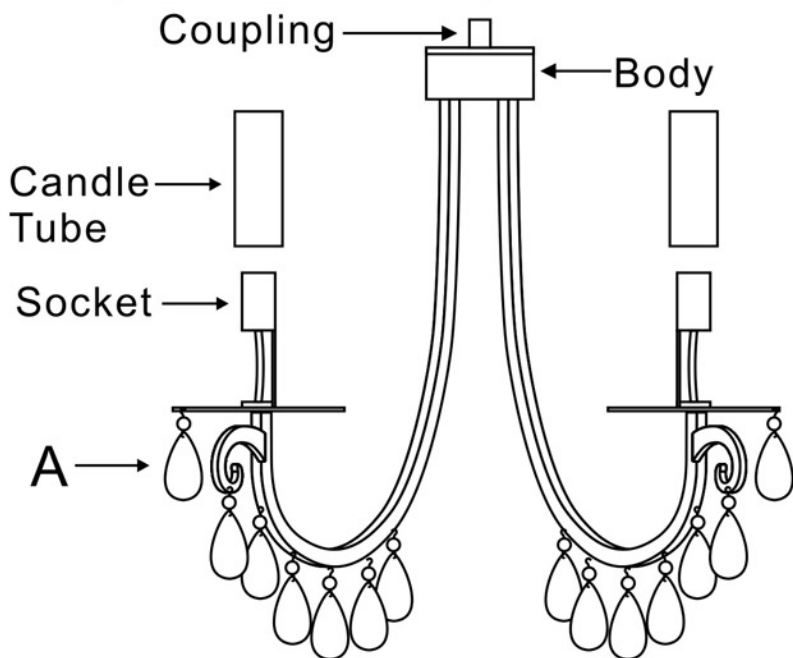
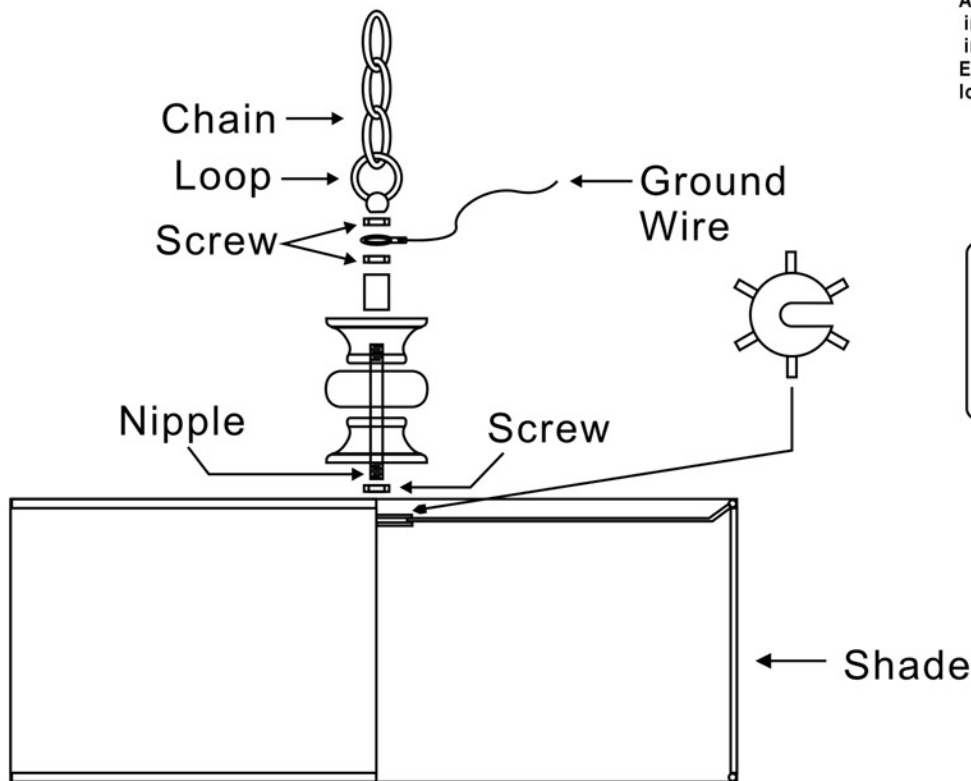
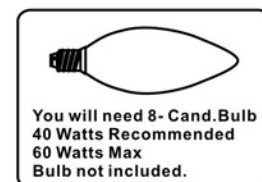
info@crystorama.com www.crystorama.com

**MODEL#:5628**

## ASSEMBLY AND DRESSING INSTRUCTIONS



All electrical components must be installed by a licensed electrician in accordance with the National Electric Code and the appropriate local electrical codes.



$$A = \text{drop} (10\text{mm} + 50\text{mm}) \times 88 \text{ sets}$$