

# CRYSTORAMA

95 Cantiague Rock Road, Westbury NY 11590  
 Ph: 516.931.9090 Fax: 516.931.1254  
[info@crystorama.com](mailto:info@crystorama.com) [www.crystorama.com](http://www.crystorama.com)

## MODEL#: 6107-SA ASSEMBLY AND DRESSING INSTRUCTIONS

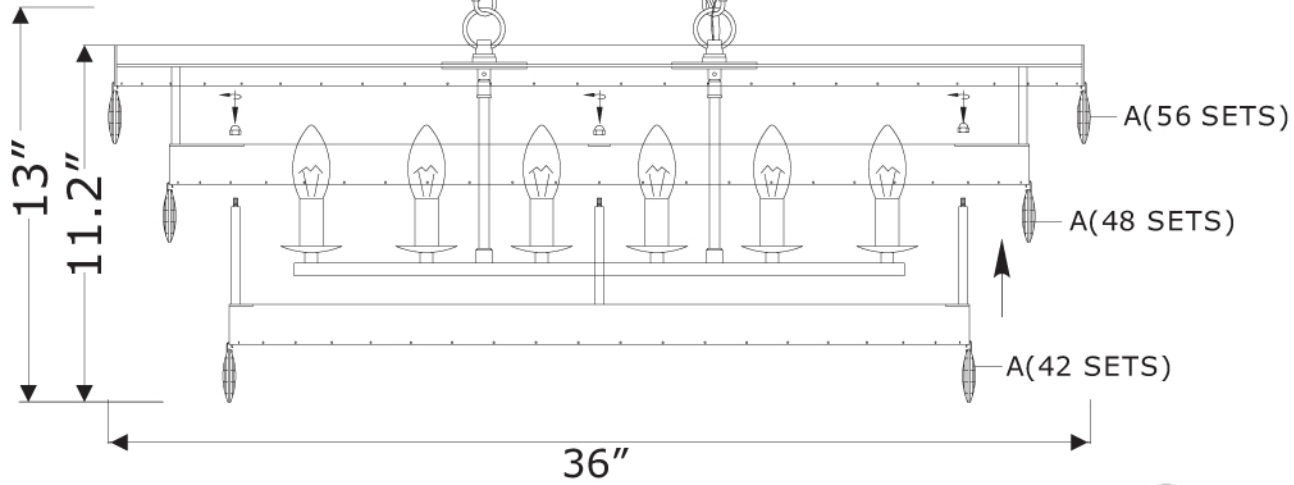
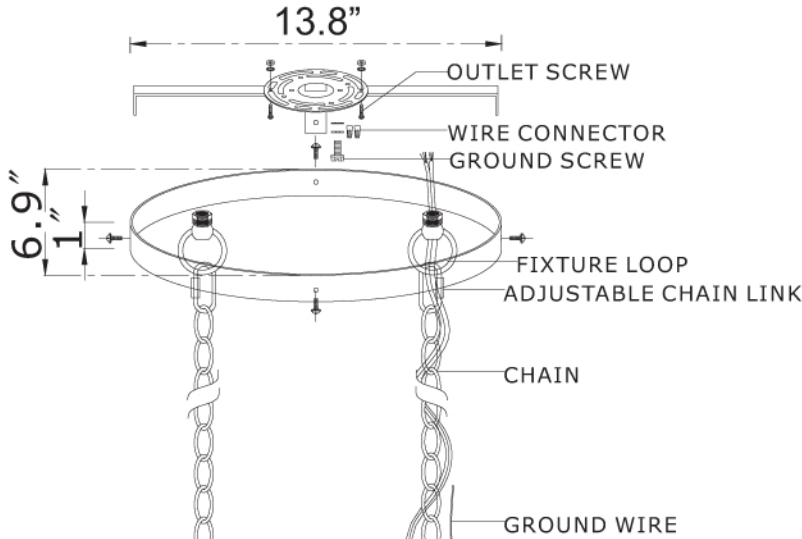



**WARNING**  
 Electrical Danger Turn Power off

All electrical components must be installed by a licensed electrician in accordance with the National Electric Code and the appropriate local electrical codes



You will need 6 Candelabra bulbs. 40 Watts recommended 60 Watts max. Bulb not included.



A=  (47mm x 33mm) x 146 SETS (+)(3 SPARES)

