

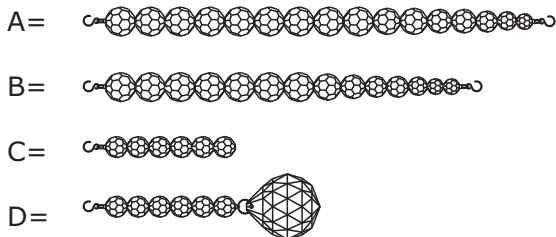
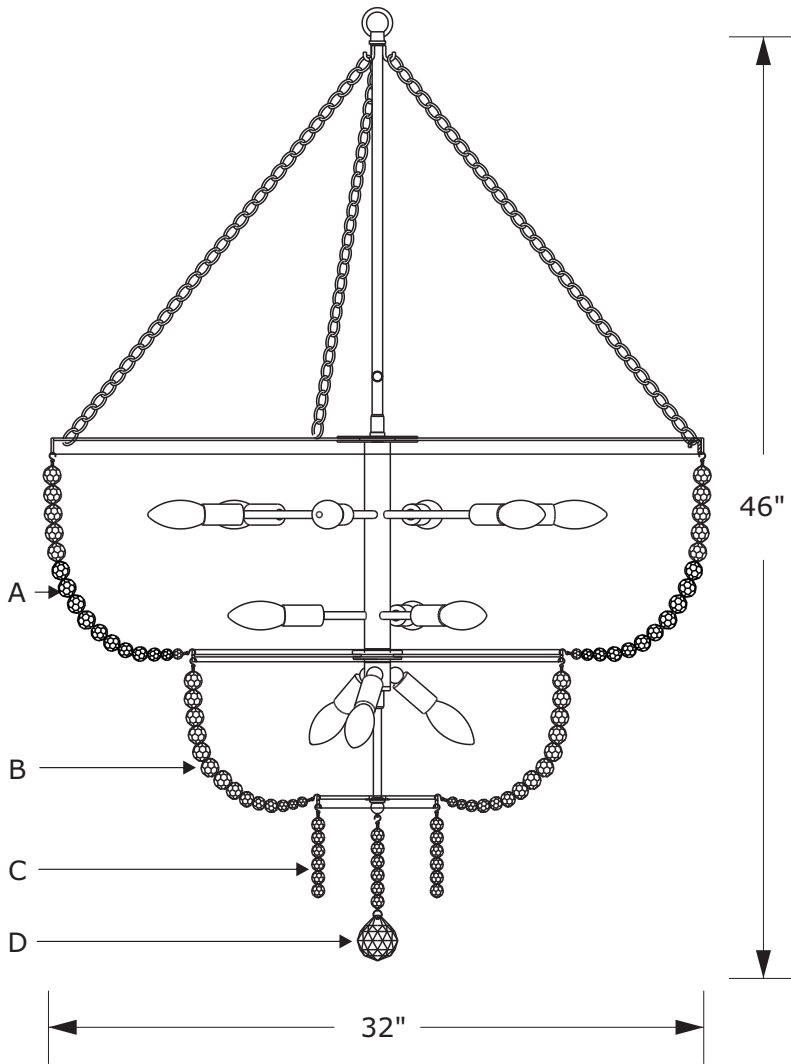
# CRYSTORAMA

LIGHTING THE WAY FOR SIXTY YEARS



Crystorama.com

## ASSEMBLY INSTRUCTION MODEL #612-GA



All electrical components must be installed by a licensed electrician in accordance with the National Electric Code and the appropriate local electrical codes.



You will need 12 -Candelabra Base Bulb

40 Watts Recommended 60 Watts Max.

USE LED BULBS FOR EXTENDED USE

### How to Install

1. Feed wires through top stem, fixture loop, chain, collar loop and canopy.
2. Attach the top stem onto the light cluster.
3. Attach the bottom stem assembly onto the light cluster.
4. There are three pieces of decorative chain. Each one will have one end attach to a hook on the top stem and the second end of chain attaches to the hook within the inside of the band ring.
5. Insert recommended bulb (not included).
6. Press the end of the steel strand to form a hook.
7. Dress the bead strands as illustrated.

### Bead Sets

- A. 72 Sets.  
(9)22mm + (2)20mm + (2)18mm + (1)16mm + (1)14mm+ (1)12mm
- B. 36 Sets.  
(7)22mm + (1)20mm + (1)18mm + (2)16mm + (1)14mm + (2)12mm
- C. 18 Sets.  
(6)16mm
- D. 1 Set.  
(6)16mm + (1)50mm

**WARNING:** This product can expose you to Lead, which is known to the State of California to cause cancer and/or birth defects or reproductive harm. For more information go to [www.P65Warnings.ca.gov](http://www.P65Warnings.ca.gov).

# CRYSTORAMA

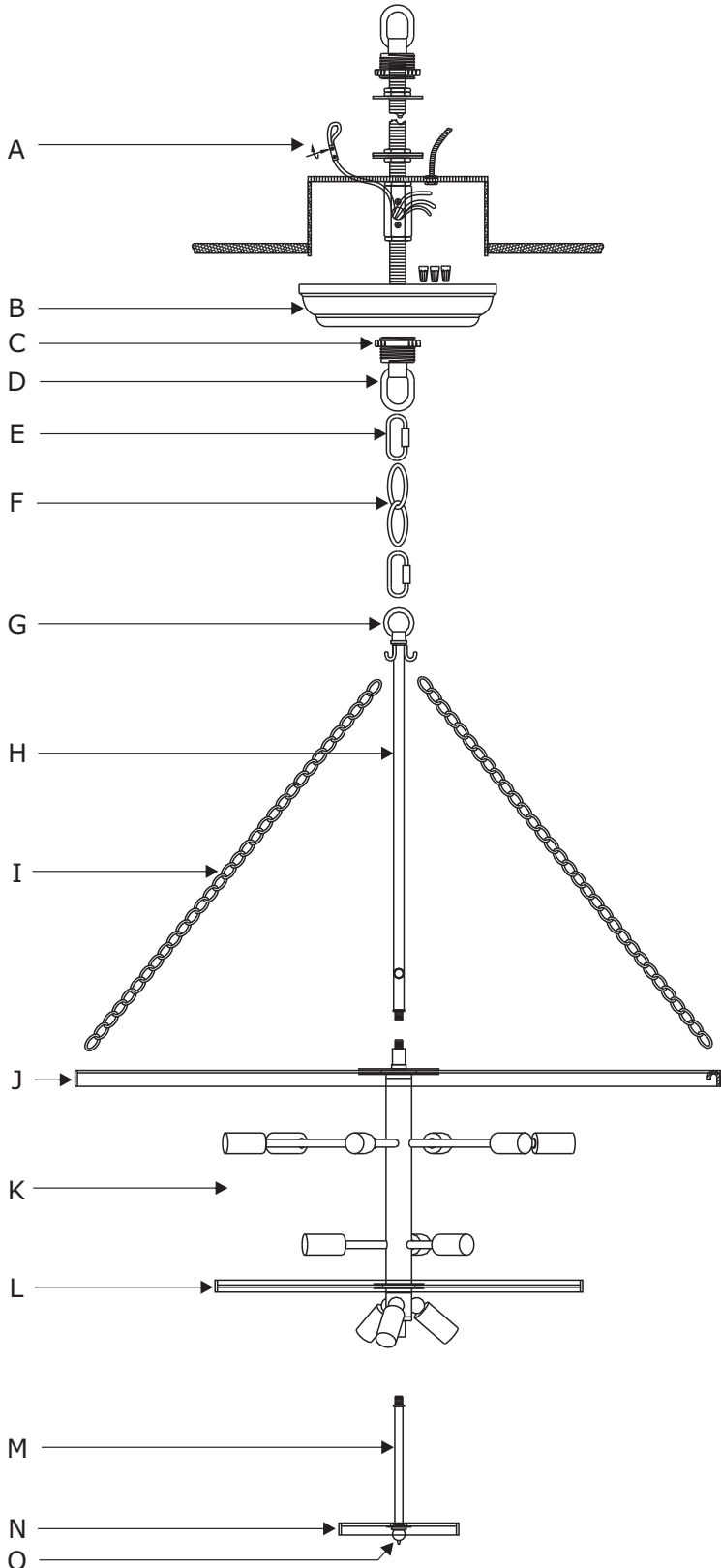
LIGHTING THE WAY FOR SIXTY YEARS



Crystorama.com

PART NUMBER MODEL #612-GA

## Part Number



- A. (1) - Mounting Hardware
- B. (1) - Canopy(W5.12",H0.98") #XRE608GACAN5IN
- C. (1) - Collar Ring
- D. (1) - Collar Loop
- E. (2) - Quick Link
- F. (1) - Hanging Chain(72",4mm) #XRE608GACHA4MM
- G. (1) - Fixture Loop
- H. (1) - Top Stem(19.69",12.5mm)
- I. (3) - Decorative Chain(each24.02",2.5mm) #XRE612GADECCHA24IN
- J. (1) - Top Band Ring
- K. (1) - Light Cluster
- L. (1) - Middle Band Ring
- M. (1) - Bottom Stem(5.91",9.3mm)
- N. (1) - Bottom Band Ring
- O. (1) - Finial #XRE610GAFIN