

# CRYSTORAMA

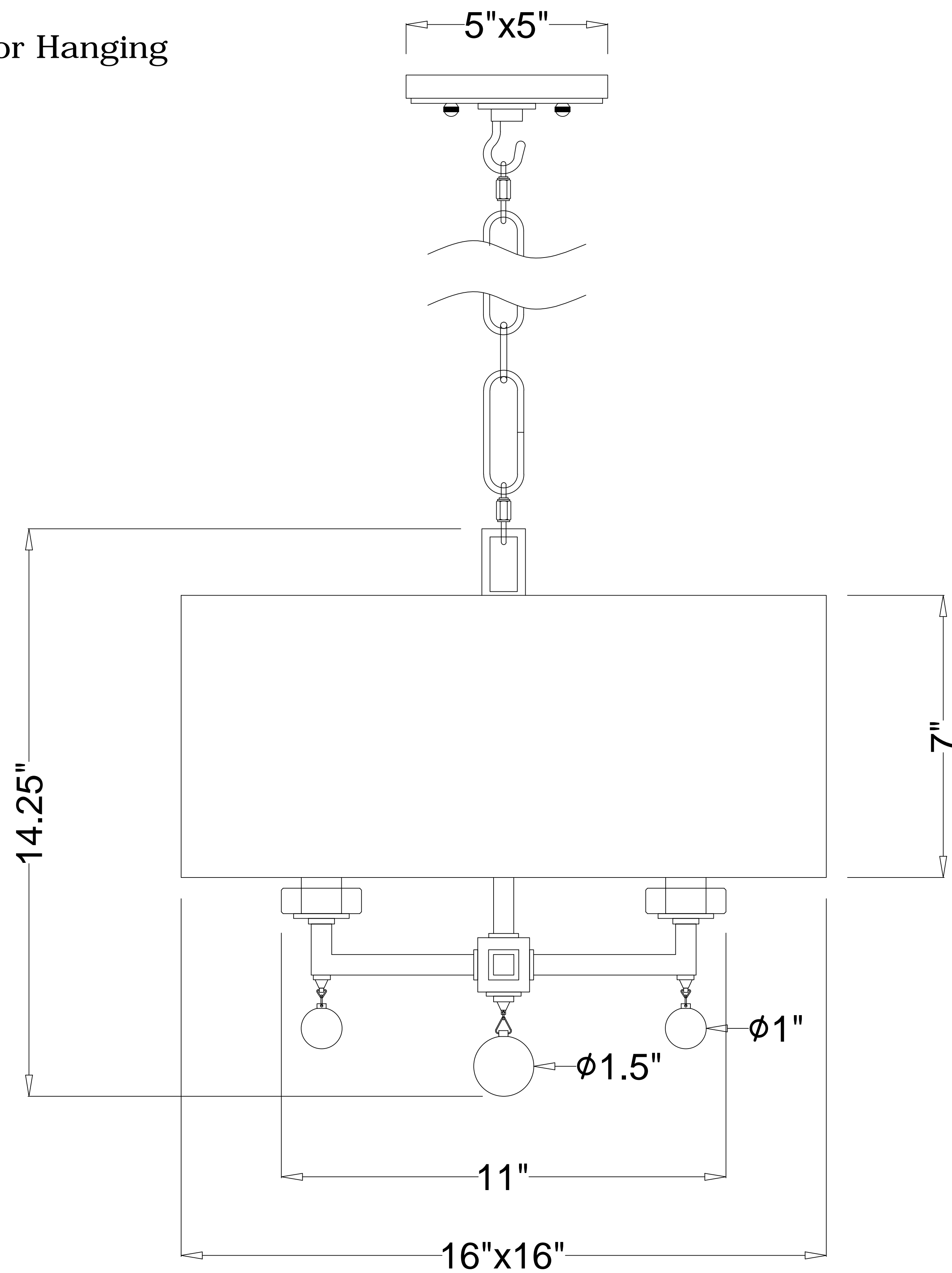


crystorama.com

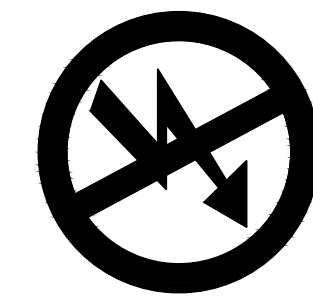
LIGHTING THE WAY FOR SIXTY YEARS

## ASSEMBLY INSTRUCTION MODEL #8105-AG

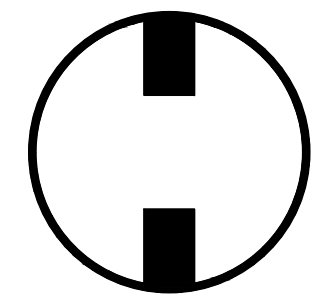
For Hanging



### WARNING

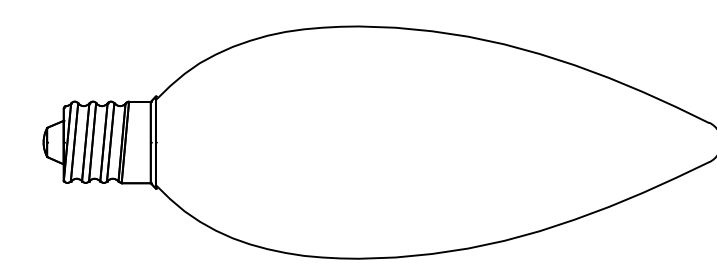
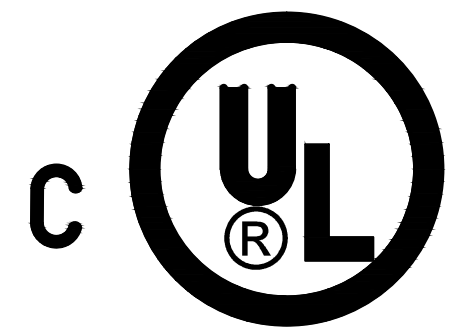


Electrical Danger



Turn Power Off

All electrical components must be installed by a licensed electrician in accordance with the National Electric Code and the appropriate local electrical codes.



You will need 4-Candelabra Bulb  
60 watts Max Bulb not included  
USE LED BULBS FOR EXTENDED USE

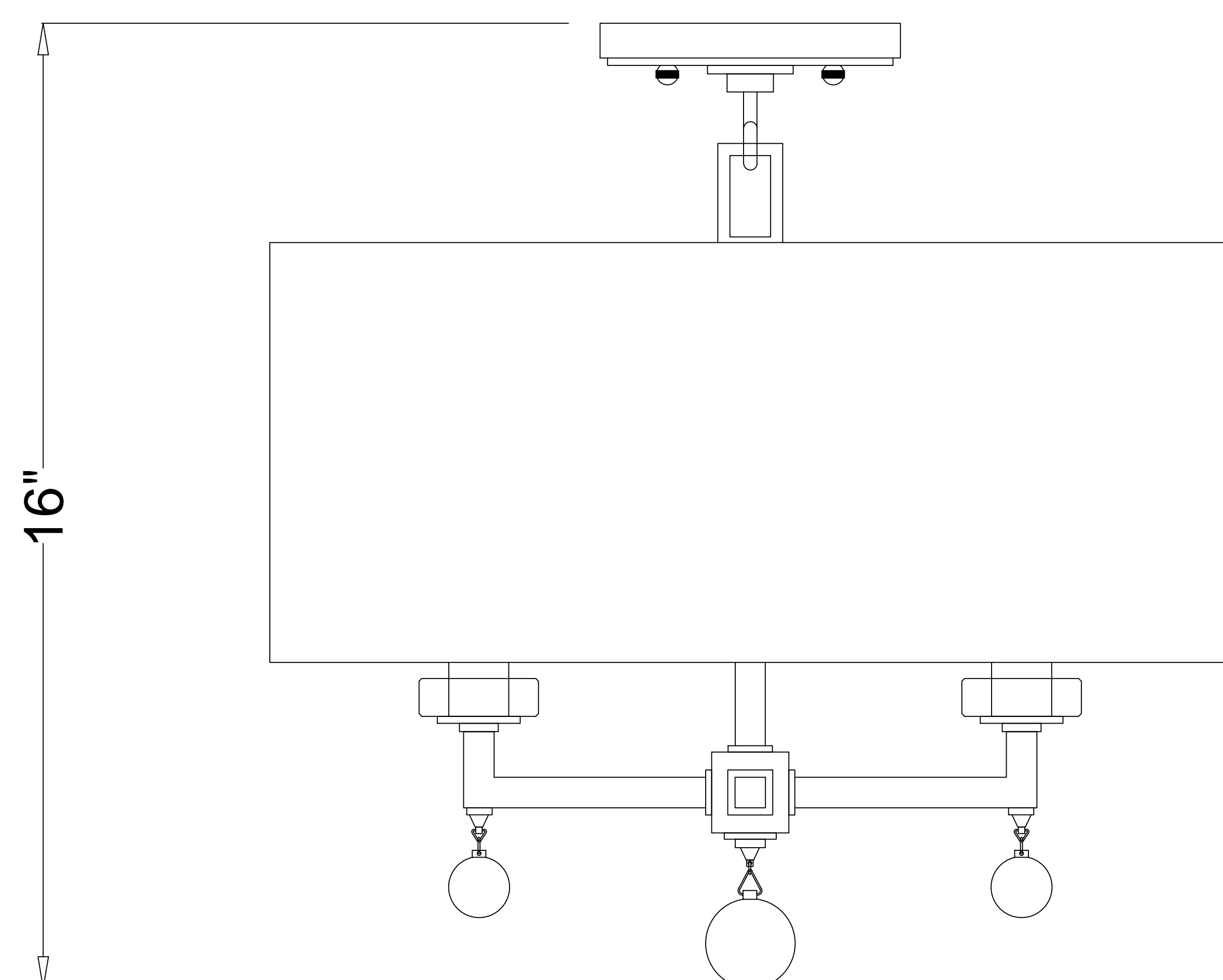
### How to Install

1. Insert the shade spoke in between top and bottom knurled nut.
2. Secure the shade by twisting the top knurled nut.
3. Slide the crystal bobèche over the socket.
4. Install the recommended bulbs into each socket.
5. Screw the crystal ball into the bottom frame.

### For Semi-flush

1. Hook the canopy onto the loop on top of the fixture.
2. Raise the fixture up to the ceiling and connect the wires.
3. Secure the canopy onto the outlet box by ball nuts.

For Ceiling



**WARNING:** This product can expose you to Lead, which is known to the State of California to cause cancer and/or birth defects or reproductive harm. For more information go to [www.P65Warnings.ca.gov](http://www.P65Warnings.ca.gov)

# CRYSTORAMA



crystorama.com

LIGHTING THE WAY FOR SIXTY YEARS

PART NUMBER MODEL #8105-AG

## Part Number

### Part Numbers

- A. Mounting Hardware
  - (1) Mounting Plate
  - (2) Mounting Screws
  - (3) Wire Nut
- B. (1) Canopy
  - XMO8105AGCAN5IN; 5"x5"x0.7"h
- C. (2) Ball nut
- D. (1) Chain
  - XMO8105AGCHA4MM; 72"L x  $\phi$ 4.0mm
- E. (1) Fixture Loop
- F. (2) Knurled Nut
- G. (1) Fabric Shade
  - XMO8105AGSHA16IN; 16"x16"x7"h
- H. (4) Socket
- I. (4) Crystal bobèche
- J. (4) Small crystal ball
- K. (1) Big crystal ball

