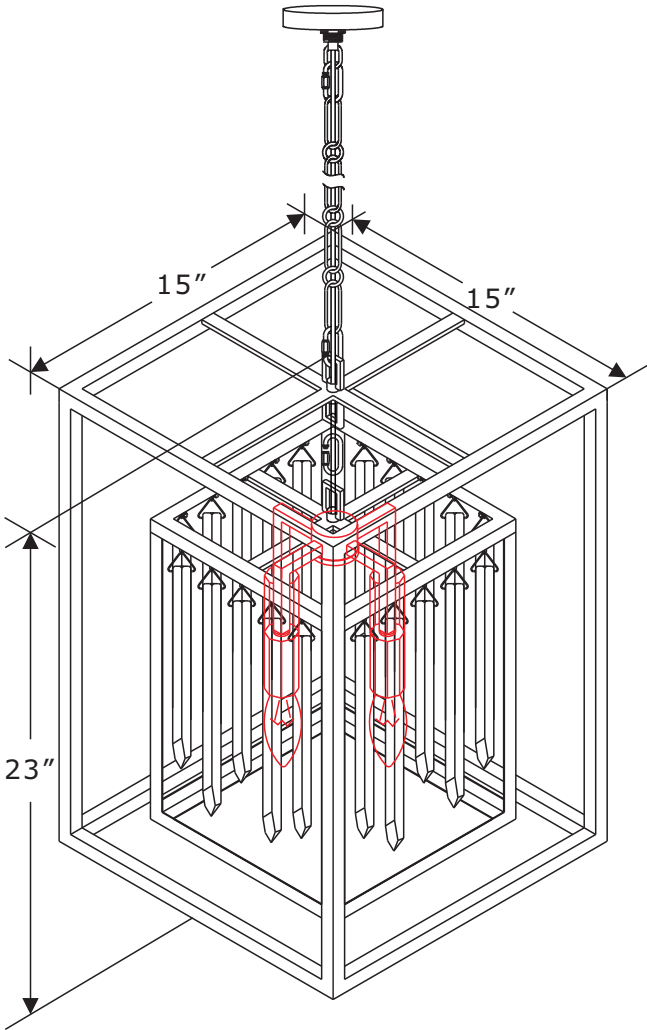


CRYSTORAMA

LIGHTING THE WAY FOR SIXTY YEARS

ASSEMBLY INSTRUCTION MODEL #8404-FB



All electrical components must be installed by a licensed electrician in accordance with the National Electric Code and the appropriate local electrical codes.

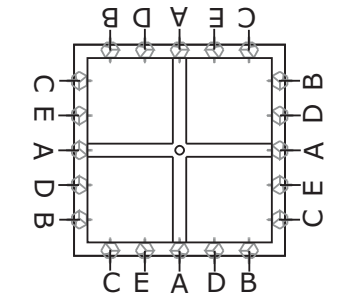


You will need 4-Candelabra Base Bulb
40 Watts Recommended 60 Watts Max.
USE LED BULBS FOR EXTENDED USE

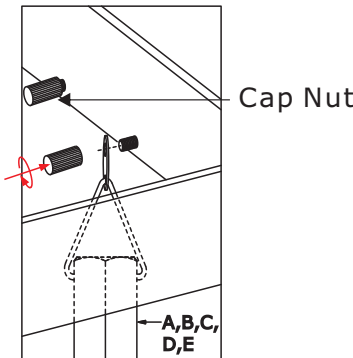
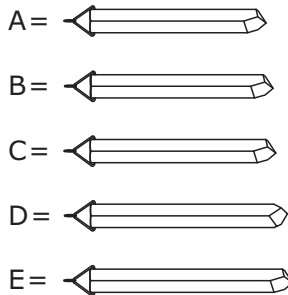
How to install

1. Attach the inner frame onto the outer frame by the quick link.
2. Insert recommended bulbs (not included).
3. Dress the crystal drops as illustrated.

DETAILED ILLUSTRATION



SUGGESTED DRESSING TOP VIEW



Crystal Sets

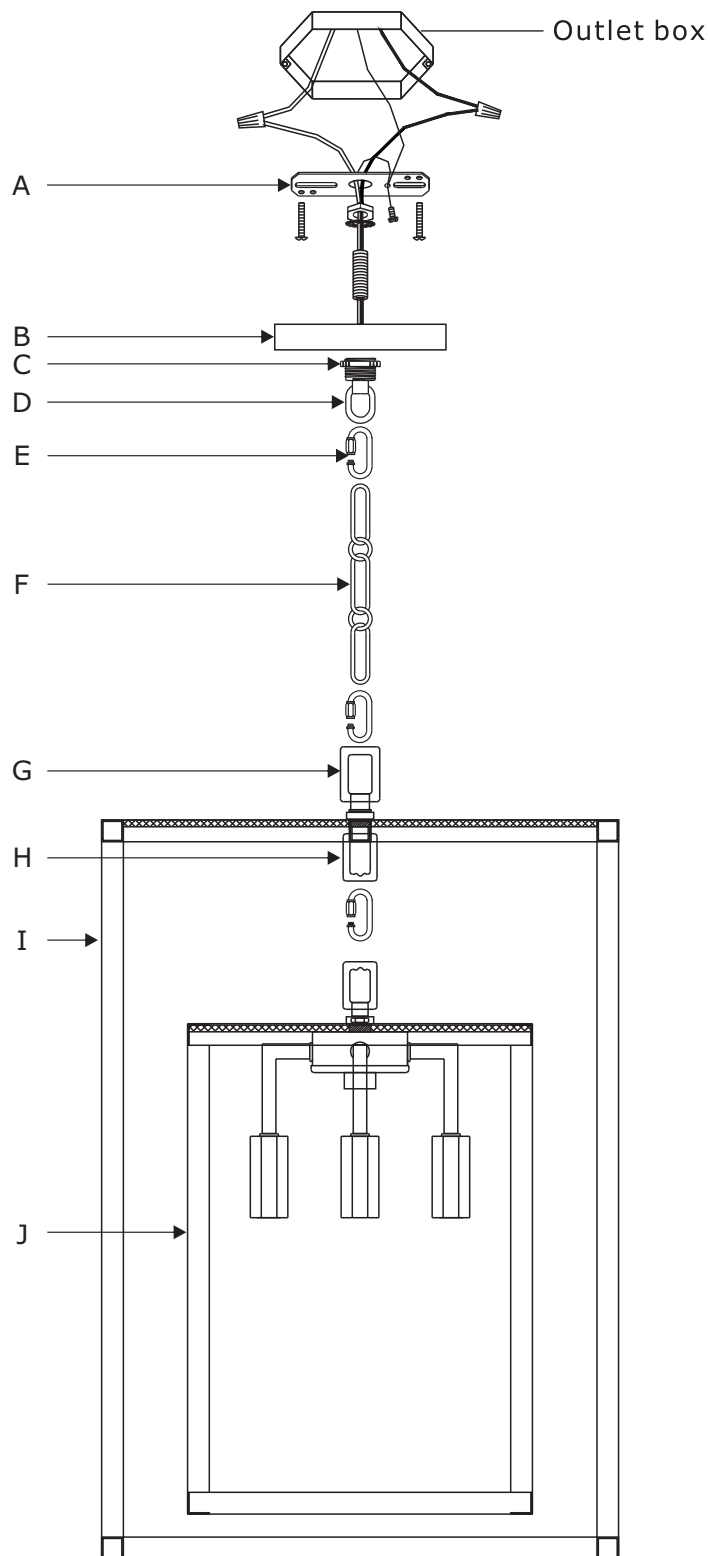
- A. 4 Pieces 219mm
- B. 4 Pieces 244mm
- C. 4 Pieces 256mm
- D. 4 Pieces 270mm
- E. 4 Pieces 280mm

WARNING: This product can expose you to Lead, which is known to the State of California to cause cancer and/or birth defects or reproductive harm. For more information go to www.P65Warnings.ca.gov.

CRYSTORAMA

LIGHTING THE WAY FOR SIXTY YEARS

PART NUMBER MODEL #8404-FB



Part Number

- A. (1) - Mounting Hardware
- B. (1) - Canopy(W4.72",H0.79") #XRE8404FBCAN4.72IN
- C. (1) - Collar Ring
- D. (1) - Collar Loop
- E. (3) - Quick Link
- F. (1) - Hanging Chain(72",4mm) #XRE8404FBCHA4MM
- G. (1) - Fixture Loop1
- H. (2) - Fixture Loop2
- I. (1) - Outer Frame
- J. (1) - Inner Frame