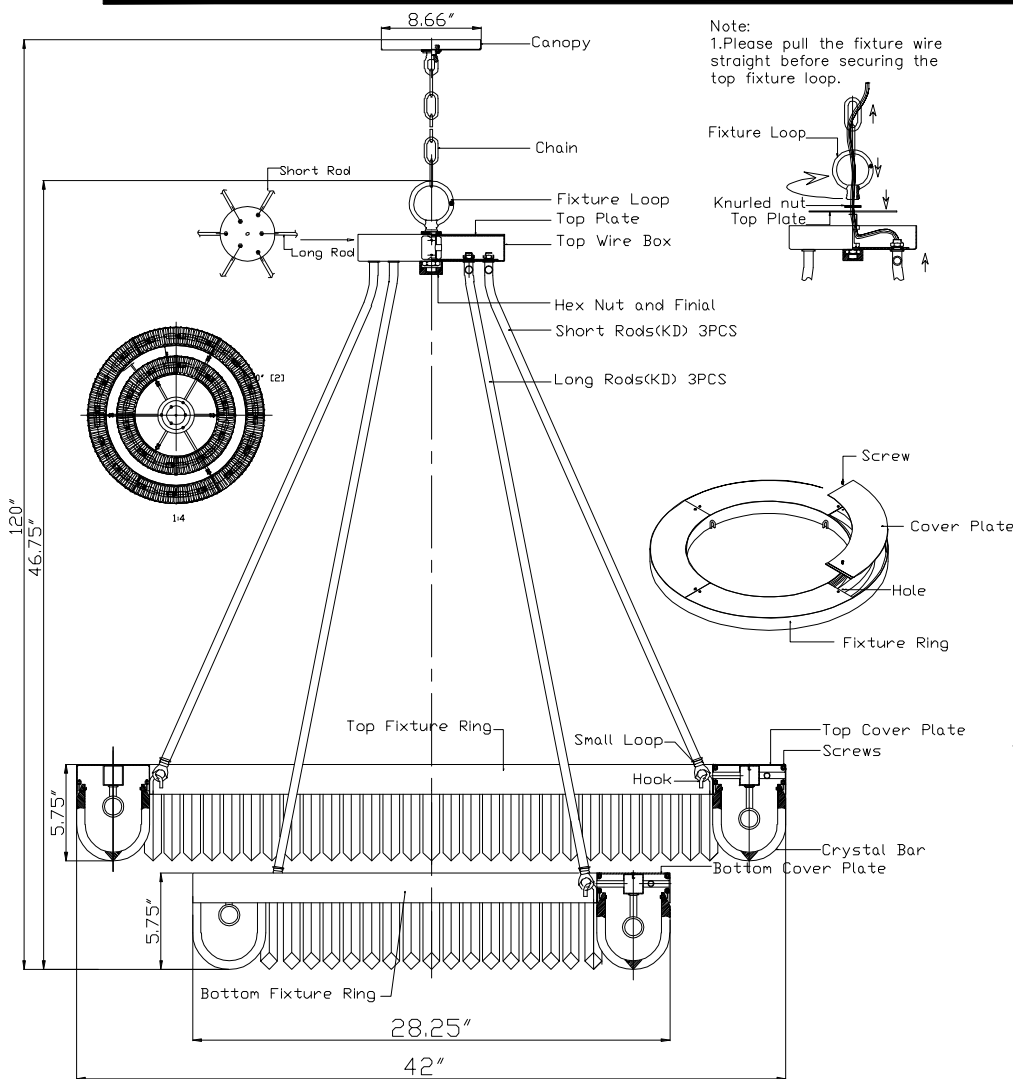


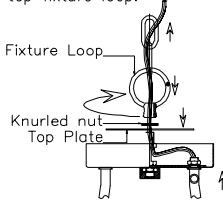
CRYSTORAMA

LIGHTING THE WAY FOR SIXTY YEARS

ASSEMBLY INSTRUCTION MODEL #ALI-B2026-CZ



Note:
1. Please pull the fixture wire straight before securing the top fixture loop.



All electrical components must be installed by a licensed electrician in accordance with the National Electric Code and the appropriate local electrical codes.



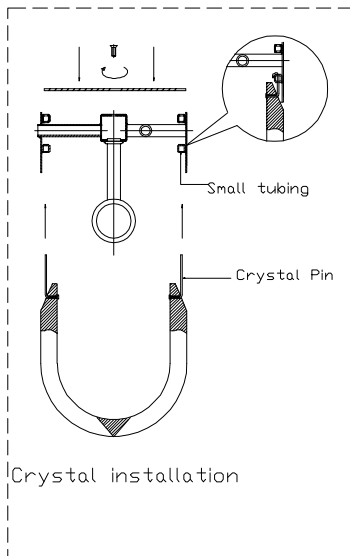
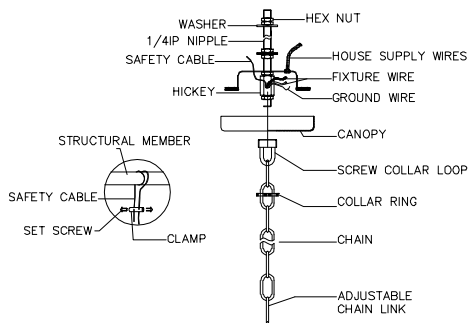
You will need 26 - Cand. Bulb
40 Watts Recommended
60 Watts Max

USE LED BULBS FOR EXTENDED USE
This fixture is DAMP rated

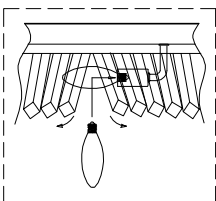
How to Install

1. Pass one of the fixture wire through one of long rods and attach it onto the top wire box and secure it with nuts.
2. Attach the remaining long rods onto the wire box and secure with nuts.
3. Pass the second fixture wire through one of short rods and attach it onto the top wire box and secure it with nuts.
4. Attach the remaining short rods onto the wire box and secure with nuts.
5. Pass both of fixture wires through the hickey inside the wire box and then through the top plate and loop.
6. Secure the top plate with loop.
7. Hook the long rods and short rods onto the top and bottom ring separately.
8. Attach one end of the 1/4 IPS Threaded pipe provided onto the ceiling joist and secure with hex nut. The other end should protrude through the outlet box as shown.
9. Assemble the screw collar loop, nipple, hex nut and hickey to the 1/4 IPS threaded pipe and adjust overall length to allow the collar ring to hold the canopy flush to ceiling.
10. Attach the chain to the fixture loop. Slide the screw collar ring over the upper end of the chain. through the canopy open the end link of chain and lift the fixture to attach to the screw collar loop and secure the link.
11. Lace the fixture wires, ground wires and safety cable through the chain and screw collar loop, exiting through the side of Hickey. Proceed with wire connection. Wrap safety cable around the ceiling joist and secure cable with the clamp and set screws provided as shown.
12. Take the cover plate on the fixture ring off by removing the screws.
13. Pass the crystal pin through the crystal bar and raise it up and let the pin pass through the small tubing inside the ring. Then bend the pin over to secure the crystal. See illustration.
14. Install the bulb and put the top cover plate back and secure it with screws.

FIGURE (1)



Crystal installation



Changing bulb

Gently spread two crystals bars apart, to access the bulb sockets.

WARNING: This product can expose you to Lead, which is known to the State of California to cause cancer and/or birth defects or reproductive harm. For more information go to www.P65Warnings.ca.gov

CRYSTORAMA

LIGHTING THE WAY FOR SIXTY YEARS

PART NUMBER MODEL #ALI-B2026-CZ

Part Number

Part Numbers

- A. (1)–Mounting hardware;
- B. (1)–Canopy; W8.66"XH0.75"; #XSU2026CZCAN8.66IN
- C. (1)–Chain; 72"; 5.5mm; #XSU2026CZCHA5.5MM
- D. (1)–Fixture Loop;
- E. (1)–Top Plate;
- F. (1)–Wire house;
- G. (1)–Hex Nut;
- H. (1)–Finial; #XSU2008CZFIN
- I. (1)–Top Fixture Ring;
- J. (3)–Short Rod; $\phi 0.5$ "XL34"; #XSU2026CZROD34IN
- K. (22)–Screw;
- L. (6)–Top Cover Plate; 4.25"X21";
- M. (208)–Crystal Pin;
- N. (16)–Socket;
- O. (4)–Bottom Cover Plate; 4.25"X19.75";
- P. (104)–Crystal Bar;
- Q. (3)–Long Rod; $\phi 0.5$ "XL38"; #XSU2026CZROD38IN
- R. (1)–Bottom Fixture Ring;

