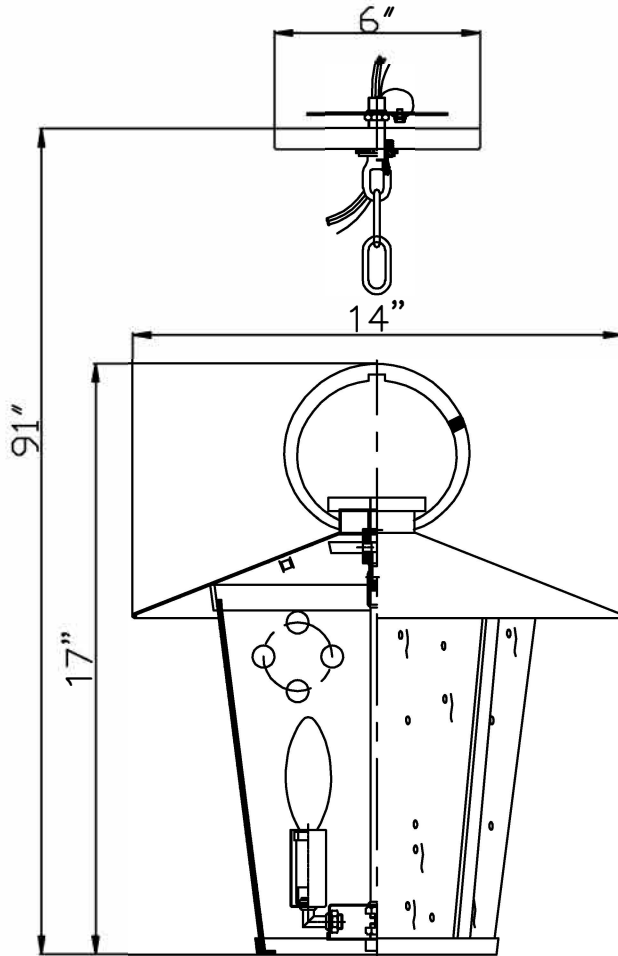


# CRYSTORAMA

LIGHTING THE WAY FOR SIXTY YEARS

ASSEMBLY INSTRUCTION MODEL #AND-9204-CL-MK



All electrical components must be installed by a licensed electrician in accordance with the National Electric Code and the appropriate local electrical codes.



You will need 4 - Cand.Bulb  
40 Watts Recommended

60 Watts Max

USE LED BULBS FOR EXTENDED USE  
California T24 JAB-2016 Qualified: Satco  
(S9612); 10.5 watt LED Medium Base  
recommended. Bulb not included  
This fixture is WET rated

#### How to install

1. To install glass panels, separate the Bottom Cage and the Top Cage, by removing the Decorative Nut.
2. Bend glass Clip and slide Glass into the Bottom Cage.
3. Bend glass Clip to secure Glass.
4. Install the bulb to the socket.
5. Connect the Bottom Cage and the Top Cage, by screwing in Decorative Nut to secure cage.
6. The canopy of the fixture can now be mounted to the ceiling

#### Replacement Glass Installation:

1. Follow instructions # 1 through # 3 above to install new glass. Complete by connecting the Bottom Cage and the Top Cage. by screwing in Decorative Nut to secure cage.

#### Bulb replacement: (Bulb not included)

1. Separate the Bottom Cage and the Top Cage, by removing Decorative Nut.
2. Install the bulb into the socket
3. Complete by connecting the Bottom Cage and the Top Cage by screwing in Decorative Nut to secure cage.

After securing fixture to the wall it is recommended that the gap between the wall and the backplate be sealed on the top and both sides, with a good quality waterproof caulk or silicone sealant (NOT INCLUDED)



**WARNING:** This product can expose you to Lead, which is known to the State of California to cause cancer and/or birth defects or reproductive harm. For more information go to [www.P65Warnings.ca.gov](http://www.P65Warnings.ca.gov)

# CRYSTORAMA

LIGHTING THE WAY FOR SIXTY YEARS

ASSEMBLY INSTRUCTION MODEL #AND-9204-CL-MK

## Part Number

### Part Numbers

- A. (1)–Mounting hardware;
- B. (1)–Canopy; W6”XH0.5”; XSU9203MKCAN6IN
- C. (1)–Chain; 72”;  $\phi$ 4.0mm; XSU9203MKCHA4MM
- D. (1)–Loop;
- E. (1)–Top Cage;
- F. (4)–Glass; (5”+7”)X10.25”
- G. (4)–Decorative Nut; XSU9201MKDECNUT
- H. (8)–Clip;
- I. (4)–Socket;
- J. (1)–Bottom Cage;

