

CRYSTORAMA

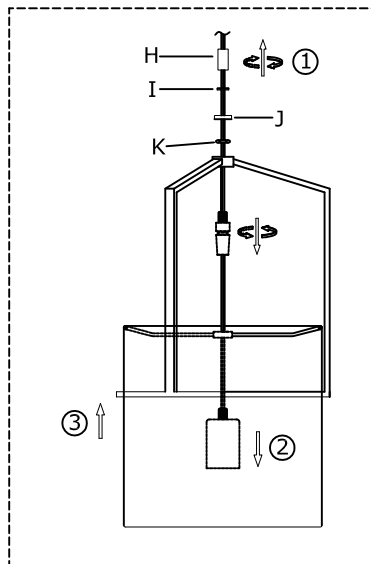
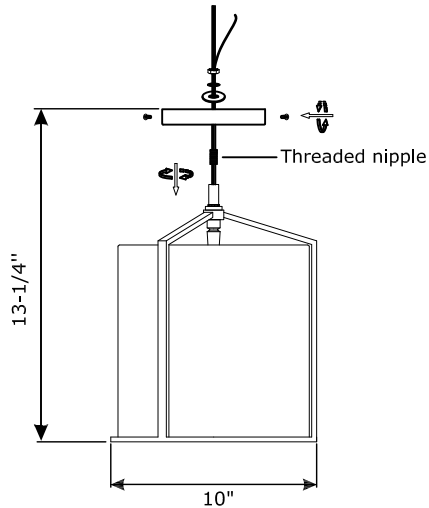
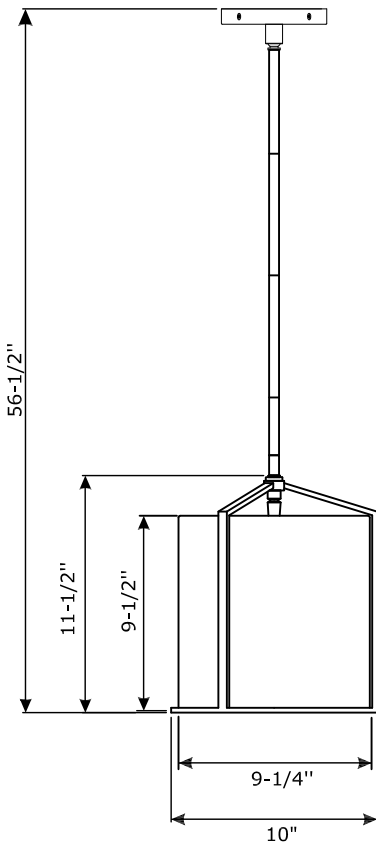
LIGHTING THE WAY FOR SIXTY YEARS

ASSEMBLY INSTRUCTION MODEL#CAR-9201-BK

Drawing (1)

For hanging

For ceiling

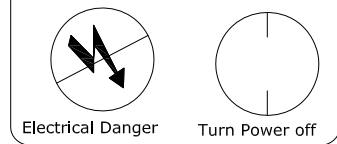


Drawing (3)

Shade replacement:

1. Remove the Spacer, knurled nut, check ring and hex nut, in that order, from the top of frame.
2. Take the shade and light cluster out of the metal frame.
3. Put the new shade in the frame and pass the threaded nipple on top of the light cluster through the hole on the top of frame. Secure with hex nut.
4. Place the check ring over the hex nut and secure it with the knurled nut and Spacer.

WARNING:



All electrical components must be installed by a licensed electrician in accordance with the National Electric Code and the appropriate local electrical codes.



You will need 1- Medium Base Bulb

60 Watts Recommended 100 Watts Max.
USE LED BULBS FOR EXTENDED USE

THIS FIXTURE IS DRY RATED

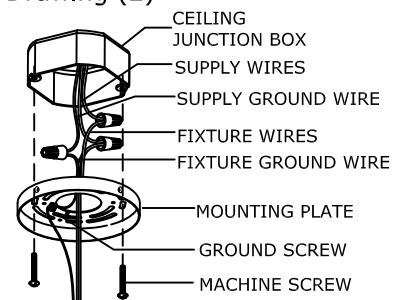
How to install for hanging:

1. Determine the desired hanging height and choose the correct length of rod.
2. Feed fixture wires through the rod and canopy. Connect the rods together and then screw the canopy onto the top of rods.
3. The canopy of the fixture can now be mounted to the ceiling by following instruction **Drawing 2**.
4. Install the Bulb into the Socket.

How to install for Ceiling

1. Remove the swivel from the canopy.
2. Screw the threaded nipple from one of rods to the top of frame.
3. Place the canopy over the top of the threaded nipple. Secure it with the hex nut.
4. The canopy of the fixture can now be mounted to the ceiling by following instruction **Drawing 2**.

Drawing (2)



WARNING: This product can expose you to Lead which is known to the state of California to cause cancer and/or birth defects or reproductive harm. For more information go to www.P65Warnings.ca.gov

CRYSTORAMA

LIGHTING THE WAY FOR SIXTY YEARS

ASSEMBLY INSTRUCTION MODEL#CAR-9201-BK

Part Number

Part Numbers

- A. (1)-Mounting hardware
- B. (1)-Canopy W5"x H3/4" (XFW9201BKCAN5IN)
- C. (3)- Canopy Screw
- D. (3)-Long Rod W1/2"x H12" (XFW9201BKROD12IN)
- E. (1)-Short Rod W1/2"x H6" (XFW9201BKROD6IN)
- F. (1)-Metal Frame
- G. (1)-Shade W9-1/4"x H9-1/2"(XFW9201BKSHA9.25IN)
- H. (1)-Spacer
- I. (1)-Knurled nut
- J. (1)-Check ring
- K. (1)-Hex nut

