

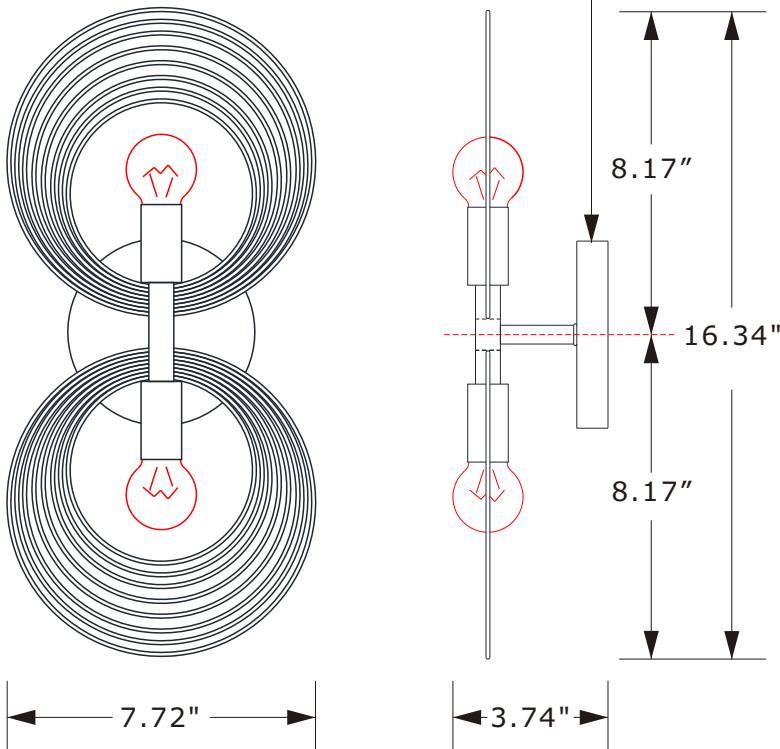
# CRYSTORAMA

LIGHTING THE WAY FOR SIXTY YEARS

## ASSEMBLY INSTRUCTION MODEL #DOR-B7722-FB



Backplate(W4.72",E0.79")



All electrical components must be installed by a licensed electrician in accordance with the National Electric Code and the appropriate local electrical codes.



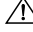
You will need 2-Candelabra Base Bulb  
40 Watts Recommended 60 Watts Max.

USE LED BULBS FOR EXTENDED USE

This fixture is DAMP rated

### How to Install

1. Insert recommended bulb (not included).
2. Install the backplate onto the outlet box, by securing it with the two side screws.

 **WARNING:** This product can expose you to Lead, which is known to the State of California to cause cancer and/or birth defects or reproductive harm. For more information go to [www.P65Warnings.ca.gov](http://www.P65Warnings.ca.gov).

# CRYSTORAMA

LIGHTING THE WAY FOR SIXTY YEARS

PART NUMBER MODEL #DOR-B7722-FB

## Part Number

- A. (1) - Mounting Hardware
- B. (1) - Backplate(W4.72",E0.79") #XRE7722FBBKP4.72IN

