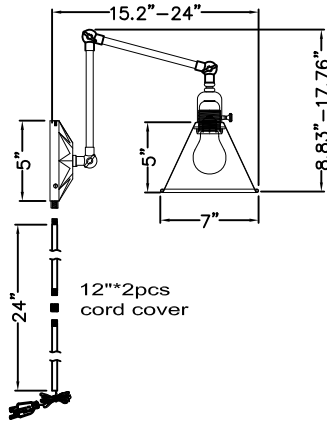


CRYSTORAMA

95 Cantiague Rock Road, Westbury NY 11590 | P:800.888.4470 | F:516.931.1254 | info@crystorama.com | CRYSTORAMA.com

MODEL#: MOR-8801-PN ASSEMBLY AND DRESSING INSTRUCTIONS



Showing overall
W13"
H7"

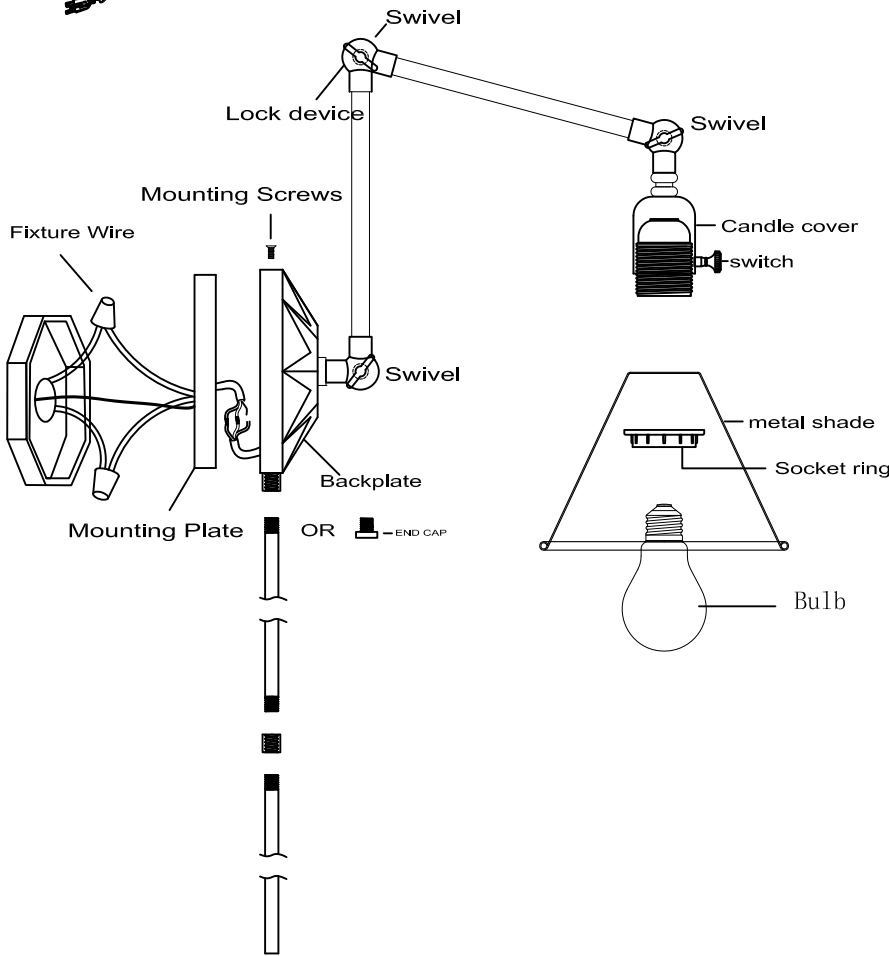
WARNING

Electrical Danger Turn Power Off

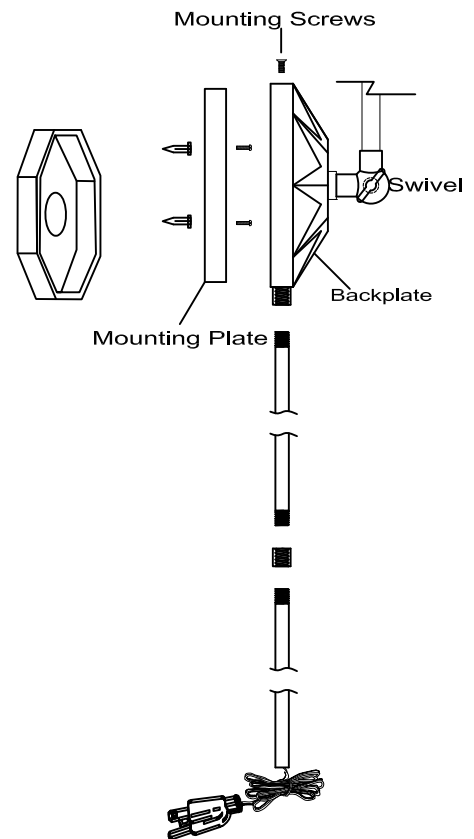
IMPORTANT

TURN OFF THE POWER AT THE MAIN FUSE OR CIRCUIT BREAKER BOX BEFORE STARTING INSTALLATION

You will need 1-MED.BULBS
60 watts Max
Bulbs not included
USE LED BULBS FOR EXTENDED USE



Hard-wired



Portable