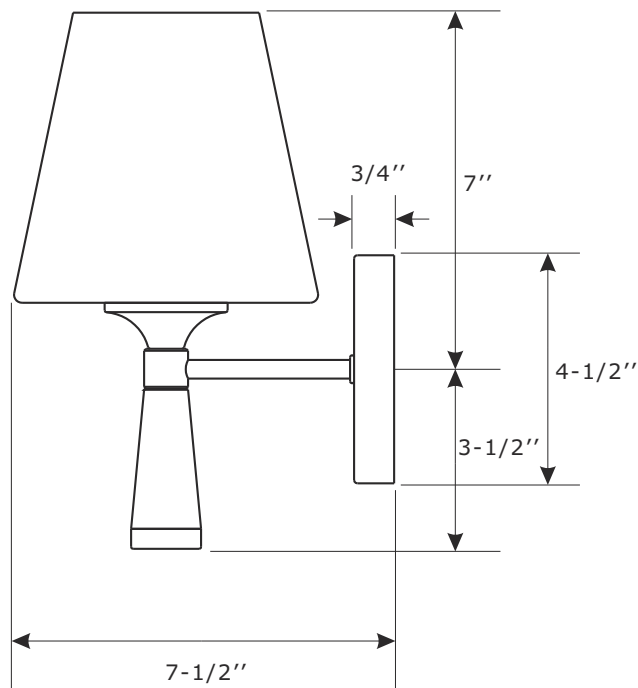
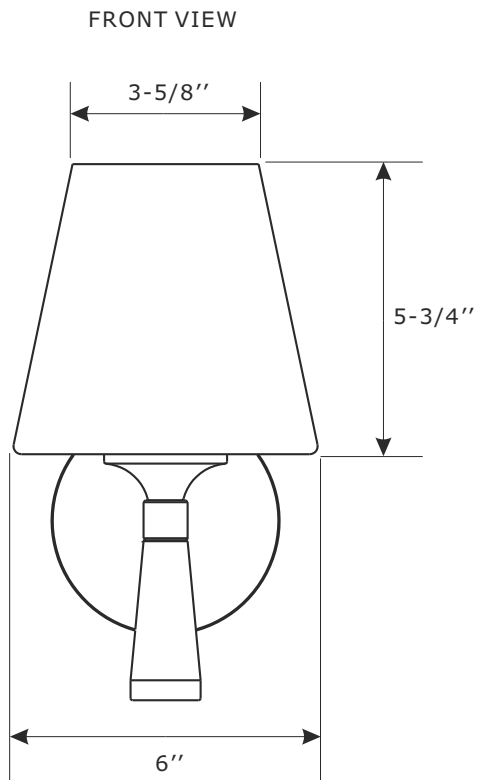


# CRYSTORAMA

LIGHTING THE WAY FOR SIXTY YEARS

ASSEMBLY INSTRUCTION MODEL#RAM-A3401-VG



SIDE VIEW

## WARNING:



Electrical Danger



Turn Power off

All electrical components must be installed by a licensed electrician in accordance with the National Electric Code and the appropriate local electrical codes.



You will need 1- Medium Base Bulb  
60 Watts Recommended 100 Watts Max.  
USE LED BULBS FOR EXTENDED USE

## How to install

1. Install the mounting plate to the outlet box using two outlet box screws.
2. Install backplate onto the mounting plate, and secure with the screws.
3. Thread the nipple into the bottom of socket. Slide the crystal over the nipple, then secure it with the finial.
4. Place the glass shade over the socket, and secure with the socket ring.
5. Install the bulb(not included) into socket.

# CRYSTORAMA

LIGHTING THE WAY FOR SIXTY YEARS

ASSEMBLY INSTRUCTION MODEL#RAM-A3401-VG

## Part Number

### Part Numbers

- A. (1)-Mounting hardware
- B. (1)-Mounting plate
- C. (1)-Backplate L4-1/2"xW4-1/2"xD3/4" #XRF3401VGBKP4.5IN
- D. (2)-Screw
- E. (1)-Finial #XRF3401VGFIN
- F. (1)-Crystal #XRF3401BOTCRY
- G. (1)-Nipple
- H. (1)-Socket
- I. (1)-Glass shade #XRF3401SHA6IN
- J. (1)-Socket ring

