

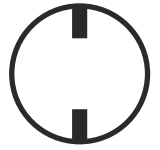
CRYSTORAMA

1958

95 Cantiague Rock Road, Westbury, NY 11590 • toll free: 1.800.888.4470 fax: 516.931.1254 • info@crystorama.com • www.crystorama.com

MODEL#: VER-242-AG ASSEMBLY AND DRESSING INSTRUCTIONS

WARNING:

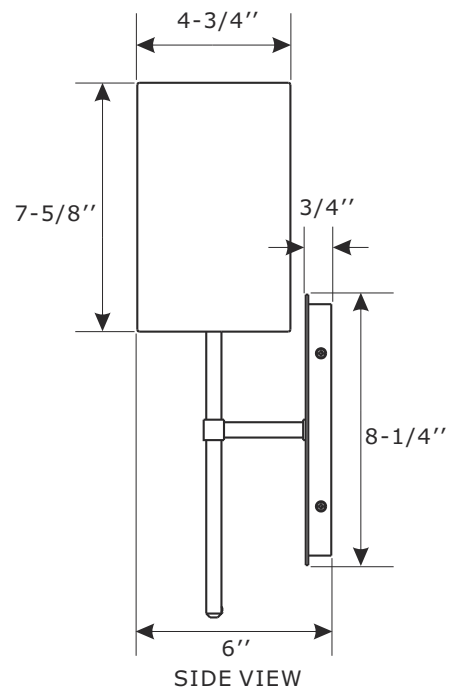
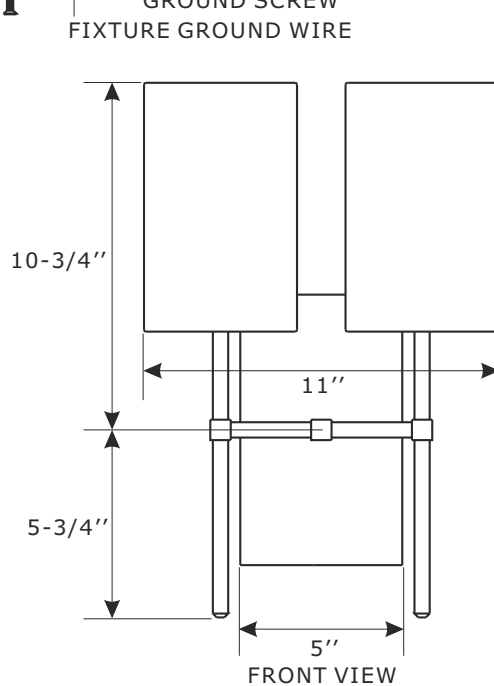
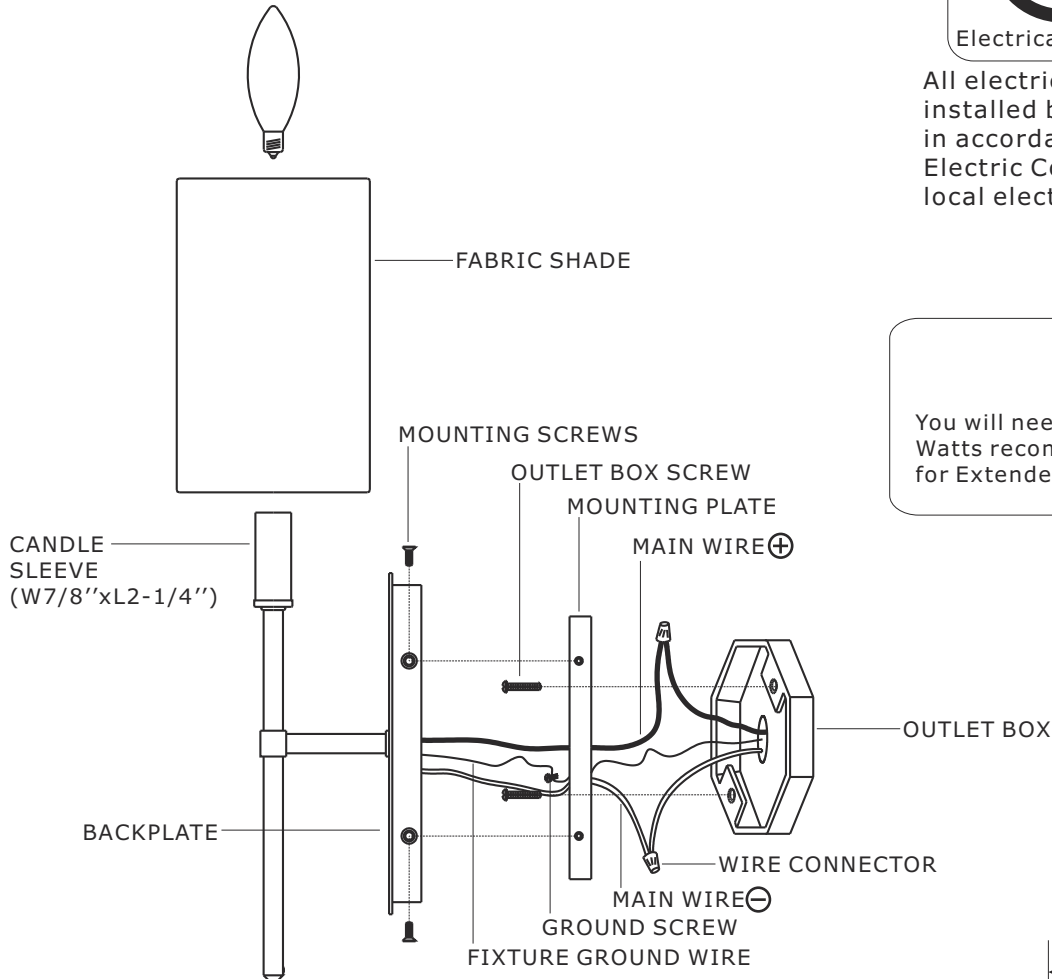


Electrical Danger Turn Power off

All electrical components must be installed by a licensed electrician in accordance with the National Electric Code and the appropriate local electrical codes.



You will need 2 Candelabra bulbs 60 Watts recommended, Use LED bulbs for Extended use. Bulb not included



2018-01