

Model Number: T009TM4, T019TM4

### Tools:



Adjustable Wrench Plumbers Putty Teflon Tape Rags

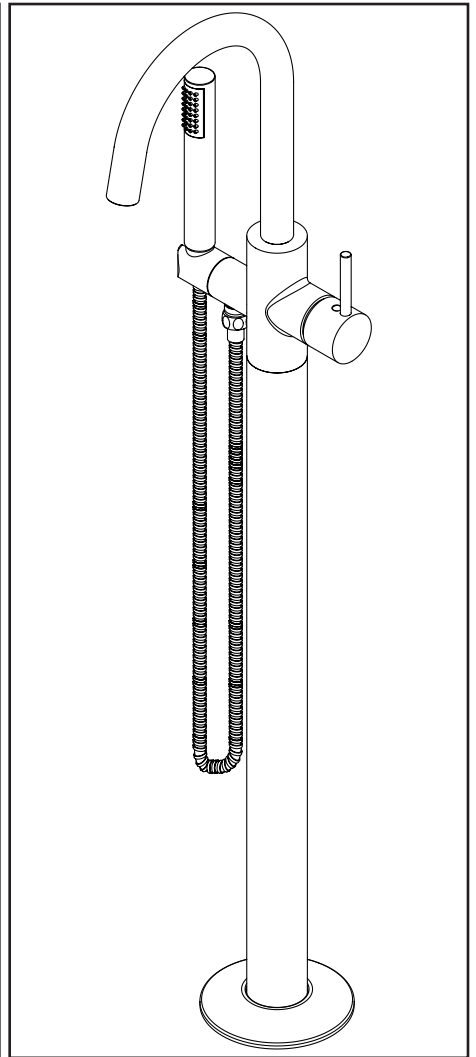
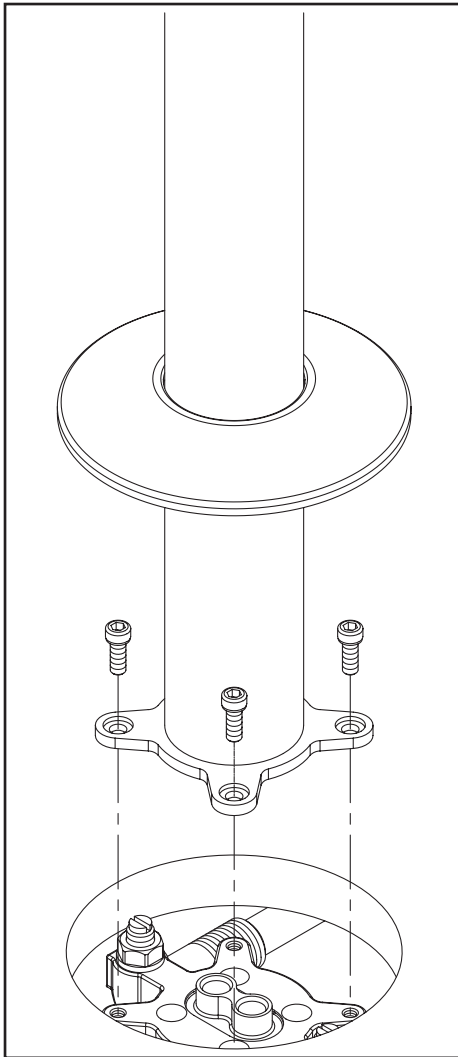
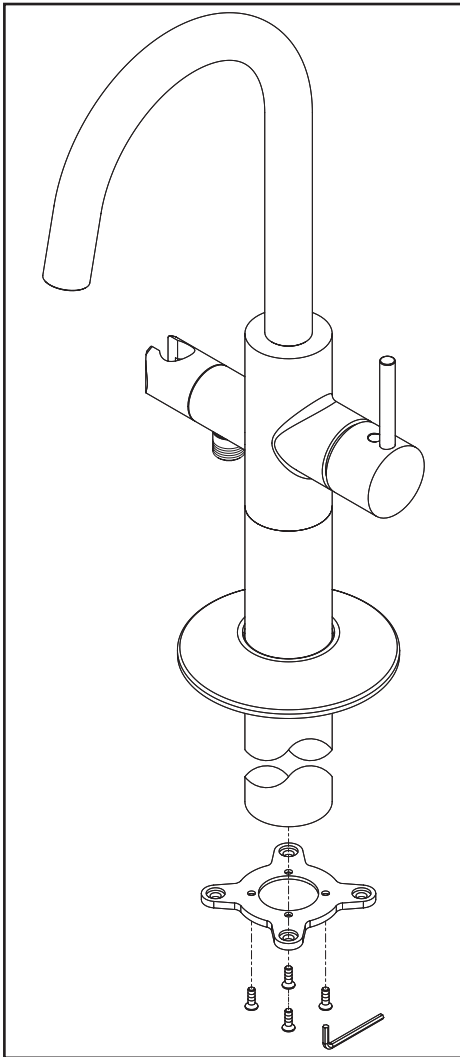
### Warnings and Notes:

Check with local plumbing code requirements before installation.  
This product should be installed by a local listed plumber.

**Do not use plumbers putty on threads.**

### Installation Steps:

FreeStanding Tub Filler



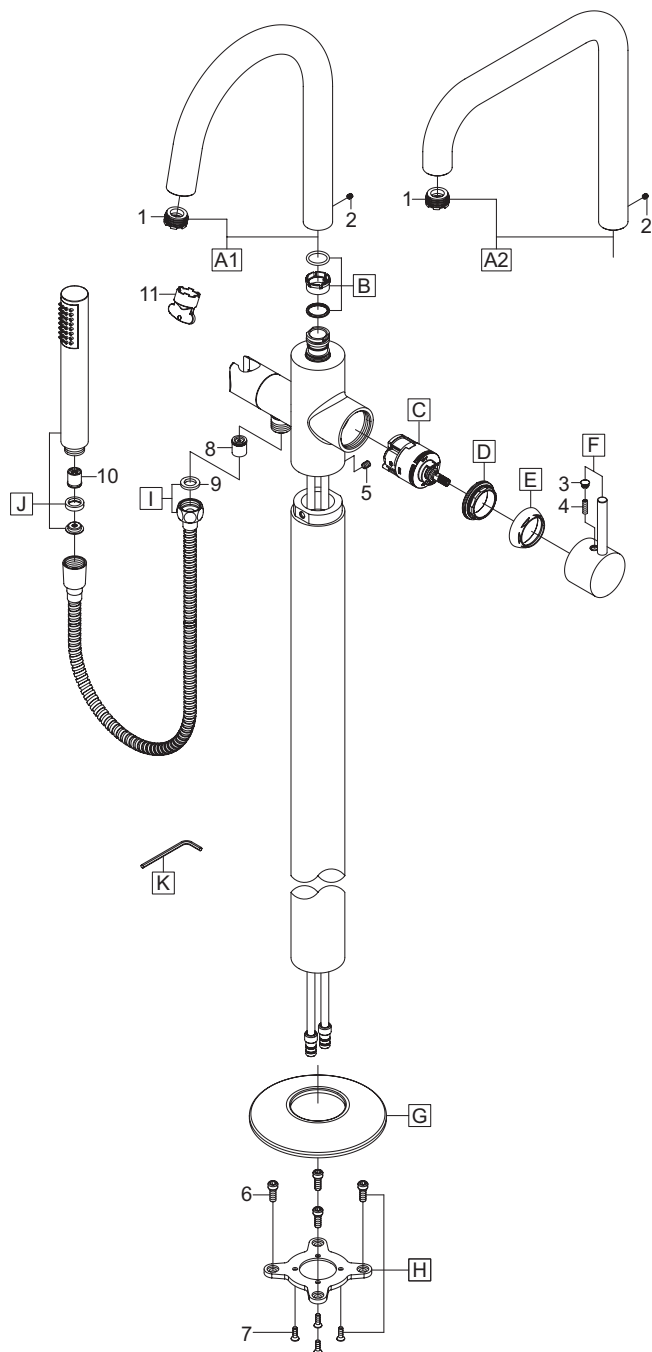
(1) Slide flange through the faucet body from the bottom of the faucet. Tighten the four screws to secure mounting bracket to the bottom of the faucet body by using a 3/32" Allen wrench.

(2) Carefully align the two inlet copper tubes into the two outlet holes of rough-in valve then tighten the four bolts to secure the faucet body to the rough-in valve by using a 3/16" Allen wrench.

(3) Turn on both sides of the inlet stop assembly on the rough-in valve and turn on the handle to flush the system and check for any leaks. Use silicone to caulk around the flange after checking for leaks.

Model Number: T009TM4, T019TM4

\* Note: Please specify finish/color when ordering.



	ITEM #	DESCRIPTION
A1	X-2400022*	Gooseneck Spout
A2	X-2400023*	90 Degree Spout
B	X-4200190	Spout Repair Kit
C	X-3400008	Ceramic Cartridge & Spool
D	X-4400080	Retainer Nut
E	X-4200001*	Retainer Cap
F	X-1400045*	Lever Handle
G	X-4400117*	Flange
H	X-5400011	Mounting Bracket With Screws
I	OP-460027*	60" SST Hose
J	X-4900112*	1.75 GPM Handheld Showerhead
K	X-4900024	3/32" Allen Wrench
1	X-4400102	Flow Streamer
2	X-4400024	3/32" Allen Screw
3	X-4900044*	Hole Cover
4	X-4900080	3/32" Allen Screw
5	X-4400018	1/8" Allen Screw
6	X-4400118	Bolts
7	X-4400119	Screws
8	X-4400120	15 mm Check Valve
9	OP-460025	Washer
10	X-4400121	14 mm Check Valve
11	X-4400071	Flow Streamer Tool