



Installation Instructions
Instructions d'Installation
Instrucciones para instalación

Hood Liner
Hotte d'armoire
Campana de gabinete

DHD**U790LS/DA

Contents

Before You Begin **3**

Important Notes	3
Customer Service	3

Important Safety Instructions **4**

Installation Requirements **7**

Electrical requirements	7
Venting requirements	8
Venting methods	8
Ducting options	9
What is in the box	10
Tools and parts	10
Dimensions and clearances	11

Installation **12**

Installation instructions	12
Stainless steel hood spacer installation	12
Prepare the location	13
Install hood into hood cabinet	13
Electrical connection	15
Completing the installation	16
Attach Dacor badge	17

Before You Begin

Important Notes

Installer

- In the interest of safety and to minimize problems, read this manual thoroughly before starting the installation.
- Leave this manual with the customer.
- Show the owner how to shut off power to the hood.

Customer

Keep this manual for personal and professional reference.

Customer Service

To resolve questions and installation issues, contact your Dacor dealer or Dacor customer service. Before calling, have the hood's model and serial number available. (See the data label inside the hood above the filters on the chassis' rear wall).

All specifications are subject to change without notice. Dacor assumes no liability for such changes.
©2022 Dacor, all rights reserved.

Important Safety Instructions

**APPROVED FOR RESIDENTIAL APPLIANCES
FOR RESIDENTIAL USE ONLY
READ AND SAVE THESE INSTRUCTIONS**

**PLEASE READ ENTIRE INSTALLATION GUIDE BEFORE PROCEEDING.
INSTALLATION MUST COMPLY WITH ALL LOCAL CODES.**

IMPORTANT: Save these instructions for the local electrical inspector's use.

INSTALLER: Please leave these instructions with this unit for the owner.

OWNER: Please retain these instructions for future reference.

Symbols used in this manual

▲ WARNING

Hazards or unsafe practices that may result in severe personal injury or death.

▲ WARNING

Turn off power circuit at service panel and lock out panel before wiring this appliance.

⚠ CAUTION

Hazards or unsafe practices that may result in electric shock, personal injury, or property damage.

📖 NOTE

Useful tips and instructions.

These warning icons and symbols are here to prevent injury to you and others.

Please follow them explicitly. After reading this section, keep it in a safe place for future reference.

State of California Proposition 65 warning (US only)

▲ WARNING

This product contains chemicals known to the State of California to cause cancer and birth defects or other reproductive harm - www.p65warnings.ca.gov

1. FCC Notice

⚠ CAUTION

FCC CAUTION:

Any changes or modifications not expressly approved by the party responsible for compliance could void the user's authority to operate the equipment.

This device complies with Part 15 of FCC Rules. Operation is subject to following two conditions:

1. This device may not cause harmful interference, and
 2. This device must accept any interference received including interference that cause undesired operation.
- For products sold in the US and Canadian markets, only channels 1~11 are available. You cannot select any other channels.

FCC STATEMENT:

This equipment has been tested and found to comply within the limits for a Class B digital device, pursuant to part 15 of the FCC Rules. These limits are designed to provide reasonable protection against harmful interference in a residential installation.

Important Safety Instructions

This equipment generates, uses, and can radiate radio frequency energy and, if not installed and used in accordance with the instructions, may cause harmful interference to radio communications.

However, there is no guarantee that interference will not occur in a particular installation. If this equipment does cause harmful interference to radio or television reception, which can be determined by turning the equipment off and on, the user is encouraged to try to correct the interference by one or more of the following measures:

- Reorienting or relocating the receiving antenna
- Increasing the separation between the equipment and receiver
- Connecting the equipment to an outlet that is on a different circuit than the radio or TV
- Consulting the dealer or an experienced radio/TV technician for help

FCC RADIATION EXPOSURE STATEMENT:

This equipment complies with FCC radiation exposure limits set forth for an uncontrolled environment. This equipment should be installed and operated so there is at least 8 inches (20 cm) between the radiator and your body. This device and its antenna(s) must not be co-located or operated in conjunction with any other antenna or transmitter.

2. IC Notice

The term "IC" before the radio certification number only signifies that Industry Canada technical specifications were met. Operation is subject to the following two conditions: (1) this device may not cause interference, and (2) this device must accept any interference, including interference that may cause undesired operation of the device.

This Class B digital apparatus complies with Canadian ICES-003. For products sold in the US and Canadian markets, only channels 1~11 are available. You cannot select any other channels.

IC RADIATION EXPOSURE STATEMENT:

This equipment complies with IC RSS-102 radiation exposure limits set forth for an uncontrolled environment. This equipment should be installed and operated so there is at least 8 inches (20 cm) between the radiator and your body. This device and its antenna(s) must not be co-located or operated in conjunction with any other antenna or transmitter.

▲ WARNING

TO REDUCE THE RISK OF FIRE, ELECTRIC SHOCK, OR INJURY TO PERSONS, OBSERVE THE FOLLOWING PRECAUTIONS:

- Use this unit only in the manner intended by the manufacturer. If you have questions, contact the manufacturer.
- Before servicing or cleaning the unit, switch the power off at the service panel and lock the service panel to prevent power from being switched on accidentally. If the service panel cannot be locked, securely fasten a prominent warning device, such as a tag to the service panel.
- Installation work and electrical wiring must be done by qualified person(s) in accordance with all applicable codes and standards, including fire-rated construction.
- Sufficient air is needed for proper combustion and exhausting of gases through the flue (chimney) of fuel burning equipment to prevent backdrafting. Follow the heating equipment manufacturer's guideline and safety standards such as those published by the National Fire Protection Association (NFPA), the American Society for Heating, Refrigeration and Air Conditioning Engineers (ASHRAE), and the local code authorities.
- When cutting or drilling into the wall or ceiling; do not damage electrical wiring and other hidden utilities.
- Ducted fans must always be vented outdoors.

▲ CAUTION

For general ventilating use only. Do not use to exhaust hazardous or explosive materials and vapors.

Important Safety Instructions

CAUTION

To reduce risk of fire and to properly exhaust air, be sure to duct air outside - do not vent exhaust air into spaces within walls or ceilings, attics or into crawl spaces, or garages.

WARNING

TO REDUCE THE RISK OF FIRE, USE ONLY METAL DUCTWORK

WARNING

TO REDUCE THE RISK OF A RANGE TOP GREASE FIRE:

- Never leave surface units unattended at high settings. Boilovers cause smoking and greasy spillovers that may ignite. Heat oils slowly on low or medium settings.
- Always turn the hood ON when cooking at high heat or when flambeing food (i.e. Crepes Suzette, Cherries Jubilee, Peppercorn Beef Flambé).
- Clean ventilating fans frequently. Grease should not be allowed to accumulate on the fan or filter.
- Use proper pan sizes. Always use cookware appropriate for the size of the surface element.

WARNING

TO REDUCE THE RISK OF INJURY TO PERSONS IN THE EVENT OF A RANGE TOP GREASE FIRE, OBSERVE THE FOLLOWING PRECAUTIONS:*

- SMOTHER FLAMES with a close fitting lid, cookie sheet, or metal tray, then turn off the burner.
BE CAREFUL TO PREVENT BURNS. If the flames do not go out immediately, EVACUATE AND CALL THE FIRE DEPARTMENT.
- NEVER PICK UP A FLAMMING PAN - you may get burned.
- DO NOT USE WATER, including wet dishcloths or towels - a violent steam explosion will result.
- Use an extinguisher ONLY if:
 - You know you have a class ABC extinguisher, and you already know how to operate it.
 - The fire is small and contained in the area where it started.
 - The fire department is being called.
 - You can fight the fire with your back to an exit.

*Based on "Kitchen Fire Safety Tips" published by NFPA.

WARNING

To reduce the risk of fire or electrical shock, do not use this fan with any solid-state speed control device.

WARNING

Do not let children near this appliance. Do not let children play with this appliance.

Keep all packaging materials out of children's reach. Properly dispose the packaging materials after this appliance is unpacked.

NOTE

Suitable for use in household cooking area.

Read and save these Instructions

Installation Requirements

Electrical requirements

IMPORTANT

Observe all governing codes and ordinances.

It is the customer's responsibility:

- To contact a qualified electrical installer.
- To assure that the electrical installation is adequate and in conformance with National Electrical Code, ANSI/NFPA 70 — latest edition*, or CSA Standards C22.1-94, Canadian Electrical Code, Part 1 and C22.2 No.0-M91 - latest edition** and all local codes and ordinances.

If codes permit and a separate ground wire is used, it is recommended that a qualified electrician determine that the ground path is adequate.

A copy of the above code standards can be obtained from:
National Fire Protection Association

1 Batterymarch Park
Quincy, MA 02169-7471

CSA International
8501 East Pleasant Valley Road
Cleveland, OH 44131-5575

- A 120 volt, 60 Hz., AC only, 15-amp, fused electrical circuit is required.
- If the house has aluminum wiring, follow the procedure below.

1. Connect a section of solid copper wire to the pigtail leads.
 2. Connect the aluminum wiring to the added section of copper wire using special connectors and/or tools designed and UL listed for joining copper to aluminum.
- Follow the electrical connector manufacturer's recommended procedure. Aluminum/copper connection must conform with local codes and industry accepted wiring practices.
 - Wire sizes and connections must conform with the rating of the appliance as specified on the model/serial rating plate. The model/serial plate is located behind the filter on the rear wall of the hood.
 - Wire sizes must conform to the requirements of the National Electrical Code, ANSI/NFPA 70 (latest edition), or CSA Standards C22.1-94, Canadian Electrical Code, Part 1 and C22.2 No. 0-M91 (latest edition and all local codes and ordinances).

Installation Requirements

Venting requirements

- Vent system must terminate outdoors.
- Do not terminate the vent system in an attic or other enclosed area.
- Do not use a 4" (10.2 cm) laundry-type wall cap.
- Use metal vent only. Rigid metal vent is recommended.
- Plastic or metal foil vent is not recommended.
- The length of the vent system and the number of elbows should be kept to a minimum to provide efficient performance. For the most efficient and quiet operation:
 - Use no more than three 90° elbows.
 - Make sure there is a minimum of 30" (76.2 cm) of straight vent between the elbows if more than 1 elbow is used. Do not install 2 elbows together.
- Use clamps to seal all joints in the vent system.
- The vent system must have a damper. If the roof or wall cap has a damper, do not use the damper supplied with the hood.
- Use caulking to seal the exterior wall or roof opening around the cap.
- The size of the vent should be uniform.

Venting methods

To use the hood's top outlet to vent your hood, a 10" (25.4 cm) round vent system is required. This vent system is not included and must be purchased separately.

NOTE

Flexible vent is not recommended. Flexible vent creates back pressure and air turbulence that greatly reduces performance. The vent system can terminate either through the roof or wall.

Always install a metal vent cover where the ductwork exits the house. Hood must be vented to the outside of building only.

Discharge direction

This hood is factory set for venting through the roof (vertical discharge) or wall (horizontal discharge).

To vent through a wall, a 90° elbow is needed.

Ductwork installation guidelines

For safety reasons, ducting should vent directly outdoors (not into an attic, underneath the house, into the garage or into any enclosed space). Do not exceed 50 ft (15.24 m) of duct. Keep duct runs as short and straight as possible. Elbows and transitions fittings reduce air flow efficiency.

Back to back elbows and "S" turns give very poor delivery and are not recommended. A short straight length of duct at the inlet of a remote fan gives the best delivery.

Ducting recommendations

Proper performance is dependent upon proper ducting.

Cold weather

Cold weather installations should have an additional backdraft damper installed to minimize backward cold air flow and a nonmetallic thermal break to minimize conduction of outside temperatures as part of the ductwork. The damper should be on the cold air side of the thermal break. The break should be as close as possible to where the ducting enters the heated portion of the house.

Make-up air

Local building codes may require the use of make-up air systems when using ducted ventilation systems greater than specified CFM of air movement. The specified CFM varies from locale to locale. It is the responsibility of the owner and the installer to determine if additional requirements and/or standards apply to specific installations.

Installation Requirements

Ducting options

The hood is equipped with a 10" (25.4 cm) round transition for discharge of fumes to the outside.

Closely follow the instructions set out in this manual. Dacor is not responsible for any eventual inconveniences, damages or fires caused by not complying with the instructions in this manual.

Preparation

Do not cut a joist or stud unless absolutely necessary. If a joist or stud must be cut, then a supporting frame must be constructed.

Fittings material is provided to secure the hood to most types of walls/ceilings.

However, a qualified technician must verify suitability of the materials in accordance with the type of wall/ceiling.

Before making cutouts, make sure there is proper clearance within the ceiling or wall for the exhaust vent.

Mounting height

⚠ CAUTION

Mount this hood so that the bottom edge above the cooking surface is at 30" (76.2 cm) minimum for a gas cooking surface or 24" (60.9 cm) for an electric cooking surface.

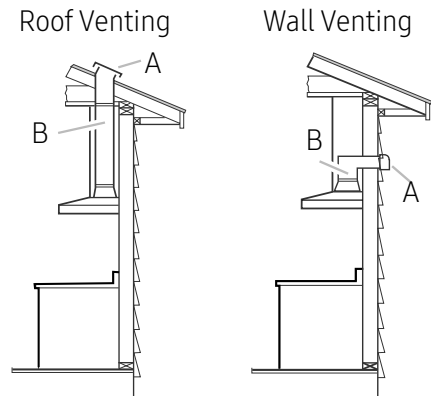
There is no maximum mounting height, however, we recommend mounting the hood no greater than 36" (91.4 cm) above the cooking surface. For every inch (2.54 cm) above 36" (91.4 cm), fume and moisture capture efficiency diminishes at an increasing rate and may not deliver an acceptable level of ventilating performance.

This hood is intended for household use.

Check your ceiling height and hood height before selecting your hood.

Horizontal discharge

A 90° elbow may be installed immediately above the hood.

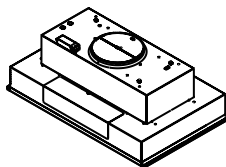


A. Roof Cap
B. 10" (25.4 cm)
Round Vent

A. Wall Cap
B. 10" (25.4 cm)
Round Vent

Installation Requirements

What is in the box



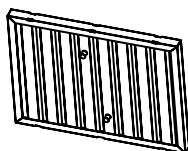
Hood assembly (1)



Hardware bag (1)



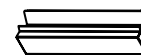
Side spacers (2)



Filters
30" (2)
36" (2)
48" (3)



Product literature (2)



Drip trays
30" (2)
36" (2)
48" (3)

Tools and parts

Removing the packaging.

⚠ CAUTION


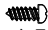


Remove carton carefully, Wear gloves to protect against sharp edges.

⚠ WARNING

Remove the protective film before putting into operation.

Parts supplied

- Hardware bag includes:

Part #	Qty
 5 x 45 mm	4
 3.5 x 6.5 mm	6
 Ø 6.4 x 18 mm washers	4
 CFM reduction wire	(1) 36" (1) 48"

Parts not supplied

Tools/Materials required

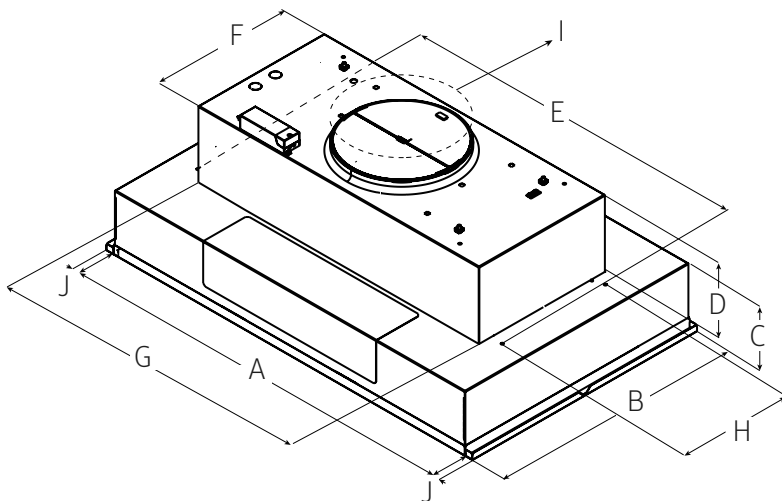
- Level
- Drill with 1 ¼" (3.2 cm) and ⅛" (3 mm) drill bits
- Pencil
- Wire stripper or knife
- Tape measure or ruler
- Pliers
- Caulking gun and weatherproof caulking compound
- Vent clamps
- Jigsaw
- Metal snips
- Screwdrivers:
 - Phillips
 - Flat - blade

Parts needed

- Home power supply cable
- ½" (12.7 mm) UL listed or CSA approved strain relief
- 3 UL listed wire connectors
- 1 wall or roof cap
- Metal vent system

Installation Requirements

Dimensions and clearances

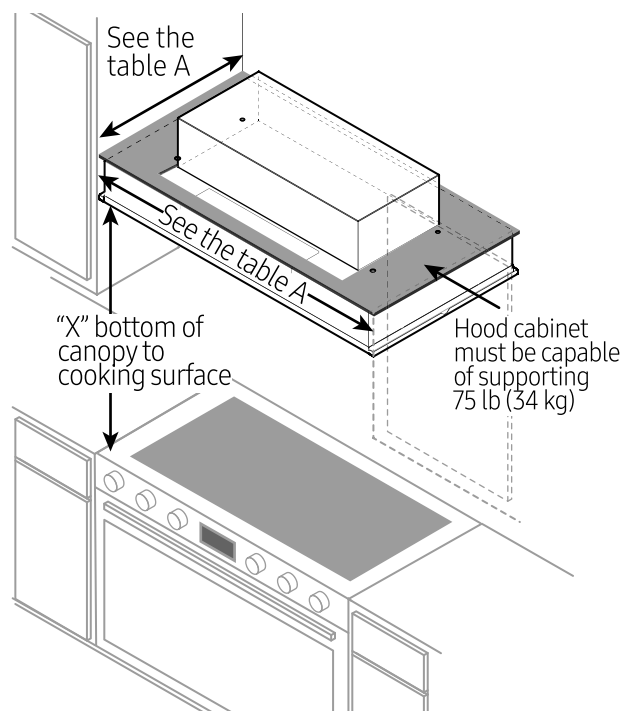


	Models		
	30"	36"	48"
A	28½" (72.1 cm)	34½" (87.4 cm)	46½" (117.8 cm)
B	22" (55.9 cm)		
C	5⅞" (13.8 cm)		
D	6½" (16.4 cm)		
E	22" (56 cm)	27⅞" (70 cm)	
F	12⅞" (31.4 cm)		
G	24⅝" (61.8 cm)	29⅓" (75.7 cm)	
H	10⅞" (25.7 cm)		
I	10" (25.4 cm)		
J	¾" (1.9 cm)		

This hood has the flexibility to be installed in two different ways, depending on the width measurement or working area between the left and right cabinetry. Before beginning, it is important to determine the dimension of this working area and to consider the measurements detailed in the next table.

Table A

Hood Models	Hood width without spacers	Hood width with spacers	Hood Depth
30"	28½" (72 cm)	30" (76.2 cm)	22" (55.9 cm)
36"	34½" (87 cm)	36" (91.44 cm)	
48"	46½" (117.5 cm)	48" (121.92 cm)	



IMPORTANT:

Minimum distance "X": 24" (60.9 cm) from electric cooking surfaces.

Minimum distance "X": 30" (76.2 cm) from gas cooking surfaces.

Installation

Installation instructions

We recommend that a qualified technician install the hood. It is the installer's responsibility to ensure the hood complies with the installation clearances specified for the product.

- It is recommended that the vent system be installed before the hood is installed.
- If possible, disconnect and remove any cooking appliance from beneath the hood area to provide easier access to the rear wall.
- Before making cutouts, make sure there is proper clearance within the ceiling or wall for the exhaust vent.

- Confirm that all installation parts have been removed from the shipping carton.
1. Turn off the power at the circuit breaker panel or fuse box.
 2. Determine which venting method to use: roof or wall exhaust.

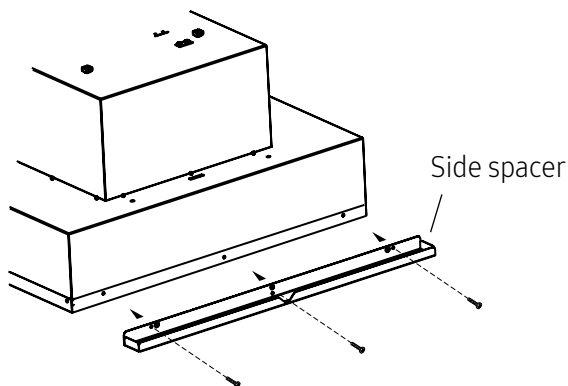
NOTE

This hood is factory set to vent through the top air exit.

3. Select a flat surface for assembling the hood. Place a covering over that surface

Stainless steel hood spacer installation

- You can elongate 1.5" (3.8 cm) of your hood width ($\frac{3}{4}$ " [1.9 cm] per side), installing the stainless steel spacers included with your hood.
 - Unpack the spacer and take off the protective film.
 - Put each one on the right and the left side
 - Fasten hood spacers to the hood cabinet and tighten securely using 3 - 3.5 x 6.5 mm screws each.
- If cabinetry designs reduces the width opening (i.e. – 28.5", 34.5" or 46.5") to install the hood, the spacers are not used.
 - If you have a full width opening (i.e. – 30", 36" or 48") to install the hood, you should use the spacers.



Installation

Prepare the location

- Disconnect power.
- Determine which venting method to use: roof or wall exhaust.
- Select a flat surface for assembling the hood insert. Place covering over that surface.
- It is recommended that the vent system be installed before hood is installed.
- Before making cutouts, make sure there is proper clearance within the ceiling or wall for exhaust vent.
- Hood insert should be installed a minimum 24" (60.9 cm) above an electric cooking product and 30" (76.2 cm) above a gas cooking product. The maximum recommended height over both cook tops is 36" (91.4 cm).
- Check that all installation parts have been removed from the shipping carton.
- Using 2 or more people, lift hood insert onto covered surface.
- Remove the filters. See the "Cleaning" section.

Install hood into hood cabinet

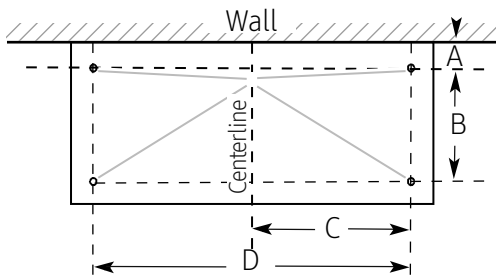
The hood attaches to the hood cabinet using 4 - 5 x 45 mm screws and washers.

NOTE

Hood cabinet must be capable of supporting 75 lb (34 kg).

Prepare hood for mounting into cabinet

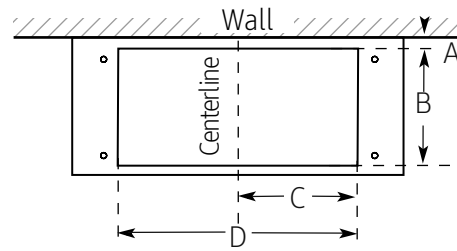
1. Mark the locations for the four mounting screws on the hood cabinet as shown below.
2. Using a 1/8" (3 mm) drill bit, drill the 4 holes.



Mounting hole dimensions

Model	DIM A	DIM B	DIM C	DIM D	DIM E
30"	6" (15.5 cm)	10 ⁵ / ₁₆ " (25.6 cm)	12 ⁵ / ₃₂ " (30.9 cm)	24 ⁵ / ₁₆ " (61.8 cm)	Ø 1/8" (3mm)
36"			14 ¹⁵ / ₁₆ " (38 cm)	29 ¹³ / ₁₆ " (75.8 cm)	
48"					

3. Mark the cutout for the rectangular clearance hole for the upper hood motor housing as shown.
4. Using a jigsaw, cut out the rectangular clearance hole for the upper hood housing.



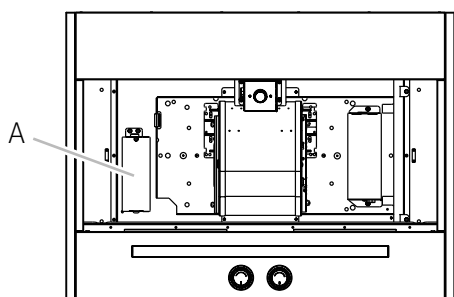
Upperhood motor housing dimensions

Model	DIM A	DIM B	DIM C	DIM D
30"	4 ¹ / ₄ " (10.8 cm)	15 ⁵ / ₁₆ " (38.9 cm)	7 ⁵ / ₈ " (19.45 cm)	23 ⁷ / ₁₆ " (59.5 cm)
36"			14 ¹ / ₂ " (36.8 cm)	28 ¹⁵ / ₁₆ " (73.5 cm)
48"				

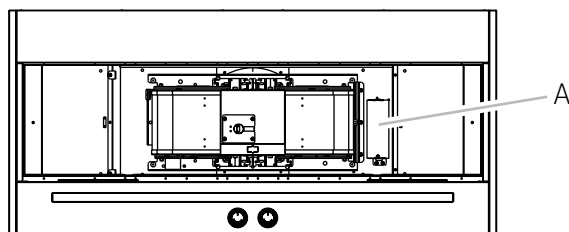
Installation

1. Determine and make all necessary cuts in the wall or roof for the vent system. Install the vent system before installing the cabinet hood insert. See the "Venting Requirements" section.
2. Determine the location where the power supply cable will be run through the wall.
3. Drill a 1¼" (3.2 cm) hole at this location.
4. Pull enough power supply cable through the wall to allow for easy connection to the terminal box.
5. Remove terminal box cover (A) and set aside.
6. Remove knockout from the top of the vent hood and install a UL listed or CSA approved ½" (1.3 cm) strain relief.
7. Place the hood insert near its mounting position and run the power supply cable through the strain relief into terminal box (enough to make connection).
8. Tighten the strain relief.
9. Using 2 or more people, lift the hood insert into hood cabinet.
10. Fasten the hood using 4 - 5 x 45 mm screws with washers to the hood cabinet and tighten securely.

30" Single fan models



36" and 48" Double fan models

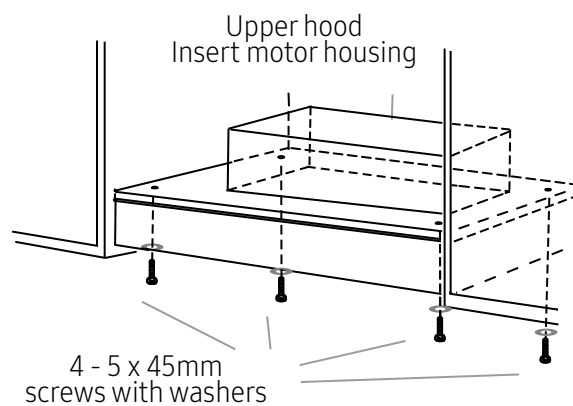


▲ WARNING

EXCESSIVE WEIGHT HAZARD

USE TWO OR MORE PEOPLE TO MOVE AND INSTALL HOOD INSERT.

FAILURE TO DO SO CAN RESULT IN BACK OR OTHER INJURY.



Installation

Electrical connection

▲ WARNING

ELECTRICAL SHOCK HAZARD.

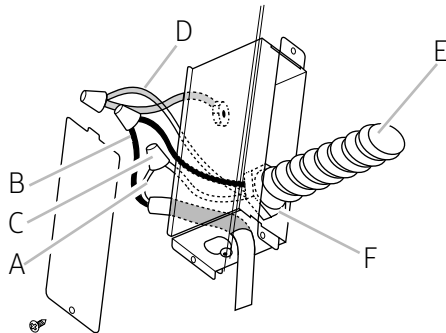
▲ WARNING

DISCONNECT POWER BEFORE SERVICING.

REPLACE ALL PARTS AND PANELS BEFORE OPERATING.

FAILURE TO DO SO CAN RESULT IN DEATH OR ELECTRICAL SHOCK.

1. Disconnect power.
2. Locate terminal box inside of the hood insert.



- | | |
|--|-----------------------------------|
| A. White wires | E. Home power supply |
| B. Black wires | F. UL listed or CSA |
| C. UL listed wire connectors | approved $\frac{1}{2}$ " (1.3 cm) |
| D. Green, bare or yellow/
green wires | strain relief |

3. Use UL listed wire connectors and connect black wires (B) together.
4. Use UL listed wire connectors and connect white wires (A) together.

▲ WARNING

ELECTRICALLY GROUND FAN.

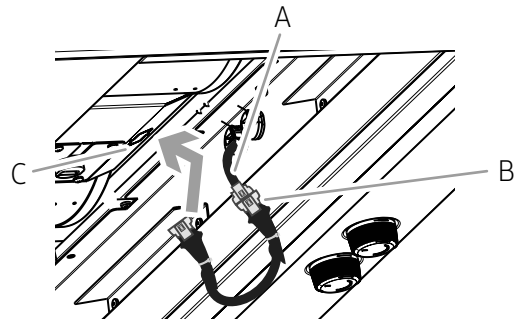
CONNECT GROUND WIRE TO GREEN AND YELLOW GROUND WIRE IN TERMINAL BOX. FAILURE TO DO SO CAN RESULT IN DEATH OR ELECTRICAL SHOCK.

5. Connect green (or bare) ground wire from home power supply to the green/yellow ground wire (D) in terminal box using UL listed wire connectors.
6. Install terminal box cover.
7. Reconnect power.

CFM reduction for 36" and 48" models

1. Connect the one end of the CFM reduction wire to the (A) end of the wire harness coming out from the hood.
2. Connect the other end of the CFM reduction wire to the (C) fan connection.

For additional information about CFM reduction of your new hood, refer to the "Use and Care" manual.

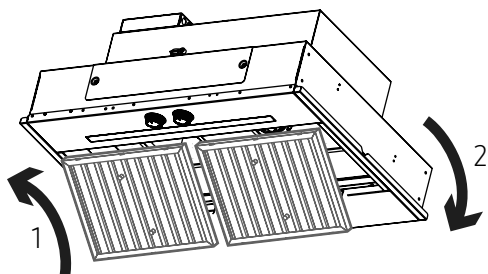


- A. Hood harness
B. CFM reduction wire end
C. Fan connection

Installation

Completing the installation

1. Grasp the filter handles with both hands and then place the front edge of the filter into the hood.
2. Push up on the back of the handle, and then set rear of filter into the drip tray to secure. Repeat for each filter.



Model shown for reference only, features may vary

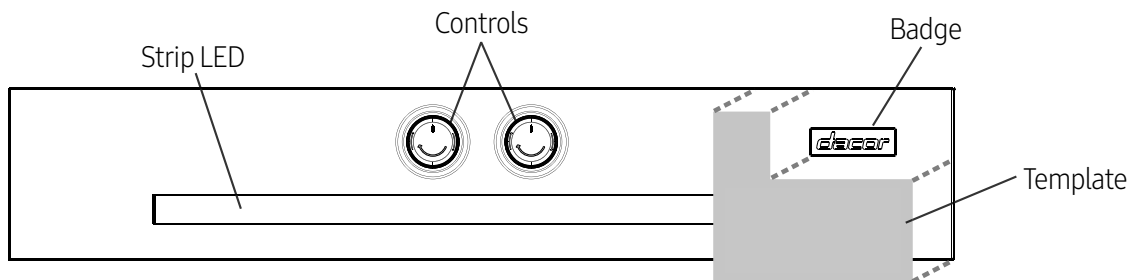
Place the filters and check the operation of the hood.

- To get the most efficient use from your new hood, read the “Use and Care” manual.
- Keep these Installation Instructions and Use and Care Guide close to hood for easy reference.

Installation

Attach Dacor badge

Use the template on this page for alignment of the badge. Cut out the template and tape it onto the hood front surface and verify the template is aligned with the right side of the hood and within the upper and lower edge of the front surface. Practice placing the badge first before removing the adhesive release paper.



Lower view of the edge of the hood

NOTE: The badge has very high retention adhesive - once the badge is attached its extremely difficult to remove.

Before removing the release paper from the back of the badge, practice placing the badge in the proper position on the hood without any overlap between the badge and this template.

After this practice, remove the release paper from the back of the badge, and attach it to the hood without any overlap of the badge to this template.

Remove and discard this template.



Sommaire

Avant de Commencer **19**

Remarques importantes	19
Service à la clientèle	19

Instructions de Sécurité Importantes **20**

Exigences d'installation **23**

Exigences électriques	23
Exigences de ventilation	24
Méthodes d'évacuation	24
Options de conduits	25
Ce que contient la boîte	26
Outils et pièces	26
Dimensions et dégagements	27

Installation **28**

Instructions d'installation	28
Installation d'une entretoise de hotte en acier inoxydable	28
Préparer l'emplacement	29
Installer la hotte dans le meuble à hotte	29
Connexion électrique	31
Terminer l'installation	32
Fixez le badge Dacor	33

Avant de Commencer

Remarques importantes

Installateur

- Dans l'intérêt de la sécurité et pour minimiser les problèmes, lisez attentivement ce manuel avant de commencer l'installation.
- Laissez ce manuel au client.
- Montrez au propriétaire comment couper l'alimentation de la hotte.

Client

Conservez ce manuel pour vous y référer à titre personnel et professionnel.

Service à la clientèle

Pour résoudre les questions et les problèmes d'installation, contactez votre revendeur Dacor ou le service client Dacor. Avant d'appeler, munissez-vous du modèle et du numéro de série de la hotte. (Voir l'étiquette de données à l'intérieur de la hotte, au-dessus des filtres, sur la paroi arrière du châssis).

Toutes les spécifications sont susceptibles d'être modifiées sans préavis. Dacor n'assume aucune responsabilité pour de tels changements.

2022 Dacor, tous droits réservés.

Instructions de Sécurité Importantes

**APPROUVÉ POUR LES APPAREILS RÉSIDENTIELS
POUR USAGE RÉSIDENTIEL UNIQUEMENT
LISEZ ET CONSERVEZ CES INSTRUCTIONS**

**VEUILLEZ LIRE LE GUIDE D'INSTALLATION EN ENTIER AVANT DE
PROCÉDER.**

L'INSTALLATION DOIT ÊTRE CONFORME À TOUS LES CODES LOCAUX.

IMPORTANT: Conservez ces instructions pour l'usage de l'inspecteur électrique local.

INSTALLATEUR: Veuillez laisser ces instructions avec cette unité pour le propriétaire.

PROPRIÉTAIRE: Veuillez conserver ces instructions pour toute référence ultérieure.

Symboles utilisés dans ce manuel

▲ AVERTISSEMENT

Dangers ou pratiques dangereuses pouvant entraîner des blessures graves ou la mort.

▲ AVERTISSEMENT

Coupez le circuit électrique au panneau de service et verrouillez le panneau avant de câbler cet appareil.

⚠ ATTENTION

Dangers ou pratiques dangereuses pouvant entraîner un choc électrique, des blessures corporelles ou des dommages matériels.

📖 REMARQUE

Conseils et instructions utiles.

Ces icônes et symboles d'avertissement sont là pour éviter de vous blesser ou de blesser d'autres personnes.

Veillez les respecter scrupuleusement. Après avoir lu cette section, conservez-la dans un endroit sûr pour pouvoir la consulter ultérieurement.

State of California Proposition 65 warning (US only)

▲ AVERTISSEMENT

Ce produit contient des produits chimiques connus dans l'État de Californie pour provoquer des cancers et des anomalies congénitales ou d'autres problèmes de reproduction. - www.p65warnings.ca.gov

1. FCC Notice

⚠ ATTENTION

FCC ATTENTION:

Tout changement ou modification non expressément approuvé par la partie responsable de la conformité pourrait annuler l'autorisation de l'utilisateur à utiliser l'équipement.

Cet appareil est conforme à la partie 15 des règles de la FCC. Son fonctionnement est soumis aux deux conditions suivantes :

1. Cet appareil ne doit pas causer d'interférences nuisibles, et
2. Ce dispositif doit accepter toute interférence reçue, y compris les interférences qui provoquent un fonctionnement indésirable. Pour les produits vendus sur les marchés américain et canadien, seuls les canaux 1-11 sont disponibles. Vous ne pouvez pas sélectionner d'autres canaux.

DÉCLARATION DE LA FCC :

Cet équipement a été testé et déclaré conforme aux limites d'un appareil numérique de classe B, conformément à la partie 15 des règles de la FCC. Ces limites sont conçues pour fournir une protection raisonnable contre les interférences nuisibles dans une installation résidentielle.

Instructions de Sécurité Importantes

Cet équipement génère, utilise et peut émettre une énergie de fréquence radio et, s'il n'est pas installé et utilisé conformément aux instructions, il peut causer des interférences nuisibles aux communications radio. Cependant, il n'y a aucune garantie que des interférences ne se produiront pas dans une installation particulière. Si cet équipement provoque des interférences nuisibles à la réception de la radio ou de la télévision, ce qui peut être déterminé en éteignant et en allumant l'équipement, l'utilisateur est encouragé à essayer de corriger les interférences par une ou plusieurs des mesures suivantes :

- Réorienter ou déplacer l'antenne de réception
- Augmenter la distance entre l'équipement et le récepteur
- Raccorder l'appareil à une prise de courant située sur un circuit différent de celui de la radio ou du téléviseur.
- Consulter le revendeur ou un technicien radio/TV expérimenté pour obtenir de l'aide.

DÉCLARATION D'EXPOSITION AUX RADIATIONS DE LA FCC :

Cet équipement est conforme aux limites d'exposition aux radiations fixées par la FCC pour un environnement non contrôlé. Cet équipement doit être installé et utilisé de manière à ce qu'il y ait au moins 20 cm (8 pouces) entre le radiateur et votre corps. Cet appareil et son (ses) antenne(s) ne doivent pas être situés au même endroit ou utilisés conjointement avec une autre antenne ou un autre émetteur.

2. IC Avis

Le terme "IC" précédant le numéro de certification radio signifie uniquement que les spécifications techniques d'Industrie Canada ont été respectées. Le fonctionnement est soumis aux deux conditions suivantes : (1) cet appareil ne doit pas causer d'interférences, et (2) cet appareil doit accepter toute interférence, y compris les interférences qui peuvent causer un fonctionnement non désiré de l'appareil.

Cet appareil numérique de classe B est conforme à la norme ICES-003 du Canada. Pour les produits vendus sur les marchés américain et canadien, seuls les canaux 1~11 sont disponibles. Vous ne pouvez pas sélectionner d'autres canaux.

DÉCLARATION D'EXPOSITION AUX RAYONNEMENTS D'IC :

Cet équipement est conforme aux limites d'exposition aux radiations IC RSS-102 établies pour un environnement non contrôlé. Cet équipement doit être installé et utilisé de manière à ce qu'il y ait au moins 20 cm (8 pouces) entre le radiateur et votre corps. Cet appareil et son (ses) antenne(s) ne doivent pas être co-localisés ou utilisés en conjonction avec une autre antenne ou un autre émetteur.

▲ AVERTISSEMENT

- POUR RÉDUIRE LES RISQUES D'INCENDIE, D'ÉLECTROCUTION OU DE BLESSURE, RESPECTEZ LES PRÉCAUTIONS SUIVANTES :
- N'utilisez cet appareil que de la manière prévue par le fabricant. Si vous avez des questions, contactez le fabricant
- Avant de procéder à l'entretien ou au nettoyage de l'appareil, coupez l'alimentation au niveau du panneau de service et verrouillez ce dernier pour éviter toute mise sous tension accidentelle. Si le panneau de service ne peut pas être verrouillé, fixez solidement un dispositif d'avertissement bien visible, tel qu'une étiquette, sur le panneau de service.
- Les travaux d'installation et le câblage électrique doivent être effectués par une ou plusieurs personnes qualifiées, conformément à tous les codes et normes applicables, y compris la construction résistante au feu.
- Une quantité suffisante d'air est nécessaire pour une bonne combustion et l'évacuation des gaz par le conduit de fumée (cheminée) des appareils à combustible, afin d'éviter le refoulement. Suivez les directives du fabricant de l'équipement de chauffage et les normes de sécurité telles que celles publiées par la National Fire Protection Association (NFPA), l'American Society for Heating, Refrigeration and Air Conditioning Engineers (ASHRAE) et les autorités locales.
- Lorsque vous coupez ou percez le mur ou le plafond, n'endommagez pas le câblage électrique et les autres services publics cachés.
- Les ventilateurs canalisés doivent toujours être évacués à l'extérieur.

Instructions de Sécurité Importantes

ATTENTION

Pour une utilisation générale de ventilation uniquement. Ne pas utiliser pour évacuer des matières et des vapeurs dangereuses ou explosives.

ATTENTION

Pour réduire le risque d'incendie et pour évacuer correctement l'air, veillez à faire passer l'air à l'extérieur - ne faites pas passer l'air évacué dans des espaces situés à l'intérieur des murs ou des plafonds, dans des greniers ou dans des vides sanitaires, ou dans des garages.

AVERTISSEMENT

POUR RÉDUIRE LE RISQUE D'INCENDIE, UTILISEZ UNIQUEMENT DES CONDUITS MÉTALLIQUES

AVERTISSEMENT

POUR RÉDUIRE LE RISQUE D'UN FEU DE GRAISSE SUR LA CUISINIÈRE :

- Ne laissez jamais les unités de surface sans surveillance à des réglages élevés. Les débordements provoquent des fumées et des projections de graisse qui peuvent s'enflammer. Faites chauffer les huiles lentement sur des réglages bas ou moyens.
- Mettez toujours la hotte en marche lorsque vous cuisinez à feu vif ou lorsque vous flambez des aliments (par exemple, Crêpes Suzette, Jubilé de cerises, Boeuf au poivre flambé).
- Nettoyez fréquemment les ventilateurs. La graisse ne doit pas s'accumuler sur le ventilateur ou le filtre. Use proper pan sizes.
- Utilisez toujours des ustensiles de cuisson adaptés à la taille de l'élément de surface.

AVERTISSEMENT

AFIN DE RÉDUIRE LE RISQUE DE BLESSURES AUX PERSONNES EN CAS DE FEU DE GRAISSE SUR LE DESSUS DE LA CUISINIÈRE, OBSERVEZ LES PRÉCAUTIONS SUIVANTES:*.SMOTHER FLAMES with a close fitting lid, cookie sheet, or metal tray, then turn off the burner.

FAITES ATTENTION POUR ÉVITER LES BRÛLURES. Si les flammes ne s'éteignent pas immédiatement, EVACUEZ ET APPELEZ LES POMPIERS.

- Ne ramassez jamais une casserole qui s'enflamme - vous pourriez vous brûler.
- N'UTILISEZ PAS D'EAU, ni de torchons ou de serviettes mouillés - une violente explosion de vapeur en résulterait.
- Utilisez un extincteur UNIQUEMENT si :
 - Vous savez que vous avez un extincteur de classe ABC et vous savez déjà comment l'utiliser.
 - Le feu est petit et contenu dans la zone où il s'est déclaré.
 - Les pompiers sont appelés.
 - Vous pouvez combattre le feu en tournant le dos à une sortie.

*Selon le document "Kitchen Fire Safety Tips" publié par la NFPA.

AVERTISSEMENT

Pour réduire le risque d'incendie ou de choc électrique, n'utilisez pas ce ventilateur avec un dispositif de contrôle de vitesse à semi-conducteurs.

AVERTISSEMENT

Ne laissez pas les enfants s'approcher de cet appareil. Ne laissez pas les enfants jouer avec cet appareil.

Conservez tous les matériaux d'emballage hors de portée des enfants. Mettez au rebut les matériaux d'emballage de manière appropriée après avoir déballé l'appareil.

REMARQUE

Convient pour une utilisation dans la zone de cuisson domestique.

Exigences d'installation

Exigences électriques

IMPORTANT

Respectez tous les codes et ordonnances en vigueur. Il est de la responsabilité du client:

- Pour contacter un installateur électrique qualifié.
- Pour s'assurer que l'installation électrique est adéquate et conforme au National Electrical Code, ANSI/NFPA 70 - dernière édition*, ou aux normes CSA C22.1-94, Code canadien de l'électricité, Partie 1 et C22.2 No.0-M91 - dernière édition** et à tous les codes et ordonnances locaux.

Si les codes le permettent et qu'un fil de terre séparé est utilisé, il est recommandé qu'un électricien qualifié détermine que le chemin de terre est adéquat.

Une copie des normes du code ci-dessus peut être obtenue auprès de :

National Fire Protection Association

1 Batterymarch Park

Quincy, MA 02169-7471

CSA International

8501 East Pleasant Valley Road

Cleveland, OH 44131-5575

- Un circuit électrique de 120 volts, 60 Hz, c.a. seulement, 15 ampères, avec fusible est nécessaire.
- Si la maison a un câblage en aluminium, suivez la procédure suivante.

1. Connectez une section de fil de cuivre solide aux fils de la queue de cochon.
 2. Connectez le câblage en aluminium à la section de fil de cuivre ajoutée à l'aide de connecteurs et/ou d'outils spéciaux conçus et répertoriés UL pour joindre le cuivre à l'aluminium.
- Suivez la procédure recommandée par le fabricant du connecteur électrique. La connexion aluminium/cuivre doit être conforme aux codes locaux et aux pratiques de câblage acceptées par l'industrie.
 - La taille des fils et les connexions doivent être conformes à la puissance nominale de l'appareil, telle que spécifiée sur la plaque signalétique du modèle/de la série. La plaque signalétique du modèle/de la série se trouve derrière le filtre sur la paroi arrière de la hotte.
 - La taille des fils doit être conforme aux exigences du National Electrical Code, ANSI/NFPA 70 (dernière édition), ou aux normes CSA C22.1-94, Code canadien de l'électricité, Partie 1 et C22.2 No. 0-M91 (dernière édition et tous les codes et ordonnances locaux).

Exigences d'installation

Exigences de ventilation

- Le système de ventilation doit se terminer à l'extérieur.
- Ne terminez pas le système de ventilation dans un grenier ou un autre endroit fermé.
- N'utilisez pas de capuchon mural de type blanchisserie de 10,2 cm (4 po).
- Utilisez uniquement un évent en métal. Un évent en métal rigide est recommandé.
- Un évent en plastique ou en feuille de métal n'est pas recommandé.
- La longueur du système d'évacuation et le nombre de coudes doivent être réduits au minimum pour assurer une performance efficace. Pour un fonctionnement efficace et silencieux :
 - N'utilisez pas plus de trois coudes à 90°.
 - Assurez-vous qu'il y a un minimum de 76,2 cm (30 po) de conduit droit entre les coudes si plus d'un coude est utilisé. N'installez pas 2 coudes ensemble.
- Utilisez des colliers pour sceller tous les joints du système de ventilation.
- Le système d'évacuation doit être équipé d'un registre. Si le capuchon du toit ou du mur est muni d'un registre, n'utilisez pas le registre fourni avec la hotte.
- Utilisez du calfeutrage pour sceller l'ouverture du mur extérieur ou du toit autour du chapeau.
- La taille de l'évent doit être uniforme.

Méthodes d'évacuation

Pour utiliser la sortie supérieure de la hotte pour ventiler votre hotte, un système de ventilation rond de 10" (25,4 cm) est nécessaire. Ce système d'évent n'est pas inclus et doit être acheté séparément.

REMARQUE

L'évent flexible n'est pas recommandé. L'évent flexible crée une contre-pression et des turbulences d'air qui réduisent considérablement les performances. Le système de ventilation peut se terminer soit par le toit, soit par un mur. .

Installez toujours un couvercle d'évent métallique à l'endroit où les conduits sortent de la maison. La hotte doit être ventilée uniquement à l'extérieur du bâtiment.

Direction de la décharge

This hood is factory set for venting through the roof (vertical discharge) or wall (horizontal discharge).

Pour une évacuation à travers un mur, un coude de 90° est nécessaire

Directives pour l'installation des conduits

Pour des raisons de sécurité, les conduits doivent être évacués directement à l'extérieur (pas dans un grenier, sous la maison, dans le garage ou dans un espace fermé). Ne dépassez pas 15,24 m (50 ft) de conduit. Les conduits doivent être aussi courts et droits que possible. Les coudes et les raccords de transition réduisent l'efficacité du flux d'air.

Les coudes dos à dos et les virages en "S" donnent un très mauvais débit et ne sont pas recommandés. Une courte longueur droite de conduit à l'entrée d'un ventilateur distant donne le meilleur débit.

Recommandations pour les conduits

Une bonne performance dépend d'un conduit approprié.

Le temps froid

Les installations par temps froid doivent être munies d'un déflecteur d'air supplémentaire pour minimiser le retour de l'air froid et d'une coupure thermique non métallique pour minimiser la conduction des températures extérieures dans les conduits. Le registre doit se trouver du côté de l'air froid de la coupure thermique. La rupture doit être aussi proche que possible de l'endroit où le conduit pénètre dans la partie chauffée de la maison.

Air d'appoint

Les codes du bâtiment locaux peuvent exiger l'utilisation de systèmes d'air d'appoint lors de l'utilisation de systèmes de ventilation à conduits dont le mouvement d'air est supérieur au CFM spécifié. Le CFM spécifié varie d'une localité à l'autre. Il incombe au propriétaire et à l'installateur de déterminer si des exigences et/ou des normes supplémentaires s'appliquent à des installations spécifiques.

Exigences d'installation

Options de conduits

La hotte est équipée d'une transition ronde de 10" (25,4 cm) pour l'évacuation des fumées vers l'extérieur.

Suivez scrupuleusement les instructions données dans ce manuel. Dacor n'est pas responsable des éventuels désagréments, dommages ou incendies causés par le non-respect des instructions de ce manuel.

Préparation

Ne coupez pas une solive ou un montant à moins que cela ne soit absolument nécessaire. Si une solive ou un montant doit être coupé, il faut construire un cadre de support.

Des matériaux de fixation sont fournis pour fixer la hotte à la plupart des types de murs/plafonds.

Cependant, un technicien qualifié doit vérifier l'adéquation des matériaux en fonction du type de mur/plafond.

Avant de faire des découpes, assurez-vous qu'il y a un dégagement approprié dans le plafond ou le mur pour le conduit d'évacuation.

Hauteur de montage

⚠ ATTENTION

Montez cette hotte de façon à ce que le bord inférieur au-dessus de la surface de cuisson soit à au moins 76,2 cm (30 po) pour une surface de cuisson au gaz ou 60,9 cm (24 po) pour une surface de cuisson électrique.

Il n'y a pas de hauteur maximale de montage, mais nous recommandons de ne pas installer la hotte à plus de 36" (91,4 cm) au-dessus de la surface de cuisson. Pour chaque pouce (2,54 cm) au-dessus de 36" (91,4 cm), l'efficacité du captage des fumées et de l'humidité diminue à un rythme croissant et peut ne pas offrir un niveau acceptable de performance de ventilation.

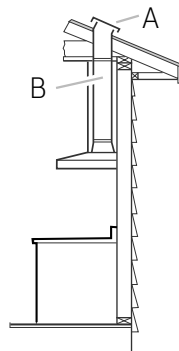
Cette hotte est destinée à un usage domestique.

Vérifiez la hauteur de votre plafond et la hauteur de la hotte avant de choisir votre hotte.

Décharge horizontale

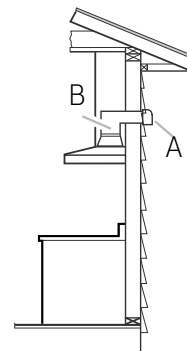
Un coude à 90° peut être installé immédiatement au-dessus de la hotte.

Ventilation par le toit



A. Capuchon de toit
B. 10" (25.4 cm) Évent rond

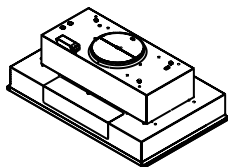
Ventilation par le mur



A. Capuchon de mur
B. 10" (25.4 cm) Évent rond

Exigences d'installation

Ce que contient la boîte



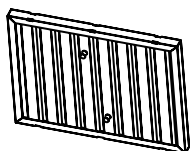
Montage de la hotte (1)



Sac de matériel (1)



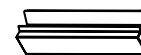
Entretoises latérales (2)



Filtres
30" (2)
36" (2)
48" (3)



Littérature du produit (2)



Bacs d'égouttage
30" (2)
36" (2)
48" (3)

Outils et pièces

Retirer l'emballage.

⚠ ATTENTION


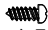


Retirez le carton avec précaution. Portez des gants pour vous protéger des bords tranchants.

⚠ AVERTISSEMENT

Retirez le film de protection avant la mise en service.

Pièces fournies

- Sac de matériel avec :

Pièce #	Qté
 5 x 45 mm	4
 3.5 x 6.5 mm	6
 Ø 6.4 x 18 mm rondelles	4
 Fil de réduction CFM	36" (1) 48" (1)

Pièces non fournies

Outils/Matériaux requis

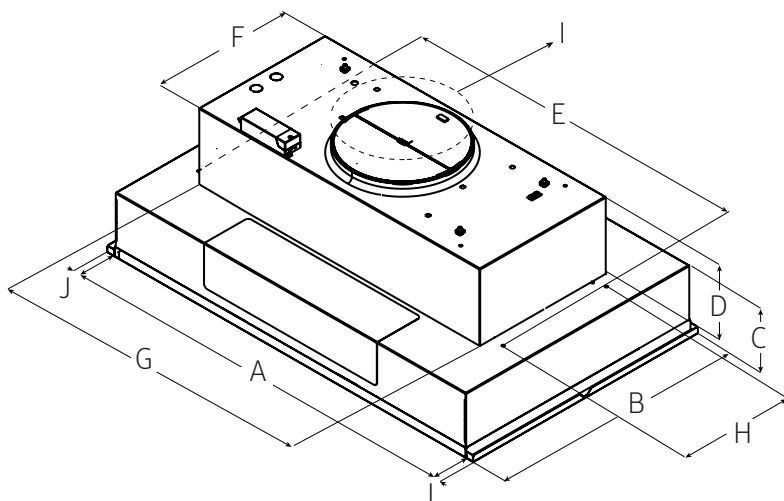
- Niveau
- Perceuse avec des mèches de 1 ¼" (3,2 cm) et ⅛" (3 mm).
- Crayon
- Pince à dénuder ou couteau
- Ruban à mesurer ou règle
- Pinces
- Pistolet à calfeutrer et produit de calfeutrage résistant aux intempéries.
- Pincettes à évent
- Scie sauteuse
- Cisailles à métaux
- Tournevis:
 - Phillips
 - Plat - lame

Pièces nécessaires

- Câble d'alimentation domestique
- Serre-câble de ½" (12,7 mm) homologué UL ou approuvé CSA
- 3 connecteurs de fils homologués UL
- 1 capuchon de mur ou de toit
- Système d'évent métallique

Exigences d'installation

Dimensions et dégagements

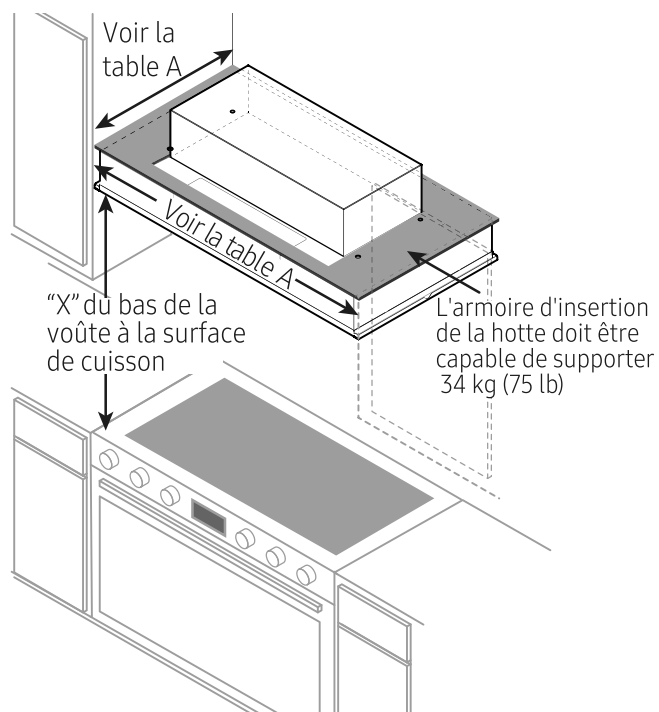


	Modèles		
	30"	36"	48"
A	28½" (72,1 cm)	34½" (87,4 cm)	46½" (117,8 cm)
B	22" (55,9 cm)		
C	5⅞" (13,8 cm)		
D	6½" (16,4 cm)		
E	22" (56 cm)	27⅞" (70 cm)	
F	12⅞" (31,4 cm)		
G	24 ⁵ / ₁₆ " (61,8 cm)	29 ¹³ / ₁₆ " (75,7 cm)	
H	10⅛" (25,7 cm)		
I	10" (25,4 cm)		
J	¾" (1,9 cm)		

Cette hotte a la possibilité d'être installée de deux manières différentes, en fonction de la mesure de la largeur ou de la zone de travail entre les armoires de gauche et de droite. Avant de commencer, il est important de déterminer la dimension de cette zone de travail et de considérer les mesures détaillées dans le tableau suivant.

Table A

Cuisinière Hotte aspirante Modèles	Hotte de cuisine largeur sans entretoises	Hotte de cuisine largeur avec entretoises	Gamme Profondeur
30"	28½" (72 cm)	30" (76,2 cm)	22" (55.9 cm)
36"	34½" (87 cm)	36" (91,44 cm)	
48"	46½" (117,5 cm)	48" (121,92 cm)	



IMPORTANT :

Distance minimale "X" : 24" (60,9 cm) des surfaces de cuisson électriques.

Distance minimale "X" : 30" (76,2 cm) des surfaces de cuisson au gaz.

Installation

Instructions d'installation

Nous recommandons qu'un technicien qualifié installe la hotte de cuisine. Il incombe à l'installateur de s'assurer que la hotte est conforme aux dégagements d'installation spécifiés pour le produit.

- Il est recommandé d'installer le système de ventilation avant d'installer la hotte.
- Si possible, débranchez et retirez tout appareil de cuisson situé sous la hotte pour faciliter l'accès à la paroi arrière.
- Avant de faire des coupes, assurez-vous qu'il y a un dégagement approprié dans le plafond ou le mur pour le conduit d'évacuation.

- Vérifiez que toutes les pièces d'installation ont été retirées du carton d'expédition.

1. Coupez le courant au niveau du panneau de disjoncteurs ou de la boîte à fusibles.
2. Déterminez la méthode d'évacuation à utiliser : évacuation par le toit ou par le mur.

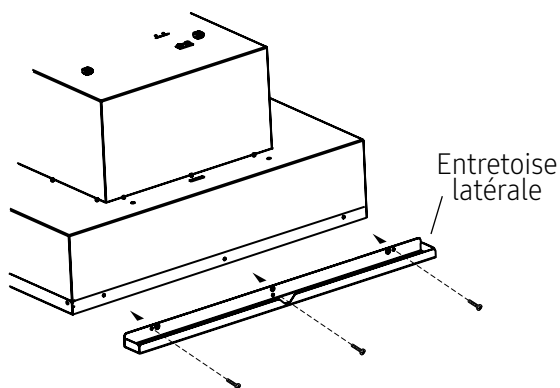
REMARQUE

Cette hotte est réglée en usine pour évacuer l'air par la sortie d'air supérieure.

3. Choisissez une surface plane pour assembler la hotte. Placez une couverture sur cette surface.

Installation d'une entretoise de hotte en acier inoxydable

- Vous pouvez allonger de 1,5 po (3,8 cm) la largeur de votre hotte ($\frac{3}{4}$ po [1,9 cm] par côté), en installant les entretoises en acier inoxydable fournies avec votre hotte.
- Déballez les entretoises et retirez la pellicule protectrice.
- Placez chacun d'eux sur le côté droit et sur le côté gauche.
- Fixez les entretoises de la hotte sur le meuble de la hotte et serrez fermement à l'aide de 3 - 3,5 x 6,5 mm vis chacune.
- Si la conception de l'armoire réduit l'ouverture en largeur (c.-à-d. - 28,5 po, 34,5 po ou 46,5 po) pour installer la hotte, les entretoises ne sont pas utilisées.
- Si vous avez une ouverture de pleine largeur (c.-à-d. 30, 36 ou 48 pouces) pour installer la hotte, vous devez utiliser les entretoises.



Installation

Préparer l'emplacement

- Débranchez l'alimentation électrique.
- Déterminez la méthode d'évacuation à utiliser : évacuation par le toit ou par le mur.
- Choisissez une surface plane pour l'assemblage de la hotte. Placez le revêtement sur cette surface.
- Il est recommandé d'installer le système de ventilation avant d'installer la hotte.
- Avant de faire des coupes, assurez-vous qu'il y a un dégagement approprié dans le plafond ou le mur pour le conduit d'évacuation.
- La hotte doit être installée à au moins 60,9 cm (24 po) au-dessus d'une surface de cuisson électrique et 76,2 cm (30 po) au-dessus d'une surface de cuisson au gaz. La hauteur maximale recommandée au-dessus des deux surfaces de cuisson est de 36" (91,4 cm).
- Vérifiez que toutes les pièces d'installation ont été retirées du carton d'expédition.
- À l'aide de deux personnes ou plus, soulevez la hotte sur la surface couverte.
- Retirez les filtres. Voir la section "Nettoyage".

Installer la hotte dans le meuble à hotte

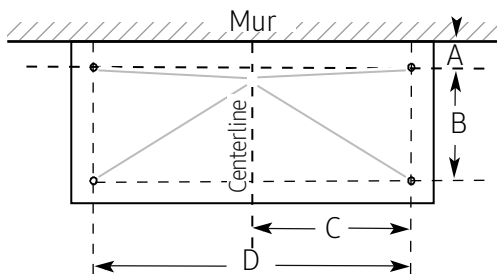
La hotte se fixe à l'armoire de la hotte à l'aide de 4 - 5 x 45 mm vis et rondelles.

REMARQUE

L'armoire de la hotte doit pouvoir supporter 34 kg (75 lb).

Préparer la hotte pour le montage dans l'armoire

1. Marquez les emplacements des quatre vis de montage sur le boîtier de la hotte comme indiqué ci-dessous.
2. À l'aide d'une mèche de 1/8" (3 mm), percez les 4 trous.

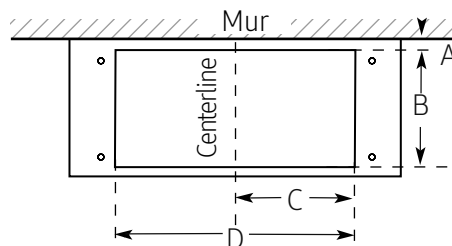


Dimensions des trous de montage

Modèle	DIM A	DIM B	DIM C	DIM D	DIM E
30"	6" (15.5 cm)	10 1/16" (25.6 cm)	12 5/32" (30.9 cm)	24 5/16" (61.8 cm)	Ø 1/8" (3mm)
36"			14 15/16" (38 cm)	29 13/16" (75.8 cm)	
48"					

Marquez la découpe du trou de dégagement rectangulaire pour le boîtier du moteur de la hotte de la cuisinière supérieure comme indiqué.

3. À l'aide d'une scie sauteuse, découpez le trou de dégagement rectangulaire pour le boîtier du moteur de la hotte supérieure.



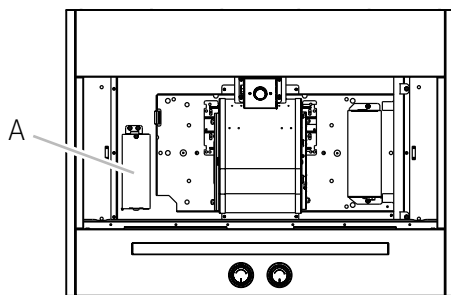
Dimensions du boîtier du moteur du capot supérieur

Modèle	DIM A	DIM B	DIM C	DIM D
30"	4 1/4" (10.8 cm)	15 5/16" (38.9 cm)	7 5/8" (19.45 cm)	23 7/16" (59.5 cm)
36"			14 1/2" (36.8 cm)	28 15/16" (73.5 cm)
48"				

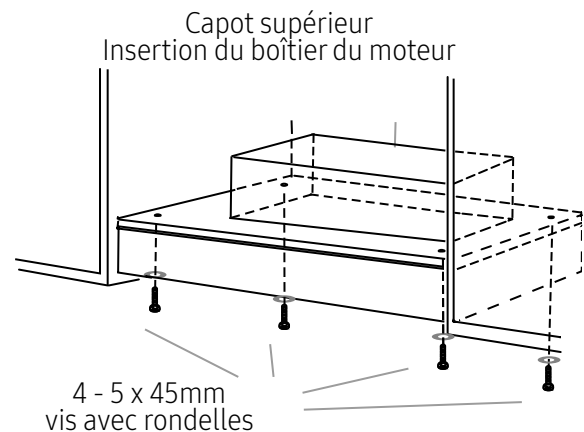
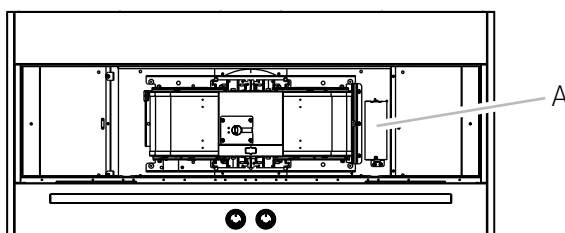
Installation

1. Déterminez et faites toutes les coupes nécessaires dans le mur ou le toit pour le système de ventilation. Installez le système de ventilation avant d'installer la hotte encastrable. Voir la section "Exigences en matière de ventilation".
2. Déterminez l'emplacement où le câble d'alimentation traversera le mur.
3. Percez un trou de 1¼" (3,2 cm) à cet endroit.
4. Tirez suffisamment de câble d'alimentation à travers le mur pour permettre une connexion facile à la boîte à terminaux.
5. Retirez le couvercle de la boîte à terminaux (A) et mettez-le de côté.
6. Retirez le raccordement sur le dessus de la hotte et installez une décharge de traction de ½" (1,3 cm) homologuée UL ou CSA.
7. Placez l'insert de la hotte près de sa position de montage et faites passer le câble d'alimentation à travers la décharge de traction dans la boîte à terminaux (suffisamment pour effectuer la connexion).
8. Serrez la décharge de traction.
9. À l'aide de 2 personnes ou plus, soulevez l'insert de la hotte dans l'armoire de la hotte.
10. Fixez la hotte à l'armoire de la hotte à l'aide de 4 - 5 vis x 45 mm avec rondelles et serrez-les fermement.

Modèles à ventilateur de 30 pouces



Modèles de ventilateur double de 36 et 48 pouces



▲ AVERTISSEMENT

RISQUE DE POIDS EXCESSIF

UTILISEZ DEUX PERSONNES OU PLUS POUR DÉPLACER ET INSTALLER L'INSERT DE HOTTE.

LE NON-RESPECT DE CETTE CONSIGNE PEUT ENTRAÎNER DES BLESSURES AU DOS OU AUTRES.

Installation

Connexion électrique

▲ AVERTISSEMENT

RISQUE DE CHOC ÉLECTRIQUE.

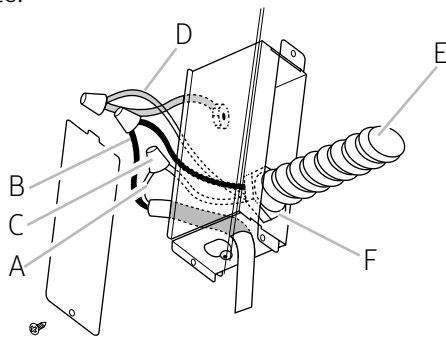
▲ AVERTISSEMENT

DÉBRANCHER L'ALIMENTATION AVANT DE PROCÉDER À L'ENTRETIEN.

REMPLEZ TOUTES LES PIÈCES ET TOUS LES PANNEAUX AVANT D'UTILISER L'APPAREIL.

LE NON-RESPECT DE CETTE CONSIGNE PEUT ENTRAÎNER LA MORT OU UN CHOC ÉLECTRIQUE.

1. Coupez le courant.
2. Localisez la boîte à terminaux à l'intérieur de l'insert de la hotte.



- | | |
|--------------------------------------|--|
| A. Fils blancs | E. Alimentation électrique domestique |
| B. Fils noirs | F. Répertorié UL ou approuvé CSA 1/2" (1,3 cm) de décharge de traction |
| C. Connecteurs de fils homologués UL | |
| D. Fils verts, nus ou jaunes/verts | |

3. Utilisez des connecteurs de fils homologués UL et connectez les fils noirs (B) ensemble.
4. Utilisez des connecteurs de fils répertoriés UL et connectez les fils blancs (A) ensemble.

▲ AVERTISSEMENT

METTEZ LE VENTILATEUR À LA TERRE.

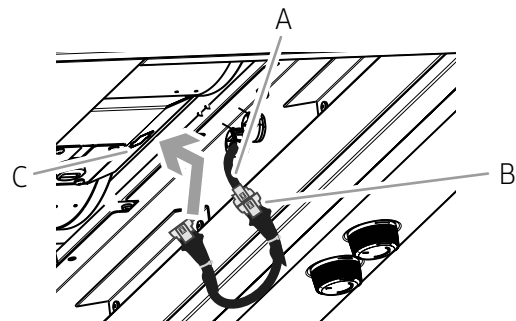
CONNECTEZ LE FIL DE TERRE AU FIL DE TERRE VERT ET JAUNE DE LA BOÎTE À TERMINAUX. LE NON-RESPECT DE CETTE CONSIGNE PEUT ENTRAÎNER LA MORT OU UN CHOC ÉLECTRIQUE.

5. Connectez le fil de terre vert (ou nu) de l'alimentation électrique de la maison au fil de terre vert/jaune (D) de la boîte à terminaux à l'aide de connecteurs de fils homologués UL.
6. Installez le couvercle de la boîte à terminaux.
7. Rebranchez le courant.

Réduction du CFM pour les modèles 36" et 48

1. Connectez l'une des extrémités du fil de réduction du CFM à l'extrémité (A) du faisceau de câbles sortant de la hotte.
2. Connectez l'autre extrémité du fil de réduction du CFM à la connexion (C) du ventilateur.

Pour plus d'informations sur la réduction du CFM de votre nouvelle hotte, reportez-vous au manuel "Utilisation et entretien".

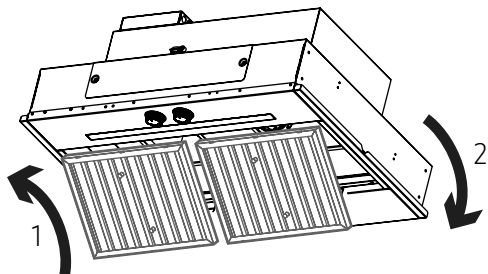


- A. Harnais de hotte
B. Extrémité du fil de réduction du CFM
C. Raccordement du ventilateur

Installation

Terminer l'installation

1. Saisissez les poignées du filtre des deux mains, puis placez le bord avant du filtre dans la hotte.
2. Poussez vers le haut à l'arrière de la poignée, puis placez l'arrière du filtre dans le bac d'égouttement pour le fixer. Répétez l'opération pour chaque filtre.



Modèle présenté à titre de référence uniquement, caractéristiques peuvent varier

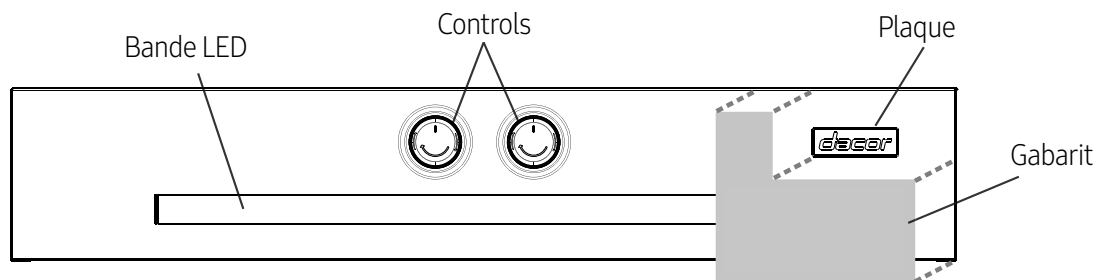
Placez les filtres et vérifiez le fonctionnement de la hotte.

- Pour tirer le meilleur parti de votre nouvelle hotte de cuisinière, lisez le manuel "Utilisation et entretien".
- Conservez ces instructions d'installation et ce guide d'utilisation et d'entretien à proximité de la hotte pour pouvoir les consulter facilement.

Installation

Fixez le badge Dacor

Utilisez le gabarit sur cette page pour l'alignement de la plaque d'identification. Découpez le gabarit et collez-le sur la surface avant du hotte et vérifiez que le gabarit est aligné avec le côté droit de la hotte et dans les limites des bords supérieur et inférieur de la surface avant. Entraînez-vous à placer la plaque signalétique avant de retirer le papier antiadhésif.




Vue inférieure du bord du capot

REMARQUE : Le badge a un adhésif à très haute rétention - une fois le badge fixé, il est extrêmement difficile à enlever.

Avant de retirer le papier de protection au dos de l'insigne, entraînez-vous à placer l'insigne dans la bonne position sur le capot sans qu'il y ait de chevauchement entre l'insigne et ce modèle.

Après cet exercice, retirez le papier de protection de l'arrière de l'insigne et fixez-le sur le capot sans que l'insigne ne se chevauche avec ce gabarit.

Retirez et jetez ce gabarit.



Contenido

Antes de Empezar	35
Notas Importantes	35
Servicio de Atención al Cliente	35
Instrucciones Importantes de Seguridad	36
Requisitos de instalación	39
Requisitos eléctricos	39
Requisitos de ventilación	40
Métodos de ventilación	40
Opciones de conductos	41
Qué hay en la caja	42
Herramientas y piezas	42
Dimensiones y espacios libres	43
Instalación	44
Instrucciones de instalación	44
Instalación del espaciador de la campana	44
Preparar el lugar	45
Instalar la campana extractora en el armario de la campana	45
Conexión eléctrica	47
Completar la instalación	48
Coloque la placa Dacor	49

Antes de Empezar

Notas Importantes

Instalador

- En aras de la seguridad y para minimizar los problemas, lea detenidamente este manual antes de iniciar la instalación.
- Deje este manual con el cliente.
- Muéstrela al propietario cómo cortar la energía de la campana.

Cliente

Conserve este manual como referencia personal y profesional.

Servicio de Atención al Cliente

Para resolver dudas y problemas de instalación, póngase en contacto con su distribuidor Dacor o con el servicio de atención al cliente de Dacor. Antes de llamar, tenga a mano el modelo y el número de serie de la campana. (Consulte la etiqueta de datos que se encuentra en el interior de la campana, encima de los filtros, en la pared posterior del chasis).

Todas las especificaciones están sujetas a cambios sin previo aviso. Dacor no asume ninguna responsabilidad por dichos cambios.

©2022 Dacor, todos los derechos reservados.

Instrucciones Importantes de Seguridad

**APROBADO PARA APARATOS RESIDENCIALES
SÓLO PARA USO RESIDENCIAL
LEA Y GUARDE ESTAS INSTRUCCIONES**

**LEA TODA LA GUÍA DE INSTALACIÓN ANTES DE PROCEDER.
LA INSTALACIÓN DEBE CUMPLIR CON TODOS LOS CÓDIGOS LOCALES.**

IMPORTANTE: Guarde estas instrucciones para el uso del inspector eléctrico local.
INSTALADOR: Por favor, deje estas instrucciones con esta unidad para el propietario.
CLIENTE: Conserve estas instrucciones para futuras consultas.

Símbolos usados en este manual

ADVERTENCIA

Peligros o prácticas inseguras que pueden provocar lesiones personales graves o la muerte.

ADVERTENCIA

Desconecte el circuito de alimentación en el panel de servicio y bloquee el panel antes de cablear este aparato.

PRECAUCIÓN

Peligros o prácticas inseguras que pueden provocar una descarga eléctrica, lesiones personales o daños materiales.

NOTA

Consejos e instrucciones útiles.

Estos iconos y símbolos de advertencia están aquí para evitar que usted y otras personas sufran daños.

Por favor, sígalos explícitamente. Después de leer esta sección, guárdela en un lugar seguro para futuras consultas.

Advertencia de la Proposición 65 del Estado de California (sólo en EE.UU.)

ADVERTENCIA

Este producto contiene sustancias químicas conocidas por el Estado de California como causantes de cáncer y defectos de nacimiento u otros daños reproductivos - www.p65warnings.ca.gov

1. Noticia de la FCC

PRECAUCIÓN

PRECAUCIÓN FCC:

Cualquier cambio o modificación no aprobada expresamente por la parte responsable del cumplimiento podría anular la autoridad del usuario para operar el equipo.

Este dispositivo cumple con la parte 15 de las normas de la FCC. Su funcionamiento está sujeto a las dos condiciones siguientes:

1. Este dispositivo no puede causar interferencias perjudiciales, y.
2. Este dispositivo debe aceptar cualquier interferencia recibida, incluidas las que causen un funcionamiento no deseado. Para los productos vendidos en los mercados de Estados Unidos y Canadá, sólo están disponibles los canales 1~11. No se puede seleccionar ningún otro canal.

Para los productos vendidos en los mercados de Estados Unidos y Canadá, sólo están disponibles los canales 1~11. No se puede seleccionar ningún otro canal.

DECLARACIÓN DE LA FCC:

Este equipo ha sido probado y se ha comprobado que cumple con los límites para un dispositivo digital de clase B, de acuerdo con la parte 15 de las normas de la FCC. Estos límites están diseñados para proporcionar una protección razonable contra las interferencias perjudiciales en una instalación residencial.

Instrucciones Importantes de Seguridad

Este equipo genera, utiliza y puede irradiar energía de radiofrecuencia y, si no se instala y utiliza de acuerdo con las instrucciones, puede causar interferencias perjudiciales en las comunicaciones de radio.

Sin embargo, no se puede garantizar que no se produzcan interferencias en una instalación concreta. Si este equipo causa interferencias perjudiciales en la recepción de radio o televisión, lo cual puede determinarse apagando y encendiendo el equipo, se recomienda al usuario que intente corregir las interferencias mediante una o varias de las siguientes medidas: Reorienting or relocating the receiving antenna

- Aumentar la separación entre el equipo y el receptor
- Conectar el equipo a una toma de corriente que esté en un circuito diferente al de la radio o el televisor
- Consultar al distribuidor o a un técnico de radio/televisión con experiencia para obtener ayuda

DECLARACIÓN DE EXPOSICIÓN A LA RADIACIÓN DE LA FCC:

Este equipo cumple con los límites de exposición a la radiación de la FCC establecidos para un entorno no controlado. Este equipo debe ser instalado y operado de manera que haya al menos 8 pulgadas (20 cm) entre el radiador y su cuerpo. Este dispositivo y su(s) antena(s) no deben estar ubicados ni funcionar junto con ninguna otra antena o transmisor.

2. Aviso IC

El término "IC" que precede al número de certificación de radio sólo significa que se cumplen las especificaciones técnicas de Industry Canada. El funcionamiento está sujeto a las dos condiciones siguientes: (1) este dispositivo no puede causar interferencias, y (2) este dispositivo debe aceptar cualquier interferencia, incluyendo las que puedan causar un funcionamiento no deseado del dispositivo.

Este aparato digital de clase B cumple con la norma canadiense ICES-003. Para los productos vendidos en los mercados estadounidense y canadiense, sólo están disponibles los canales 1~11. No se puede seleccionar ningún otro canal.

DECLARACIÓN DE EXPOSICIÓN A LA RADIACIÓN IC:

Este equipo cumple con los límites de exposición a la radiación IC RSS-102 establecidos para un entorno no controlado. Este equipo debe ser instalado y operado de manera que haya al menos 8 pulgadas (20 cm) entre el radiador y su cuerpo. Este dispositivo y su(s) antena(s) no deben estar ubicados ni funcionar junto con ninguna otra antena o transmisor.

▲ ADVERTENCIA

PARA REDUCIR EL RIESGO DE INCENDIO, DESCARGA ELÉCTRICA O LESIONES A LAS PERSONAS, OBSERVE LAS SIGUIENTES PRECAUCIONES:

- Utilice esta unidad sólo de la manera prevista por el fabricante. Si tiene dudas, póngase en contacto con el fabricante.
- Antes de realizar el mantenimiento o la limpieza de la unidad, desconecte la alimentación en el panel de servicio y bloquee el panel de servicio para evitar que la alimentación se conecte accidentalmente. Si el panel de servicio no puede bloquearse, fije un dispositivo de advertencia prominente, como una etiqueta, en el panel de servicio.
- Los trabajos de instalación y el cableado eléctrico deben ser realizados por personas cualificadas de acuerdo con todos los códigos y normas aplicables, incluyendo la construcción con clasificación de incendios.
- Se necesita aire suficiente para una combustión adecuada y para la evacuación de los gases a través del conducto de humos (chimenea) de los equipos de combustión para evitar el reflujos. Siga las directrices del fabricante del equipo de calefacción y las normas de seguridad, como las publicadas por la Asociación Nacional de Protección contra Incendios (NFPA), la Sociedad Americana de Ingenieros de Calefacción, Refrigeración y Aire Acondicionado (ASHRAE) y las autoridades locales de códigos.
- Cuando corte o perforo la pared o el techo, no dañe el cableado eléctrico ni otros servicios ocultos.

Instrucciones Importantes de Seguridad

Los ventiladores con conductos siempre deben ventilarse al exterior.

PRECAUCIÓN

Sólo para uso general de ventilación. No utilizar para extraer materiales y vapores peligrosos o explosivos.

PRECAUCIÓN

Para reducir el riesgo de incendio y evacuar correctamente el aire, asegúrese de canalizar el aire hacia el exterior: no ventile el aire de salida en espacios dentro de las paredes o techos, áticos o en espacios de arrastre, o garajes.

ADVERTENCIA

PARA REDUCIR EL RIESGO DE INCENDIO, UTILICE ÚNICAMENTE CONDUCTOS METÁLICOS

ADVERTENCIA

PARA REDUCIR EL RIESGO DE INCENDIO DE LA GRASA DE LA COCINA:

- No deje nunca las unidades de superficie desatendidas en los ajustes altos. Los hervores causan humo y derrames de grasa que pueden encenderse. Caliente los aceites lentamente en ajustes bajos o medios.
- Encienda siempre la campana cuando cocine a fuego alto o cuando flamee alimentos (por ejemplo, Crepes Suzette, Cherries Jubilee, Peppercorn Beef Flambé).
- Limpie los ventiladores con frecuencia. No se debe permitir que la grasa se acumule en el ventilador o en el filtro.
- Utilice tamaños de ollas adecuados. Utilice siempre utensilios de cocina apropiados para el tamaño de la superficie del element

ADVERTENCIA

PARA REDUCIR EL RIESGO DE LESIONES A LAS PERSONAS EN CASO DE INCENDIO DE LA GRASA DE LA ENCIMERA, OBSERVE LAS SIGUIENTES PRECAUCIONES:*

- APAGUE LAS LLAMAS con una tapa ajustada, una bandeja para galletas o una bandeja metálica, y luego apague el quemador.
TENGA CUIDADO PARA EVITAR QUEMADURAS. Si las llamas no se apagan inmediatamente, EVACÚE Y LLAME AL DEPARTAMENTO DE BOMBEROS.
- NO AGARRES NUNCA UN SÁRTEN EN LLAMAS, puedes quemarte.
- NO USE AGUA, incluyendo paños de cocina o toallas mojadas - se producirá una violenta explosión de vapor. Utilice un extintor SÓLO si:
 - Usted sabe que tiene un extintor de clase ABC, y ya sabe cómo manejarlo.
 - El incendio es pequeño y está contenido en la zona donde se inició.
 - Se ha llamado a los bomberos.
 - Puedes luchar contra el fuego de espaldas a una salida.

*Basado en "Kitchen Fire Safety Tips" publicado por la NFPA.

ADVERTENCIA

Para reducir el riesgo de incendio o descarga eléctrica, no utilice este ventilador con ningún dispositivo de control de velocidad de estado sólido.

ADVERTENCIA

No deje que los niños se acerquen a este aparato. No deje que los niños jueguen con este aparato.

Mantenga todos los materiales de embalaje fuera del alcance de los niños. Deseche correctamente los materiales de embalaje después de desembalar el aparato.

NOTA

Adecuado para su uso en la zona de cocción del hogar.

Requisitos de instalación

Requisitos eléctricos

IMPORTANTE

Respete todos los códigos y ordenanzas vigentes.

Es responsabilidad del cliente:

- Para contactar con un instalador eléctrico cualificado.
- Para asegurarse de que la instalación eléctrica es adecuada y cumple con el Código Eléctrico Nacional, ANSI/NFPA 70 - última edición*, o las normas CSA C22.1-94, Código Eléctrico Canadiense, Parte 1 y C22.2 No.0-M91 - última edición** y todos los códigos y ordenanzas locales.

Si los códigos lo permiten y se utiliza un cable de tierra separado, se recomienda que un electricista cualificado determine que la trayectoria de la tierra es adecuada.

Se puede obtener una copia de las normas de los códigos anteriores en:

National Fire Protection Association

1 Batterymarch Park

Quincy, MA 02169-7471

CSA International

8501 East Pleasant Valley Road

Cleveland, OH 44131-5575

- Se requiere un circuito eléctrico de 120 voltios, 60 Hz., sólo CA, 15 amperios, con fusible.
- Si la casa tiene cableado de aluminio, siga el procedimiento siguiente.

1. Conecte una sección de cable de cobre sólido a los cables flexibles.
 2. Conecte el cableado de aluminio a la sección añadida de cable de cobre utilizando conectores y/o herramientas especiales diseñadas y homologadas por UL para unir cobre con aluminio.
- Siga el procedimiento recomendado por el fabricante del conector eléctrico. La conexión de aluminio/cobre debe cumplir con los códigos locales y las prácticas de cableado aceptadas por la industria.
 - Los tamaños de los cables y las conexiones deben ajustarse a la capacidad del aparato, tal como se especifica en la placa de características del modelo/serie. La placa de modelo/serie se encuentra detrás del filtro en la pared posterior de la campana extractora.
 - Los tamaños de los cables deben cumplir con los requisitos del Código Eléctrico Nacional, ANSI/NFPA 70 (última edición), o las normas CSA C22.1-94, Código Eléctrico Canadiense, Parte 1 y C22.2 N° 0-M91 (última edición y todos los códigos y ordenanzas locales).

Requisitos de instalación

Requisitos de ventilación

- El sistema de ventilación debe terminar en el exterior.
- No termine el sistema de ventilación en un ático u otra área cerrada.
- No utilice un tapón de pared tipo lavadero de 4" (10.2 cm).
- Utilice únicamente un respiradero metálico. Se recomienda un respiradero metálico rígido.
- No se recomienda la ventilación de plástico o de lámina metálica.
- La longitud del sistema de ventilación y el número de codos deben mantenerse al mínimo para proporcionar un rendimiento eficiente. Para un funcionamiento más eficiente y silencioso:
 - No utilice más de tres codos de 90°.
 - Asegúrese de que haya un mínimo de 30" (76.2 cm) de ventilación recta entre los codos si se utiliza más de un codo. No instale 2 codos juntos.
- Utilice abrazaderas para sellar todas las juntas del sistema de ventilación.
- El sistema de ventilación debe tener una compuerta. Si la tapa del techo o de la pared tiene un amortiguador, no utilice el amortiguador suministrado con la campana extractora.
- Utilice calafateo para sellar la pared exterior o la abertura del techo alrededor de la tapa.
- El tamaño de la ventilación debe ser uniforme.

Métodos de ventilación

Para utilizar la salida superior de la campana para ventilar su campana, se requiere un sistema de ventilación redondo de 10" (25,4 cm). Este sistema de ventilación no está incluido y debe adquirirse por separado.

NOTA

No se recomienda la ventilación flexible. El respiradero flexible crea una contrapresión y una turbulencia de aire que reduce en gran medida el rendimiento. El sistema de ventilación puede terminar a través del techo o de la pared.

Instale siempre una cubierta metálica de ventilación en el lugar donde los conductos salen de la casa. La campana debe ventilarse únicamente hacia el exterior del edificio.

Dirección de descarga

Esta campana viene ajustada de fábrica para ventilar a través del techo (descarga vertical) o de la pared (descarga horizontal).

Para ventilar a través de una pared, se necesita un codo de 90°.

Instrucciones para la instalación de conductos

Por razones de seguridad, los conductos deben ventilar directamente al exterior (no en un ático, debajo de la casa, en el garaje o en cualquier espacio cerrado). No supere los 15,24 m de conducto. Mantenga los conductos tan cortos y rectos como sea posible. Los codos y las transiciones reducen la eficacia del flujo de aire.

Los codos y los giros en forma de "S" dan un caudal muy pobre y no se recomiendan. Un tramo corto y recto de conducto en la entrada de un ventilador remoto proporciona el mejor caudal.

Recomendaciones de conductos

El rendimiento adecuado depende de una colocación correcta de los conductos.

Tiempo frío

Las instalaciones de clima frío deben tener una compuerta adicional para minimizar el flujo de aire frío hacia atrás y una rotura de puente térmico no metálica para minimizar la conducción de las temperaturas exteriores como parte de los conductos. La compuerta debe estar en el lado del aire frío de la rotura de puente térmico. La rotura debe estar lo más cerca posible del lugar en el que los conductos entran en la parte calentada de la casa.

Aire de reposición

Los códigos de construcción locales pueden requerir el uso de sistemas de aire de reposición cuando se utilizan sistemas de ventilación por conductos con un movimiento de aire superior a los CFM especificados. Los CFM especificados varían de una localidad a otra. Es responsabilidad del propietario y del instalador determinar si se aplican requisitos y/o normas adicionales a instalaciones específicas.

Requisitos de instalación

Opciones de conductos

La campana está equipada con una transición redonda de 10" (25.4 cm) para la descarga de los humos al exterior.

Siga estrictamente las instrucciones establecidas en este manual. Dacor no se hace responsable de eventuales inconvenientes, daños o incendios causados por el incumplimiento de las instrucciones de este manual.

Preparación

No corte una viga o montante a menos que sea absolutamente necesario. Si es necesario cortar una viga o un montante, debe construirse un marco de soporte.

Se suministra material de fijación para sujetar la campana a la mayoría de los tipos de paredes/techos.

Sin embargo, un técnico cualificado debe verificar la idoneidad de los materiales de acuerdo con el tipo de pared/techo.

Antes de realizar los recortes, asegúrese de que existe un espacio libre adecuado dentro del techo o la pared para la ventilación del escape.

Altura de montaje

⚠ PRECAUCIÓN

Monte esta campana de manera que el borde inferior por encima de la superficie de cocción esté a 30" (76.2 cm) como mínimo para una superficie de cocción de gas o 24" (60.9 cm) para una superficie de cocción eléctrica.

No hay una altura máxima de montaje, sin embargo, recomendamos montar la campana a no más de 36" (91.4 cm) por encima de la superficie de cocción. Por cada pulgada (2.54 cm) por encima de 36" (91.4 cm), la eficiencia de captura de humos y humedad disminuye a un ritmo creciente y puede no ofrecer un nivel aceptable de rendimiento de ventilación.

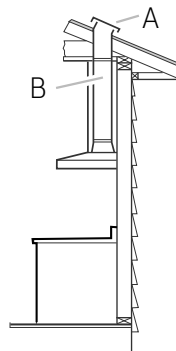
Esta campana está pensada para uso doméstico.

Compruebe la altura de su techo y la altura de la campana antes de seleccionarla.

Descarga horizontal

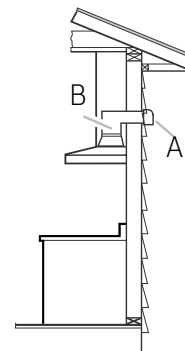
Se puede instalar un codo de 90° inmediatamente por encima de la campana.

Ventilación de techo



A. Tapa del techo
B. Ventilación redonda de 10" (25.4 cm)

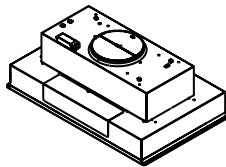
Ventilación de pared



A. Tapa de pared
B. Ventilación redonda de 10" (25.4 cm)

Requisitos de instalación

Qué hay en la caja



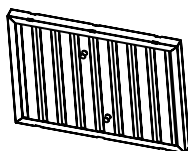
Montaje de la campana (1)



Bolsa de herramientas (1)



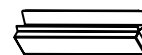
Separadores laterales (2)



Filtros
30" (2)
36" (2)
48" (3)



Literatura del producto (2)



Bandejas de goteo
30" (2)
36" (2)
48" (3)

Herramientas y piezas

Cómo quitar el embalaje.

⚠ PRECAUCIÓN

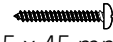
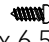


Retire el cartón con cuidado, use guantes para protegerse de los bordes afilados.

⚠ ADVERTENCIA

Retire la película protectora antes de la puesta en marcha.

Piezas suministradas

- Bolsa de herramientas con:

Parte #	Cant
 5 x 45 mm	4
 3.5 x 6.5 mm	6
 Ø 6.4 x 18 mm arandelas	4
 Cable de reducción de CFM	36" (1) 48" (1)

Piezas no suministradas

Herramientas/materiales necesarios

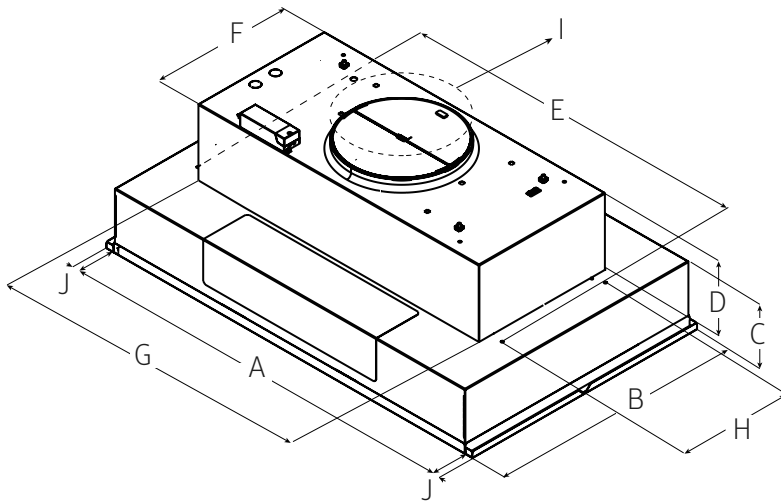
- Nivel
- Taladro con brocas de 1 1/4" (3,2 cm) y de 1/8" (3 mm)
- Lápiz
- Pelacables o cuchillo
- Cinta métrica o regla
- Alicates
- Pistola de calafateo y compuesto de calafateo resistente a la intemperie
- Abrazaderas de ventilación
- Sierra de calar
- Tijeras para metales
- Destornilladores:
 - Phillips
 - Plana - hoja

Piezas necesarias

- Cable de alimentación doméstico
- Alivio de tensión de 1/2" (12,7 mm) aprobado por UL o CSA
- 3 conectores de cable homologados por UL
- 1 tapa de pared o de techo
- Sistema de ventilación metálico

Requisitos de instalación

Dimensiones y espacios libres

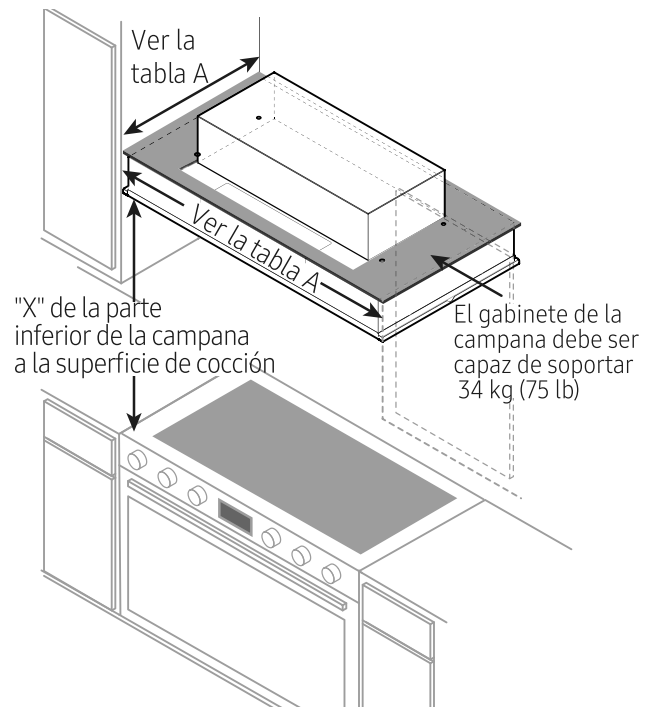


	Modelos		
	30"	36"	48"
A	28½" (72.1 cm)	34½" (87.4 cm)	46½" (117.8 cm)
B	22" (55.9 cm)		
C	5⅞" (13.8 cm)		
D	6½" (16.4 cm)		
E	22" (56 cm)	27⅞" (70 cm)	
F	12⅞" (31.4 cm)		
G	24⅝" (61.8 cm)	29⅓" (75.7 cm)	
H	10⅛" (25.7 cm)		
I	10" (25.4 cm)		
J	¾" (1.9 cm)		

Esta campana extractora tiene la flexibilidad de ser instalada de dos maneras diferentes, dependiendo de la medida de la anchura o área de trabajo entre el armario izquierdo y el derecho. Antes de comenzar, es importante determinar la dimensión de esta zona de trabajo y tener en cuenta las medidas detalladas en la siguiente tabla.

Tabla A

Modelos de Campana de Cocina	Ancho de la campana sin espaciadores	Ancho de la campana con espaciadores	Profundidad de la campana
30"	28½" (72 cm)	30" (76.2 cm)	22" (55.9 cm)
36"	34½" (87 cm)	36" (91.44 cm)	
48"	46½" (117.5 cm)	48" (121.92 cm)	



IMPORTANTE:

Distancia mínima "X": 24" (60,9 cm) de las superficies de cocción eléctricas.

Distancia mínima "X": 30" (76,2 cm) de las superficies de cocción de gas.

Instalación

Instrucciones de instalación

Recomendamos que un técnico cualificado instale la campana extractora. Es responsabilidad del instalador asegurarse de que la campana extractora cumple con las distancias de instalación especificadas para el producto.

- Se recomienda instalar el sistema de ventilación antes de instalar la campana.
- Si es posible, desconecte y retire cualquier aparato de cocción de debajo de la zona de la campana para facilitar el acceso a la pared posterior.
- Antes de hacer los recortes, asegúrese de que haya un espacio libre adecuado en el techo o la pared para la ventilación del escape.

- Confirme que todas las piezas de instalación han sido retiradas de la caja de envío.
1. Desconecte la alimentación en el panel de disyuntores o en la caja de fusibles.
 2. Determine el método de ventilación que va a utilizar: escape en el techo o en la pared.

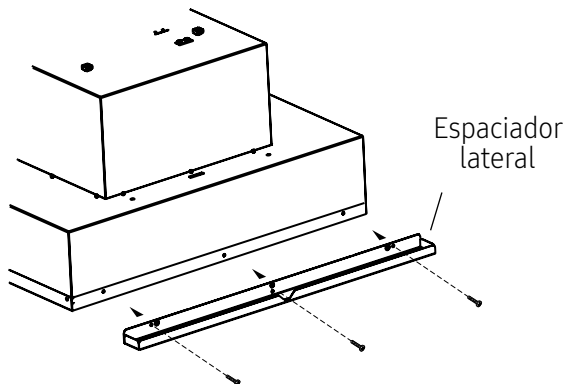
NOTA

Esta campana viene ajustada de fábrica para ventilar por la salida de aire superior.

3. Seleccione una superficie plana para montar la campana extractora. Coloque una cubierta sobre esa superficie.

Instalación del espaciador de la campana

- Puede alargar 3,8 cm (1,5") la anchura de su campana (1,9 cm ($\frac{3}{4}$ ") por lado), instalando los espaciadores de acero inoxidable incluidos con su campana.
 - Desembale el espaciador y retire la película protectora.
 - Coloque cada uno en el lado derecho y en el izquierdo
 - Fije los espaciadores de la campana al mueble de la campana y apriételos firmemente con 3 tornillos de 3,5 x 6,5 mm cada uno.
- Si el diseño de los armarios reduce el ancho de la abertura (es decir, - 28.5", 34.5" o 46.5") para instalar la campana, no se utilizan los espaciadores.
 - Si tiene una abertura de ancho completo (es decir, - 30", 36" o 48") para instalar la campana, debe utilizar los espaciadores.



Instalación

Preparar el lugar

- Desconecte la corriente eléctrica.
- Determine el método de ventilación que va a utilizar: escape en el techo o en la pared.
- Seleccione una superficie plana para montar el inserto de la campana. Coloque una cubierta sobre esa superficie.
- Se recomienda instalar el sistema de ventilación antes de instalar la campana.
- Antes de hacer los recortes, asegúrese de que haya un espacio libre adecuado en el techo o la pared para la ventilación del escape.
- El inserto de la campana debe instalarse a un mínimo de 24" (60.9 cm) por encima de una superficie de cocción eléctrica y a 30" (76.2 cm) por encima de una superficie de cocción de gas. La altura máxima recomendada sobre ambas placas de cocción es de 91.4 cm.
- Compruebe que todas las piezas de instalación han sido retiradas de la caja de transporte.
- Con la ayuda de 2 o más personas, levante el inserto de la campana sobre la superficie cubierta.
- Retire los filtros. Consulte la sección "Limpieza".

Instalar la campana extractora en el armario de la campana

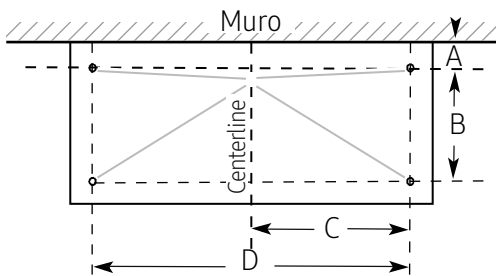
La campana extractora se fija al mueble de la campana mediante tornillos y arandelas de 4 - 5 x 45 mm.

NOTA

El gabinete de la campana debe ser capaz de soportar 34 kg (75 lb).

Preparar la campana extractora para el montaje en el gabinete

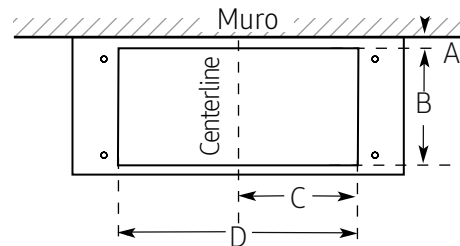
1. Marque las ubicaciones para los cuatro tornillos de montaje en el gabinete de la campana como se muestra a continuación.
2. Utilizando una broca de 1/8" (3 mm), perforo los 4 agujeros.



Dimensiones de los agujeros de montaje

Modelo	DIM A	DIM B	DIM C	DIM D	DIM E
30"	6" (15.5 cm)	10 1/16" (25.6 cm)	12 5/32" (30.9 cm)	24 5/16" (61.8 cm)	Ø 1/8" (3mm)
36"			14 15/16" (38 cm)	29 13/16" (75.8 cm)	
48"					

3. Marque el recorte para el orificio rectangular de separación de la carcasa del motor de la campana extractora superior, tal como se muestra.
4. Con una sierra de calar, recorte el orificio de paso rectangular para el alojamiento de la campana extractora superior.



Dimensiones de la carcasa del motor

Modelo	DIM A	DIM B	DIM C	DIM D
30"	4 1/4" (10.8 cm)	15 5/16" (38.9 cm)	7 5/8" (19.45 cm)	23 7/16" (59.5 cm)
36"			14 1/2" (36.8 cm)	28 15/16" (73.5 cm)
48"				

Instalación

1. Determine y realice todos los cortes necesarios en la pared o el techo para el sistema de ventilación. Instale el sistema de ventilación antes de instalar el inserto de la campana del armario. Consulte la sección "Requisitos de ventilación".
2. Determine el lugar por donde pasará el cable de alimentación a través de la pared.
3. Perfore un agujero de 3,2 cm en este lugar.
4. Pase suficiente cable de alimentación a través de la pared para permitir una fácil conexión a la caja de conexiones.
5. Retire la tapa de la caja de conexiones (A) y déjela a un lado.
6. Retire el orificio ciego de la parte superior de la campana de ventilación e instale un alivio de tensión de 1/2" (1,3 cm) aprobado por UL o CSA.
7. Coloque el inserto de la campana cerca de su posición de montaje y pase el cable de alimentación a través de la descarga de tensión hasta la caja de conexiones (lo suficiente para realizar la conexión).
8. Apriete el alivio de tensión.
9. Con la ayuda de 2 o más personas, levante el inserto de la campana en el gabinete de la campana.
10. Fije la campana con tornillos de 4 - 5 x 45 mm con arandelas al armario de la campana y apriételes bien.

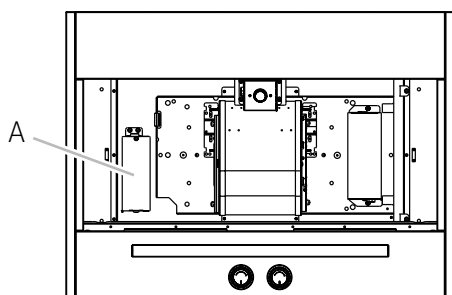
▲ ADVERTENCIA

PELIGRO DE PESO EXCESIVO

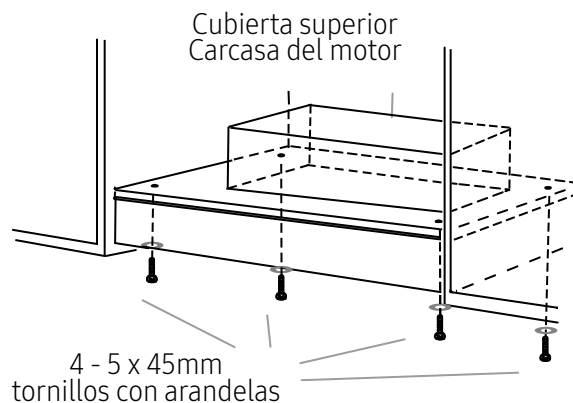
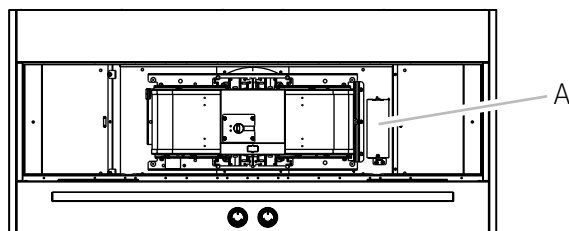
UTILICE DOS O MÁS PERSONAS PARA MOVER E INSTALAR EL INSERTO DE LA CAMPANA.

EL NO HACERLO PUEDE PROVOCAR LESIONES EN LA ESPALDA O DE OTRO TIPO.

Modelos de 30" de un solo ventilador



Modelos de doble ventilador de 36" y 48"



Instalación

Conexión eléctrica

▲ ADVERTENCIA

PELIGRO DE DESCARGA ELÉCTRICA.

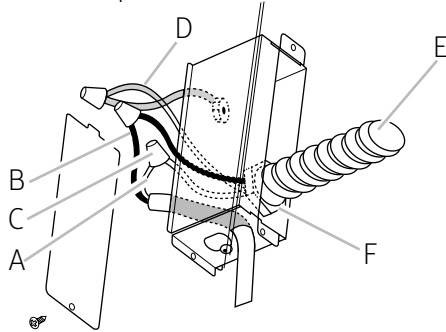
▲ ADVERTENCIA

DESCONECTE LA ALIMENTACIÓN ANTES DE REALIZAR EL MANTENIMIENTO.

SUSTITUYA TODAS LAS PIEZAS Y PANELES ANTES DE PONERLO EN FUNCIONAMIENTO.

NO HACERLO PUEDE PROVOCAR LA MUERTE O UNA DESCARGA ELÉCTRICA.

1. Desconecte la energía.
2. Localice la caja de conexiones en el interior de la inserción de la campana.



- | | |
|--|---|
| A. Cables blancos | E. Fuente de alimentación doméstica |
| B. Cables negros | F. Listado por UL o aprobado por CSA 1/2" (1.3 cm) de alivio de tensión |
| C. Conectores de cables con certificación UL | |
| D. Cables verdes, desnudos o amarillo/verde | |

3. Utilice conectores de cable homologados por UL y conecte los cables negros (B) entre sí.
4. Utilice conectores de cable homologados por UL y conecte los cables blancos (A) entre sí.

▲ ADVERTENCIA

CONECTE EL VENTILADOR A TIERRA ELÉCTRICAMENTE.

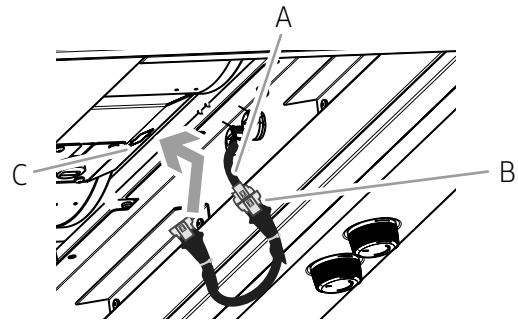
CONECTE EL CABLE DE TIERRA AL CABLE DE TIERRA VERDE Y AMARILLO EN LA CAJA DE CONEXIONES. EL NO HACERLO PUEDE PROVOCAR LA MUERTE O UNA DESCARGA ELÉCTRICA.

5. Conecte el cable de tierra verde (o desnudo) de la fuente de alimentación doméstica al cable de tierra verde/amarillo (D) de la caja de conexiones utilizando conectores de cable homologados por UL.
6. Instale la tapa de la caja de conexiones.
7. Vuelva a conectar la alimentación.

Reducción de CFM para modelos de 36" y 48"

1. Conecte un extremo del cable de reducción de CFM al extremo (A) del mazo de cables que sale de la campana extractora.
2. Conecte el otro extremo del cable de reducción de CFM a la conexión del ventilador (C).

Para obtener información adicional sobre la reducción de CFM de su nueva campana extractora, consulte el manual "Uso y cuidado".

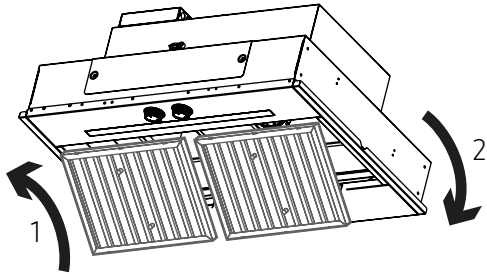


- A. Arnés de la campana
B. Extremo del cable de reducción de CFM
C. Conexión del ventilador

Instalación

Completar la instalación

1. Agarre las asas del filtro con ambas manos y luego coloque el borde delantero del filtro en la campana.
2. Empuje hacia arriba la parte posterior del mango y luego coloque la parte posterior del filtro en la bandeja de goteo para asegurarlo. Repita la operación con cada filtro.



Modelo mostrado sólo como referencia, características pueden variar

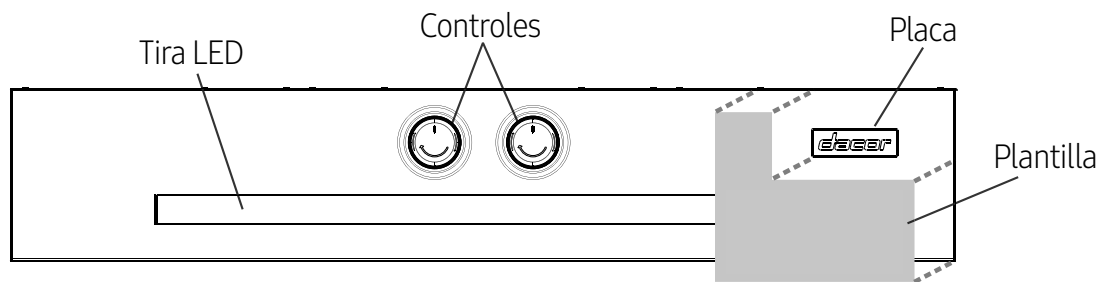
Coloque los filtros y compruebe el funcionamiento de la campana.

- Para obtener un uso más eficiente de su nueva campana extractora, lea el manual de "Uso y Cuidado".
- Mantenga estas instrucciones de instalación y la guía de uso y cuidado cerca de la campana extractora para facilitar su consulta.

Instalación

Coloque la placa Dacor

Utilice la plantilla de esta página para alinear la placa de identificación. Recorte la plantilla y péguela en la superficie frontal de la campana y verifique que la plantilla esté alineada con el lado derecho de la campana y dentro del borde superior e inferior de la superficie frontal. Practique la colocación de la placa de identificación antes de retirar el papel adhesivo.



Vista inferior del borde de la campana

NOTA: La placa tiene un adhesivo de muy alta retención - una vez que está pegada es extremadamente difícil de quitar.

Antes de retirar el papel de liberación de la parte posterior de la placa, practique la colocación de la placa en la posición correcta en la campana sin que se superpongan la placa y esta plantilla.

Después de esta práctica, retire el papel protector de la parte posterior de la placa y colóquela en la campana sin que se superpongan la placa y esta plantilla.

Retire y deseche esta plantilla.



Notas

Notas

Notas

dacor[®]
