

# INSTALLATION INSTRUCTIONS



## DXV Modulus™ Solid Surface Shower Base

Models: D16030STR, D16030STL, D16032STR,  
D16032STL, D14836STC

Thank you for selecting DXV. To ensure this product is installed properly, please read these instructions carefully before you begin. (Certain installations may require professional help.) Also be sure your installation conforms to local codes.

**▲ CAUTION: PRODUCT IS FRAGILE. TO AVOID BREAKAGE AND POSSIBLE INJURY HANDLE WITH CARE!**

### RECOMMENDED TOOLS AND MATERIALS

Most of the procedures require the use of common tools and materials, which are available from hardware and plumbing supply stores. It is essential that the tools and materials be on hand before work has begun.

#### Tools

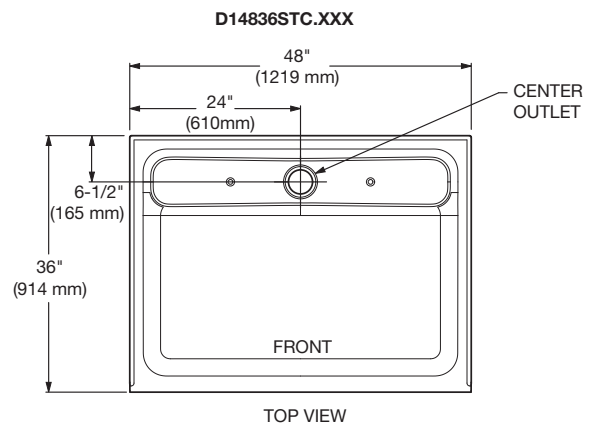
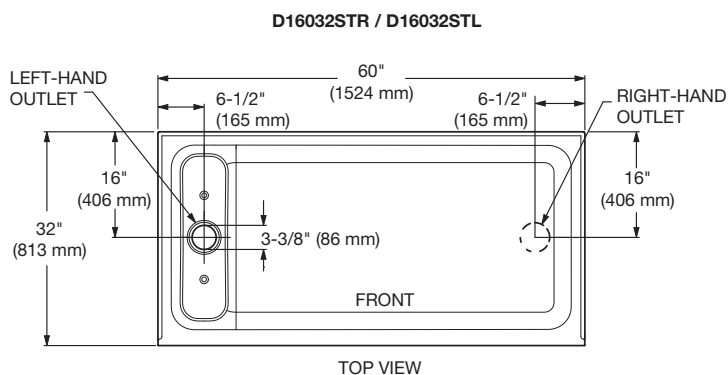
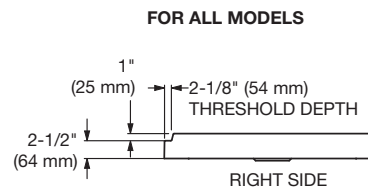
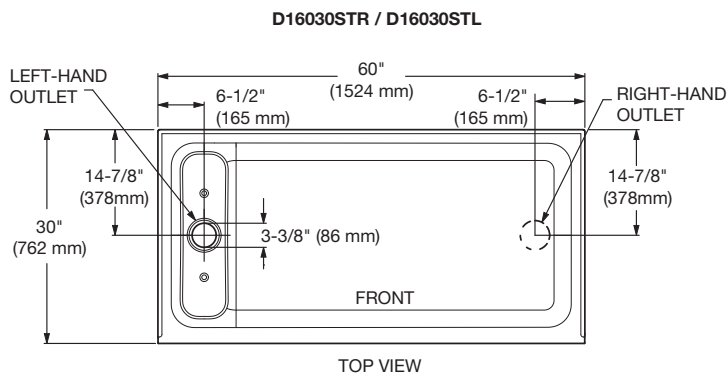
- Level
- Pencil
- Square
- Tape Measure
- Pipe Wrench
- Slip Joint Pliers
- Screw Driver
- Standard Woodworking Tools
- Personal Safety Equipment
- Caulking Gun

#### Materials

- Silicone Sealant
- Drop Cloth
- Mortar Mix or Grout

The opening dimensions should be at least 1/8" larger than dimensions shown.  
For the best fit, the opening measurements should be verified against the actual shower base received.

### ROUGH-IN REFERENCES



SAVE FOR FUTURE USE

# 1

Ensure that the floor and stud walls are square and plumb on a level floor as shown in **Figure A**. Provide a 6" x 6" (152 x 152 mm) opening in the floor for the drain and refer to the product chart for actual drain location. The lower portion of the drain mount must fit into the 6" x 6" opening. Check by dry fitting the shower base in the final location. Draw a line 3-1/2" (89 mm) above the level subfloor on the wall studs at each side of the opening.

**NOTE:** Shower pans are to be installed on sub-floors not finished floors. Shower pans will drain properly provided they are installed on a level surface. Check the floor with a long level. A long level is more likely to detect level of sub-floor at it's greatest dimensions. Check front-to-back at the left and right sides and at the center. Repeat for side-to-side dimensions. Finally check the diagonals. Depending on the results, some additional prep work may be necessary.

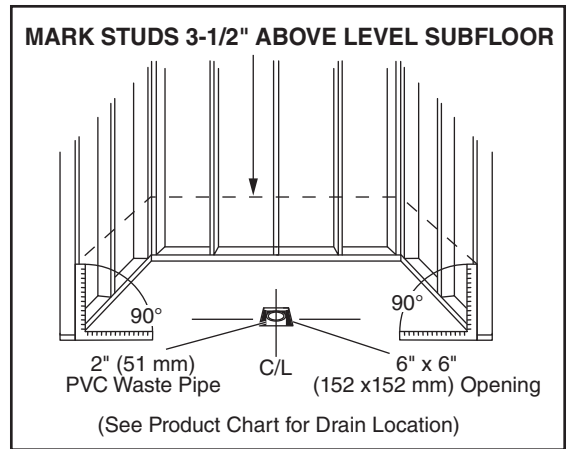


FIGURE A

# 2

Shower bases require purchasing a round shower strainer type drain for use with a standard 2" (51mm) plastic schedule 40 waste pipe. **Figure B** shows the typical drain assembly. Before installing drain into the shower base, remove strainer **Figure B**. This will be installed after shower base is in its final position. Cut the wastepipe height so that the drain body will fit snug in the shower base. Apply silicone sealant between the drain body and shower base and follow all of the drain manufacturer's recommended installation details.

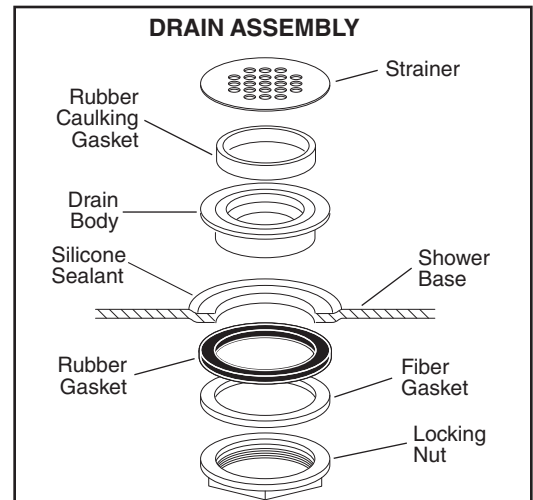


FIGURE B

# 3

Mix a non-shrinking bedding material such as mortar and apply enough bedding material to support the entire bottom of the shower base.

**Concrete is NOT recommended. The shower base is NOT to be supported by the base flange.**

**NOTE:** Do not nail, screw or drill through the flange.

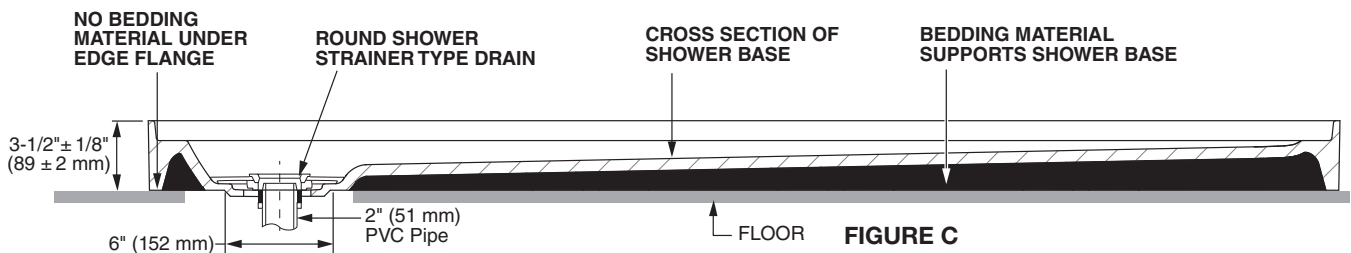


FIGURE C

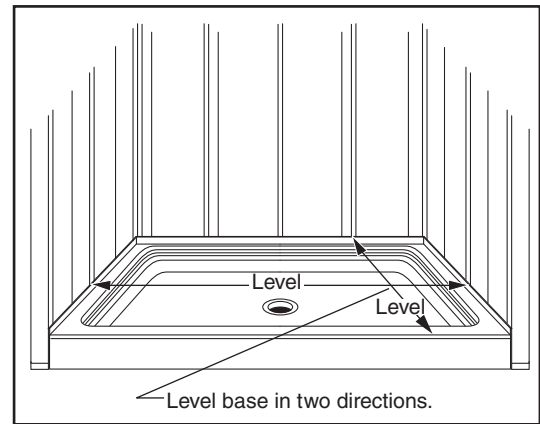
4

After the bedding material has been poured and before it sets, lower the shower base into position with the drain assembly sliding over the waste pipe **Figure C**. It will be necessary to "rock" the shower base until the top of the tile flange aligns with the lines drawn on the stud walls from **Step 1**. Make sure the apron is contacting the rough floor along the entire length of the shower base and ensure that the base is level in two directions as shown in **Figure D**.

**NOTES:** Allow the bedding material to completely harden before applying weight to the bottom of the shower base.

Place strainer back into place and conduct a water test of drain and plumbing to ensure there are no leaks.

**FIGURE D**



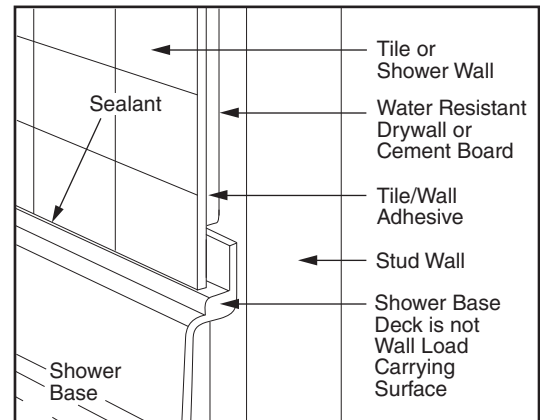
5

Tape over the shower base drain trench to protect the finish and prevent construction debris from entering the drain and finish the shower base installation as shown in **Figure E**. Any finish material such as tile or wallboard must be self-supporting if it contacts the deck of the shower base **Figure E**.

Install the water resistant drywall while keeping approximately 1/4" (6 mm) to 1/2" (13 mm) of clearance between the shower base and drywall to prevent any possible water from wicking.

**NOTE:** Once the finish material is complete, place the Trench cover in the trough.

**FIGURE E**



## POST INSTALLATION CLEAN-UP

Remove all construction debris. Tile grout can be removed with a wooden popsicle stick or tongue depressor. Do not use wire brushes or any other metal implement on surface.

Post installation clean-up generally can be completed using warm water and liquid dishwashing detergent. Stubborn dirt or stains may be removed using granular Spic and Span® mixed with water.

Painter's naphtha can be used to remove excess adhesives and/or wet oil-base paint.

## AFTERCARE AND CLEANING

- The product should be regularly cleaned with a damp cloth with a mild detergent cleaner.

**WARNING:** Hair dye, "colored" cosmetics (such as mascara, lipstick, face powder, etc.) can create slight discoloration if not removed immediately from the surface of the product.

- The product should be cleaned with a damp cloth.
- The product is sensitive to the following chemicals: caustic soda (mainly present in drain openers), strong solvents such as acetone, methanol, methylene chloride, potassium permanganate, as well as various agents containing dye.
- Water temperature should not exceed 120 degrees fahrenheit.
- Do not allow limescale to deposit on the surface. Such stain should be removed with widely available cleaning agents (containing no dye) designed for that purpose.
- Stains can be removed by sanding with a very fine sand paper (400 grit).
- In the case of the product equipped with waste cover, pay extra attention to the care and maintenance of the space under the cover. It is recommended to clean the bottom of the cover and the place where the surface of the product and the cover are in contact at least once a week.

**In the United States:**

DXV  
One Centennial Avenue  
Piscataway, New Jersey 08855  
Attention: Director of Customer Care

For residents of the United States, warranty information may also be obtained by calling the following toll free number: (800) 227-2734  
[www.DXV.com](http://www.DXV.com)

**In Canada:**

DXV  
5900 Avebury Road  
Mississauga, Ontario  
L5R 3M3  
Canada

Toll Free: 1-800-387-0369  
Local: 905-306-1093  
Fax: 1-800-395-1498

**In Mexico:**

DXV  
Via Morelos 330  
Col. Santa Clara Coatitla  
Ecatepec, Estado de México 55540

Toll Free: 01-800-8391200  
[www.DXV.mx](http://www.DXV.mx)