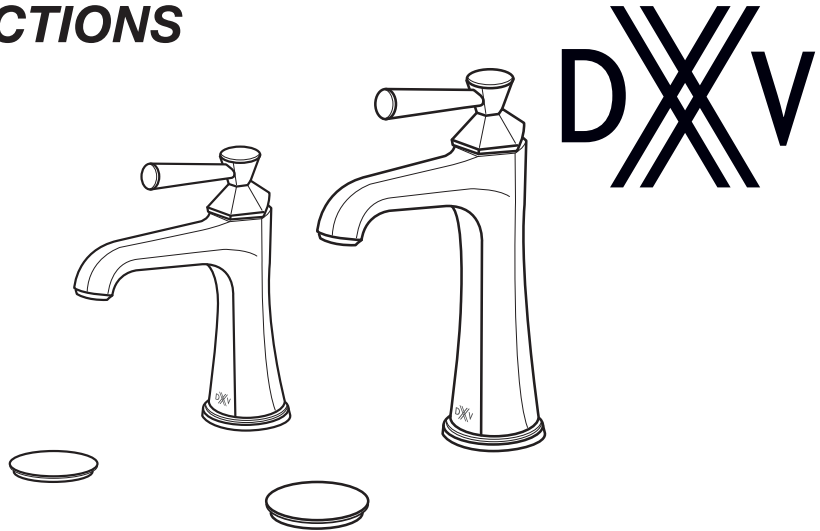


INSTALLATION INSTRUCTIONS

Fitzgerald® Single Lever Lavatory and Vessel Faucets

Models D35160102
D35160152

Thank you for selecting DXV. To ensure that your installation proceeds smoothly, please read these instructions carefully before you begin.



DXV

RECOMMENDED TOOLS AND MATERIALS

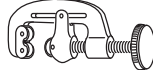
Most of the procedures require the use of common tools and materials, which are available from hardware and plumbing supply stores. It is essential that the tools and materials be on hand before work is begun.



Adjustable Wrench



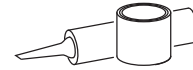
Channel Locks



Tubing Cutter



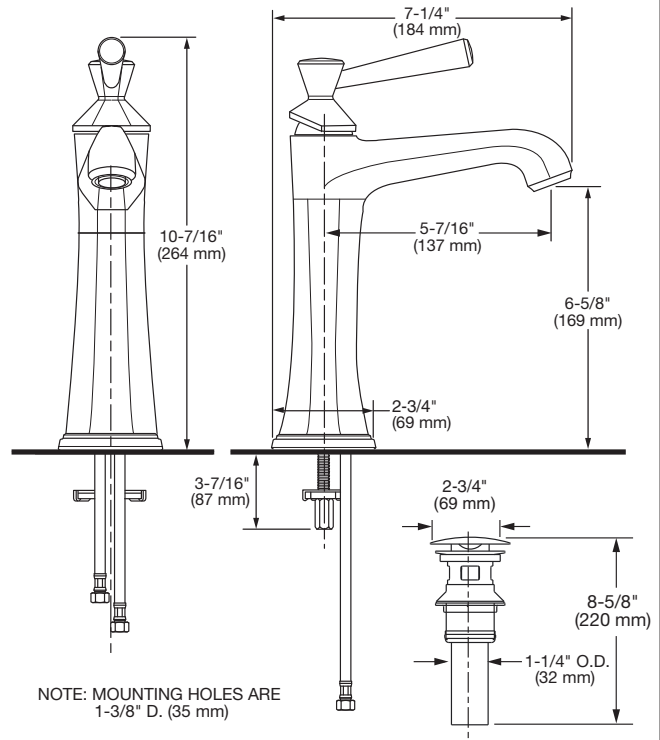
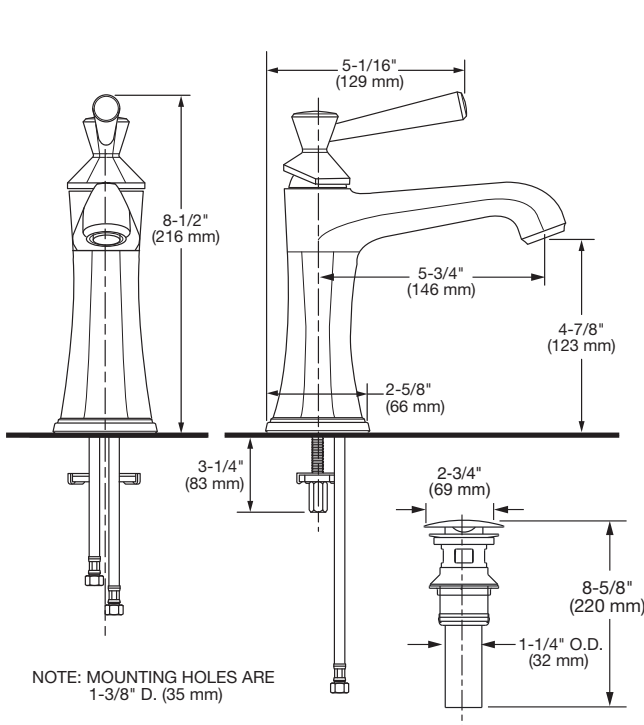
Flat Blade Screwdriver



Plumber's Putty or Caulking

ROUGHING-IN DIMENSIONS:

• For reference



In the United States:

DXV
One Centennial Avenue
Piscataway, New Jersey 08855
Attention: Director of Customer Care

For residents of the United States, warranty information may also be obtained by calling the following toll free number: (800) 227-2734
www.DXV.com

In Canada:

DXV
5900 Avebury Road
Mississauga, Ontario
L5R 3M3
Canada

Toll Free: 1-800-387-0369
Local: 905-306-1093
Fax: 1-800-395-1498
www.DXV.ca

In Mexico:

DXV
Via Morelos 330
Col. Santa Clara Coatitla
Ecatepec, Estado de México 55540

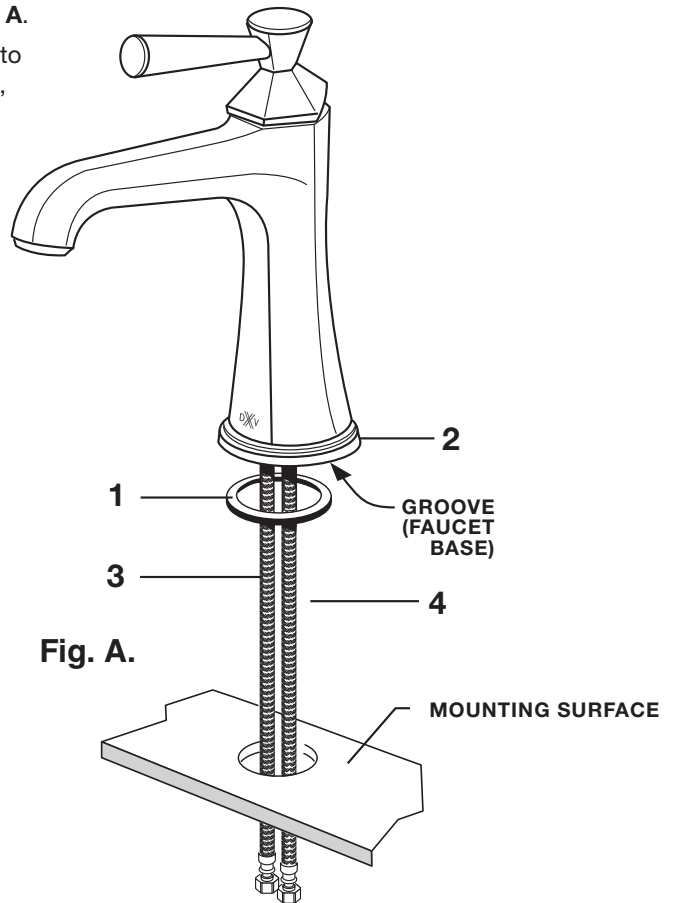
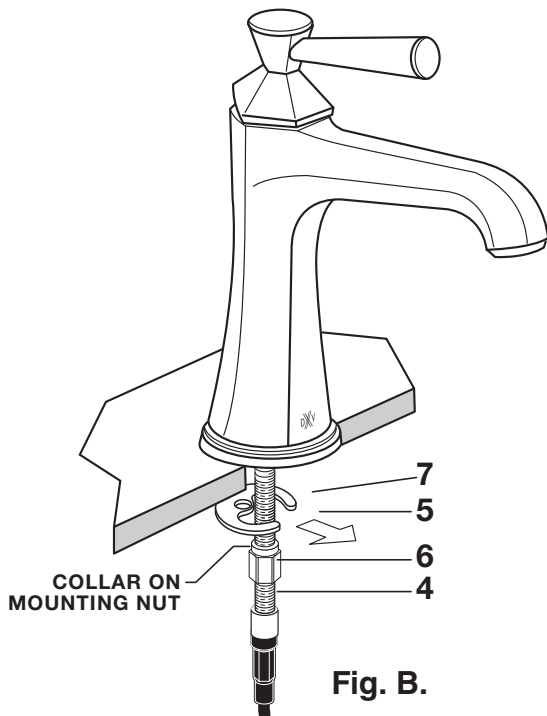
Toll Free: 01-800-8391200
www.DXV.mx

SAVE FOR FUTURE USE

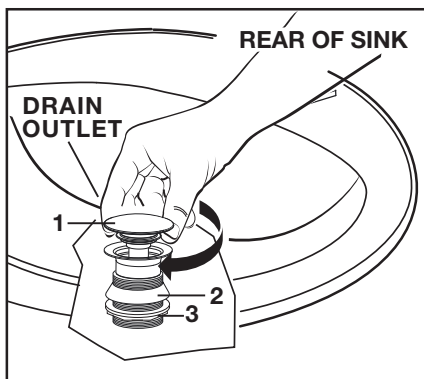
1 INSTALL FAUCET (LAVATORY AND VESSEL FAUCETS)

CAUTION Turn off hot and cold water supplies before beginning.

- Seat SEAL (1) into under side of FAUCET BASE (2).
- Feed FAUCET SUPPLIES (3) and MOUNTING STUD (4) through the mounting hole of lavatory or mounting surface. **Fig. A.**
- From below, push GASKET (7) and RETAINING WASHER (5) onto MOUNTING STUD (4). Secure Faucet with MOUNTING NUT (6), pulling faucet to front of sink, so SUPPLIES (3) resets against mounting hole. Before final tightening, make sure collar on MOUNTING NUT (6) is seated into RETAINING WASHER (5). **Fig. B.**
- Adjust Faucet so that it is centered. Tighten MOUNTING NUT (6) to complete faucet mounting.



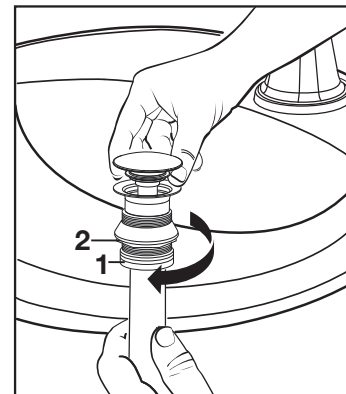
2 INSTALL DRAIN FROM BELOW FIXTURE



- Install DRAIN (1) by dropping it from the top of the sink.
- From under side of SINK install GASKET (2) and MOUNTING NUT (3).

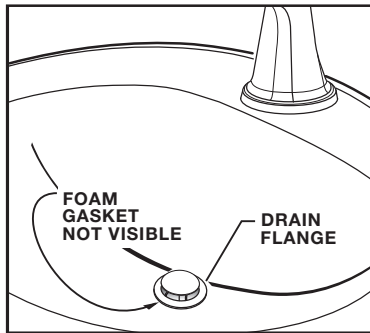
Note: Plumber's putty or caulk is recommended.

3



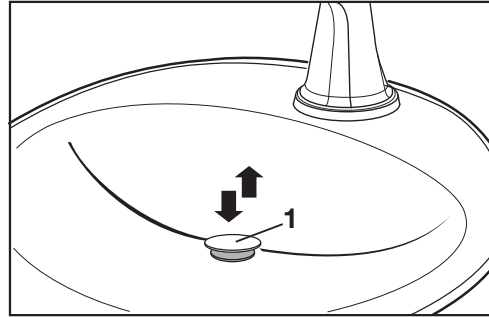
- Thread TAIL PIECE NUT (1) clockwise onto DRAIN BODY (2).

4 FLANGE GASKET AND POP-UP KNOB



- Check DRAIN FLANGE in SINK to ensure that FOAM GASKET (3) is fully compressed and not visible.

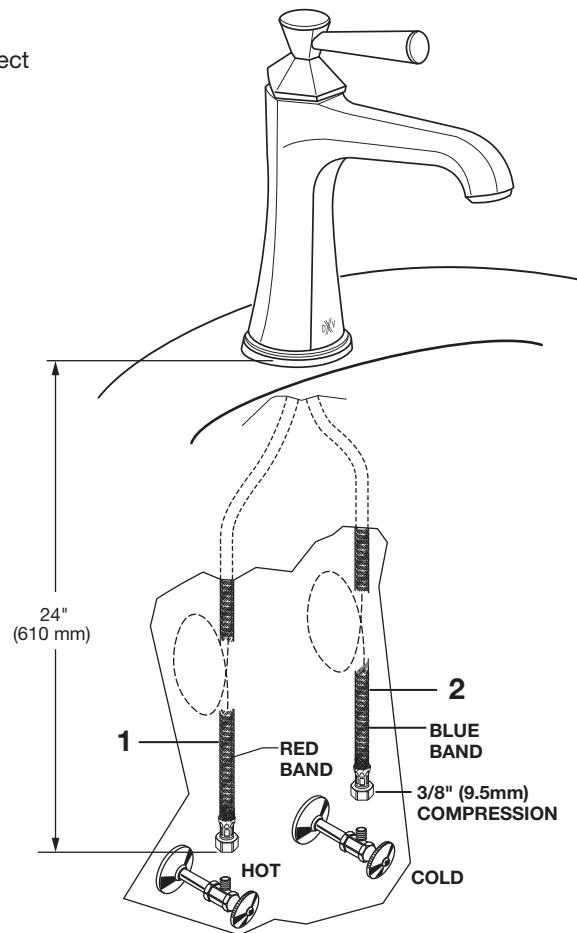
5 CHECK OPERATION OF POP-UP



- Operate DRAIN STOPPER (1) to verify that it opens and closes.

6 MAKE WATER SUPPLY AND WASTE CONNECTIONS

- Connect FLEXIBLE SUPPLIES (1, 2) directly to wall supplies. Connection on fitting supplies are 3/8" (10 mm) compression. Connect left SUPPLY (1) to Hot (Marked with a Red Band) and right supply to COLD (2) wall supply.
 - Faucet supplies are 24" (610 mm) long from faucet base.
- Note:** If additional supply length is required, installer must purchase additional parts separately.
- Important:** If SUPPLY HOSES (1, 2) are to long, loop as illustrated to avoid kinking.
- Connect 1-1/4" O.D. (32 mm) tailpiece on POP-UP DRAIN to waste outlet.

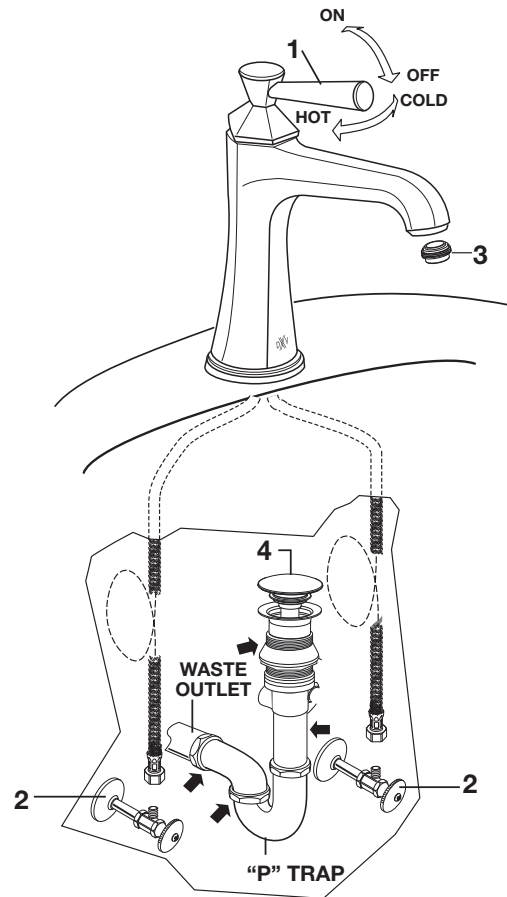


7 TEST INSTALLED FITTING

- Move HANDLE (1) into "off" position.
- Remove AERATOR (3) and clean if necessary.
- Turn on water supplies (2) and check all connections for leaks. ➡
- Operate HANDLE (1) to flush water lines thoroughly.
- Replace AERATOR (3).

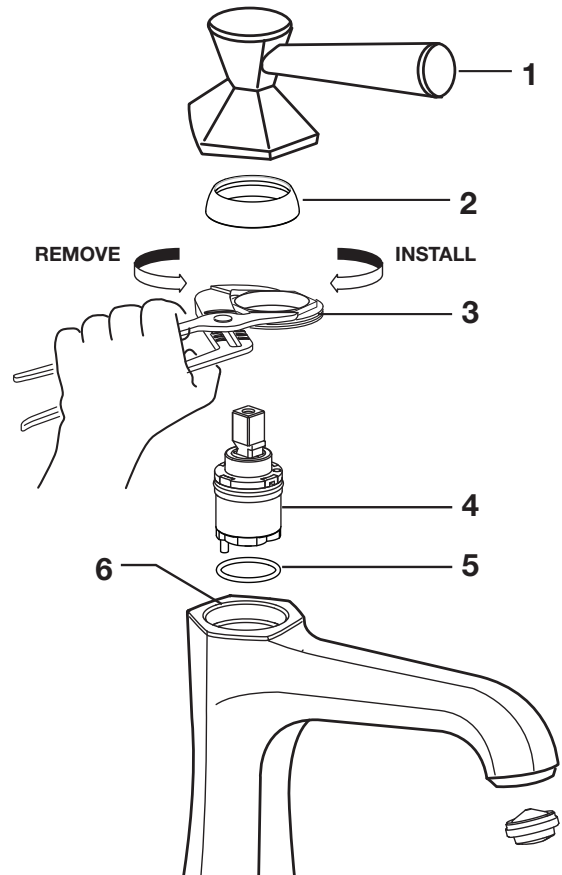
CHECK DRAIN CONNECTIONS

- Operate DRAIN STOPPER (4) and fill lavatory with water. Check that DRAIN STOPPER (4) makes a good seal and retains water in Sink.
- Release DRAIN STOPPER (4) down and check all drain connections and "P" trap for leaks. ➡ Tighten if necessary.



8 SERVICE **CAUTION** Turn off hot and cold water supplies before beginning.

- To remove or replace cartridge:
 - Turn valve to OFF position.
 - Pull off HANDLE (1) and CAP (2).
 - Unthread CARTRIDGE NUT (3) and remove.
 - Pull out CARTRIDGE (4).
 - Inspect CARTRIDGE (4) and O-RINGS (5) for debris and clean if necessary.
 - Clean MANIFOLD (6) and rinse clean.
 - Reinstall CARTRIDGE (4) and O-RINGS (5) onto MANIFOLD (6).
 - Reinstall CARTRIDGE NUT (3), CAP (2) and HANDLE ASSEMBLY (1).
- If spout drips, operate handle several times from OFF to ON and HOT to COLD position. Do not force - handle turns only 90°.



9 CARE INSTRUCTIONS:

DO: SIMPLY RINSE THE PRODUCT CLEAN WITH CLEAR WATER. DRY WITH A SOFT COTTON FLANNEL CLOTH.

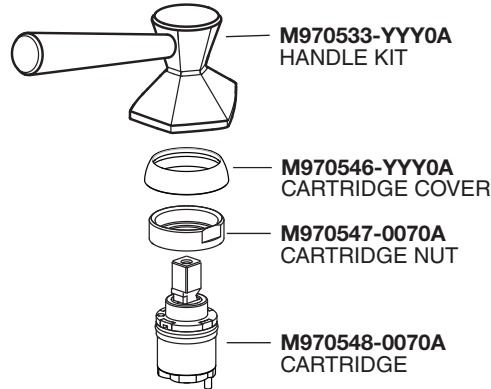
DO NOT: DO NOT CLEAN THE PRODUCT WITH SOAPS, ACID, POLISH, ABRASIVES, HARSH CLEANERS, OR A CLOTH WITH A COARSE SURFACE.



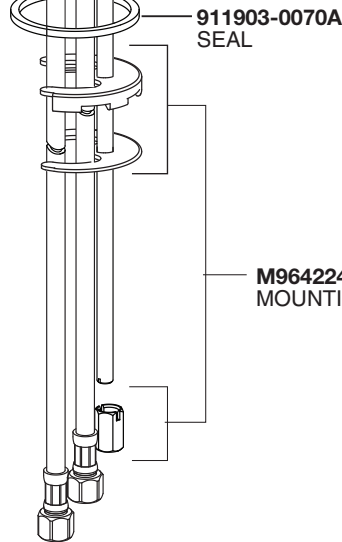
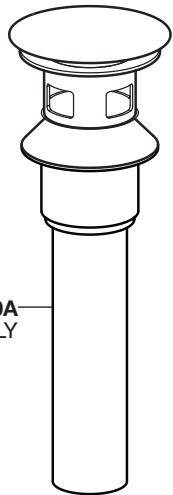
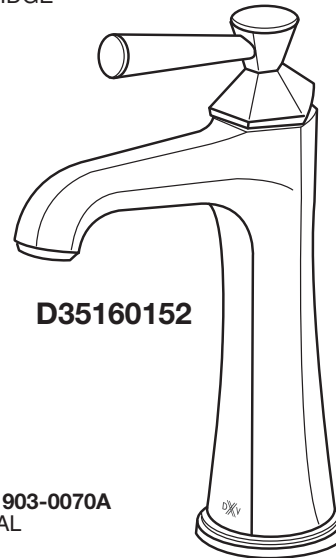
Fitzgerald®
Single Lever Lavatory
and Vessel Faucets

MODEL NUMBERS

D35160802
D35160852



D35160102



Replace the “YYY” with appropriate finish code

| | |
|-----------------|-----|
| POLISHED CHROME | 100 |
| BRUSHED NICKEL | 144 |
| PLATINUM NICKEL | 150 |