



AMERICAN STANDARD

FRESNO™ BAR FAUCET



- Ceramic disc valve cartridge
- Lead Free - faucet contains ≤ 0.25% total lead content by weighted volume
- 5-1/4" swivel spout
- Spout swivels at 150°
- Single function pull-down hose
- Two check valves
- Cover plate must be ordered separately
- Maximum Flow Rate: 1.8 GPM (8.3L/min)

CODES AND STANDARDS

Meets or Exceeds ASME A112.18.1/
CSA B125.1/NSF 61/Section 9

Certified Compliant with 0.25% Weighted
Average Lead Content Regulations

OPTIONAL COMPONENT

H960748.XXX 10" Cover Plate

DESCRIPTION

Single Control Bar Faucet
with Pull-Down Spray

PRODUCT NUMBER

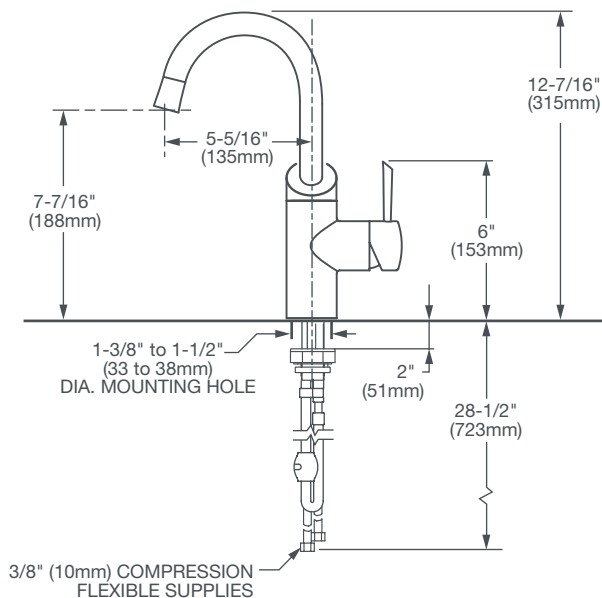
D35403410.XXX

AVAILABLE FINISHES

Polished Chrome
Ultra Steel

FINISH CODE

100
355



IMPORTANT: These measurements are subject to change or cancellation.
No responsibility is assumed for use of superseded or voided pages.

©2014 AS America Inc.



Meets the Americans with Disabilities Act
Guidelines and ANSI A117.1 Requirements
for the physically challenged.