

AIR COOKING SERIES GOLDEN INDUCTION COOKTOP



BRIDGE ZONES



TEMPERATURE MANAGER



WIRELESS CONNECTIVITY



POT DETECTOR



TOUCH CONTROL



STOP & GO

ELICA'S EXCLUSIVE PLUS FEATURES

A line of induction cooktops with contemporary designs that offer unique features, enhanced convenience and performance. Elica induction cooktops come equipped with STREAM technology, which is a wireless sensor system that connects the cooktop with select Elica hoods. Stream transmits information to the hood about burner settings, heat, moisture and will automatically regulate the blower speed to achieve optimum ventilating performance.



PLUS FEATURES



POT DETECTOR - Automatically detects a pot on cooking zones and sends a signal to the hood. Elica hoods with STREAM technology will turn on automatically.



TOUCH CONTROL - Enjoy effortless cooking, and fully control each cooking zone with the tip of a single finger.



TEMPERATURE MANAGER - For speed and convenience, pre - set cooking zones to automatically turn on to a desired temperature



WIRELESS CONNECTIVITY - Wireless technology allows the transmission of real time information about cooking (active zones, pots, temperature), to your hood. Elica hoods with STREAM technology will process data and function totally automatically.



BRIDGE ZONES - Bridge Zones can work individually or automatically combine into an extra large zone that accommodates larger pots and pans. No need to worry about pot size, the cooking surface adapts for you.



STOP & GO - Allows you to turn off the cooktop, walk away, return later and restart the cooktop with cooking zones automatically returning to their original temperature settings.

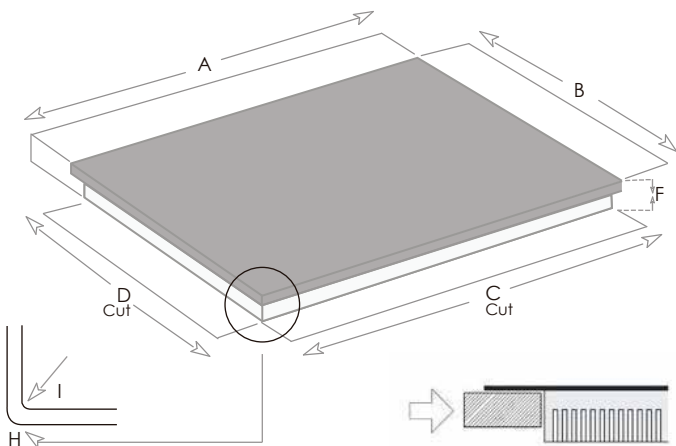
AIR COOKING SERIES GOLDEN INDUCTION COOKTOP



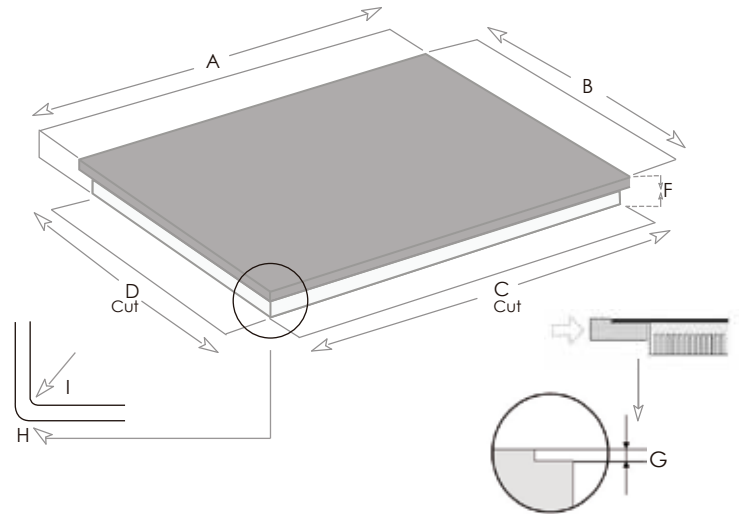
SPECIFICATIONS

	24" Unit	30" Unit	36" Unit
Model:	EGL324BL	EGL430BL	EGL536BL
Dimensions:	23 3/4" x 20 3/4"	29 3/4" x 20 3/4"	35 3/4" x 20 3/4"
Cooking Zones:	3 Cooking Zones + 1 bridge zone	4 Cooking Zones + 1 bridge zone	5 Cooking Zones + 2 bridge zones
Finish:	Black Glass		
Controls:	Electronic glass touch with finger glide function		
Installation Type:	Self Rimming or Flush Mounted		
Electrical:	208 - 240 V - 60 Hz 7.7 kW at 32.1 Amps 6.7 kW at 32.2 Amps	208 - 240 V - 60 Hz 7.7 kW at 32.1 Amps 6.7 kW at 32.2 Amps	208 - 240 V - 60 Hz 11.5 kW at 47.9 Amps 10 kW at 48.1 Amps

SELF RIMMING INSTALL



FLUSH MOUNTED INSTALL



	EGL324BL	EGL430BL	EGL536BL
A	23 3/4"	29 3/4"	35 3/4"
B	20 3/4"	20 3/4"	20 3/4"
C	Min: 21 15/16" Max: 22 1/8"	Min: 28 9/32" Max: 28 1/2"	Min: 33 11/16" Max: 33 15/16"
D	Min: 19 7/32" Max: 19 19/32"	Min: 19 7/32" Max: 19 19/32"	Min: 19 7/32" Max: 19 19/32"
F	2 15/16"	2 15/16"	2 15/16"
G	1/4"	1/4"	1/4"
H	1 1/8"	1 1/8"	1 1/8"

	EGL324BL	EGL430BL	EGL536BL
A	23 3/4"	29 3/4"	35 3/4"
B	20 3/4"	20 3/4"	20 3/4"
C	Min: 21 15/16" Max: 22 1/8"	Min: 28 9/32" Max: 28 1/2"	Min: 33 11/16" Max: 33 15/16"
D	Min: 19 7/32" Max: 19 19/32"	Min: 19 7/32" Max: 19 19/32"	Min: 19 7/32" Max: 19 19/32"
F	2 15/16"	2 15/16"	2 15/16"
G	1/4"	1/4"	1/4"
H	1 1/8"	1 1/8"	1 1/8"
I	1/4"	1/4"	1/4"