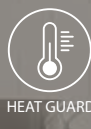
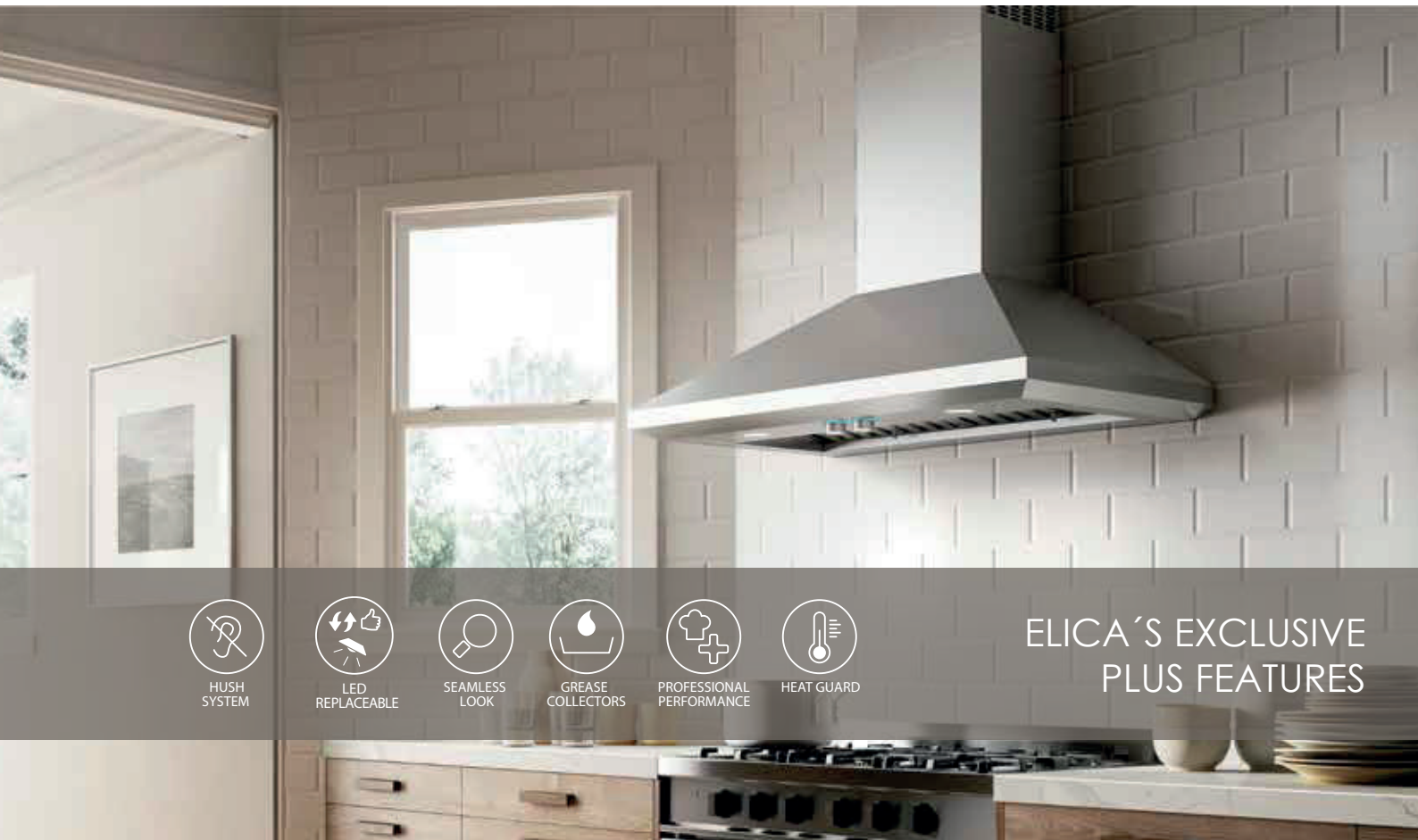


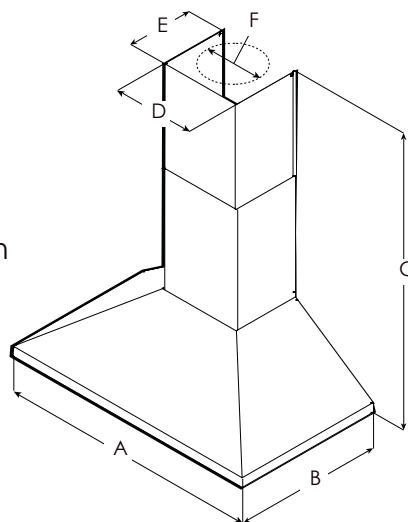
ELICA PRO SERIES LEONE



ELICA'S EXCLUSIVE PLUS FEATURES

Give a splash of Italian design to your professional kitchen with Leone's crisp lines, seamless welded corner craftsmanship, beveled rim and gleaming stainless steel.

Leone has the extra depth (24") and power (1200 CFM on 36", 42" & 48" W) & 36" in 600 CFM needed to support professional ranges and cooktops. No ear plugs required with Leone's HUSH sound suppression system, which enables you to comfortably talk and entertain, even when cooking up a storm. Available in 30", 36" and 42" widths, Leone features backlit hidden knob controls, which operate the 4-speed blower and LED lighting. Designed for standard ducted ventilation only.



$\geq 24''$

$\geq 27''$

MOUNTING
HEIGHT
RANGE

	ELN630S2	ELN636SS ELNI 36S2	ELN142S2	ELN148SS
A	30" (76.2 cm)	36" (91.4 cm)	42" (106.7 cm)	48" (121.9 cm)
B	24" (61 cm)			
C	Max: 47 5/8" (120.9 cm) Min: 30" (76.2 cm)			
D	13 7/16" (33.2 cm)			
E	10 5/8" (27 cm)			
F	8" (20.3 cm)			

ELICA PRO SERIES LEONE



SPECIFICATIONS

	30" Unit	36" Unit	42" Unit	48" Unit
Model:	ELN630S2	ELN636SS (600 CFM) ELN136S2 (1200 CFM)	ELN142S2	ELN148SS
Dimensions:	30"W x 24"D x 12 1/8"H	36"W x 24"D x 12 1/8"H	42"W x 24"D x 12 1/8" H	48"W x 24"D x 12 1/8" H
Blower Type(internal):	600 CFM(4-speed)	600 CFM & 1200 CFM (4-speed)	1200 CFM(4-speed)	1200 CFM(4-speed)
Blower Performance:				
Speed 1	205 CFM	205 CFM 375 CFM	375 CFM	375 CFM
Speed 2	350 CFM	350 CFM 640 CFM	640 CFM	640 CFM
Speed 3	510 CFM	510 CFM 940 CFM	940 CFM	940 CFM
Speed 4	600 CFM	600 CFM 1200 CFM	1200 CFM	1200 CFM
Noise (sones): Woking Speed	Min:2.01, Max:6	Min: .8 , Max: 9.5	Min:3.21, Max:7.7	Min:3.21, Max:7.7
Finish:	Stainless Steel			
Controls:	Fully retractable rotating knobs with blue backlighting			
Illumination: (replaceable lamps 1 intensity)	2 LED, 7.5 Watts	2 LED, 6.5 Watts (ELN636SS) 2 LED, 7.5 Watts (ELN136S2)	2 LED, 7.5 Watts	2 LED, 7.5 Watts
Filter Type:	Dishwasher-Safe, Professional Stainless Steel, Angles baffled filters			
Angled Baffle Filters:	1	2	2	3
Duct Transition:	8" Round with BackDraft Damper (top only)			
Installation Type:	Ducted Installation Only			
Electrical:	120V - 60 Hz			
KITS: Long Chimney Ext.	KIT02785 (13') & KIT01935 (11' 4")			
1200 CFM External Blower	KIT0153054			
1200 CFM In Line Blower	KIT0154387			
Replacement Grease Filter (1):	GF09EA			
Replacement Light Bulb (1):	LMP0131098	LMP0131098A (ELN636SS) LMP0131098 (ELN136S2)	LMP0131098	LMP0131098
	*Consumable parts are sold in units of one (1). Order accordingly			
INSTALL HEIGHTS:				
Ranger Hood:	Min: 8´, Max 10´			
Ranger Hood with extension duct covers:	Min: 9´9", Max 13´			

PLUS FEATURES



HUSH SYSTEM - An exclusive sound deadening technology that effectively reduces sound levels by over 35%



LED CONSUMER REPLACEABLE BULB - High quality LED lighting usually requires a skilled technician to replace lamps. Avoid this expense with Elica's new LED lamps that enable homeowners to replace in seconds



SEAMLESS CRAFTSMANSHIP - Heavy gauge stainless steel "Seamless" construction that delivers refined elegance.



STAINLESS STEEL BAFFLE FILTERS WITH GREASE COLLECTORS - Designed for high airflow cooking, the "S" shape design traps high volumes of grease



PROFESSIONAL PERFORMANCE - Special features and high performances for models with aspiration capacity between 600 and 1200 CFM's



HEAT GUARD - Senses extreme temperatures (>158 degrees) and automatically adjusts the blower speed to HIGH

*The product images shown are for illustration purposes only and may not be an exact representation of the product.