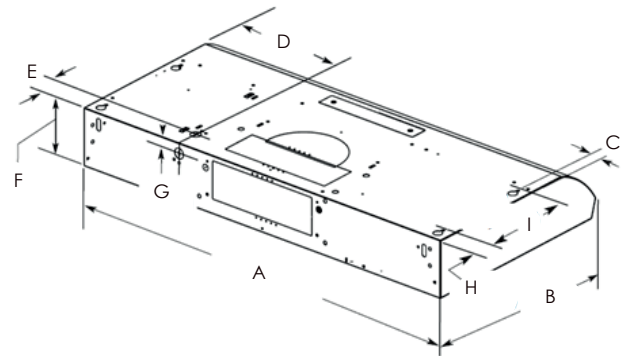




ELICA'S EXCLUSIVE PLUS FEATURES

Fusaro has a slender 5" height and soft curves, designed to modernize and perfectly fit kitchens where space is premium. A 2-speed, 190 CFM internal blower provides sufficient ventilating power for most kitchens. Color coordinated rocker switches control blower speeds and 75 Watt incandescent lightning. The anodized aluminum mesh grease filter is dishwasher safe and simple to remove and re-install. Fusaro is designed for standard ducted or recirculating installations.



	EFS130S1
A	30"
B	18 ⁵ / ₈ "
C	1"
D	9 ⁹ / ₁₆ "
E	2"
F	4 ⁵ / ₁₆ "
G	1"
H	1 ¹ / ₂ "
I	9"



SPECIFICATIONS

Width:	30" Unit
Model:	EFS130S1
Dimensions:	30" W x 18 5/8" D x 5" H
Blower Type(internal):	190 CFM (2 -speed)
Noise (sones):	4.1 Sones
Finish:	Stainless Steel
Controls:	Rocker Switch
Illumination:	1.75 w Incandescent lamp, 1 intensity (bulb not Included)
Filters:	Dishwasher-Safe, Anodized Aluminum Mesh Filter Includes (1) combination aluminum mesh & carbon filter for recirculating installations
Duct Transition:	3 1/4" x 10" (Top or Rear), or 7" round (sold separately)
Installation Type:	Ducted Out or Recirculating Installation
Electrical:	120 V - 60 Hz, 110 W
KITS:	
Duct transition:	KIT02722 (7" round)
Back Draft Damper:	KIT02723 (7" round)
No return valve:	KIT02724 (10" x 3 1/4" rectangular)
WARRANTY:**	Two (2) Years Parts & In-Home Labor. Earn an additional One (1) Year of Parts & In-Home Labor by registering on elica.com.

PLUS FEATURES



3X LAYER GREASE FILTER - Elica aluminum mesh filters are a step above competition, featuring triple layered, anodized aluminum that is woven into a highly dense mesh. The thick mesh captures more grease, anodization helps resist staining and provides durability to repeated cleanings in the dishwasher.

* The product images shown are for illustration purposes only and may not be an exact representation of the product.

** For valid warranty extension, register within 3 months from purchase. For USA & Canada Users Only.