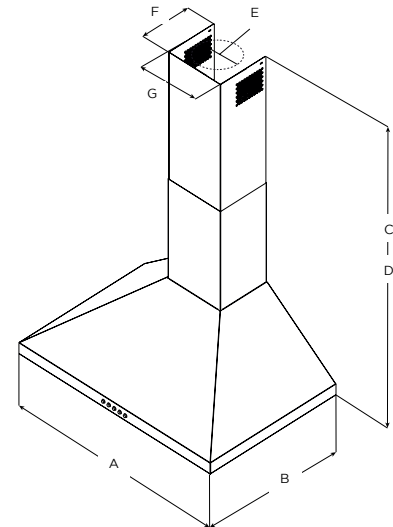




- CFM  
REDUCTION
- DIM LIGHT
- TOUCH  
CONTROL
- HUSH  
SYSTEM
- TOP  
PERFORMANCE
- LED LIGHT

ELICA'S EXCLUSIVE  
PLUS FEATURES

The clean lines, beautiful sloping angles and stainless steel finish of Varna make a striking visual statement. Available in 30" or 36" width, Varna features include a powerful 600 CFM blower, LED dimmable lighting, dishwasher-safe stainless steel microhole filter, and easy to use glass capacitive touch controls that deliver convenience and safety. Designed for standard ducted installation, Varna can also be installed with recirculating system using the kit available as an accessory.



|     | EVR630S2                                       | EVR636S2      |
|-----|--|---------------|
| A   | 30" (76.2 cm)                                  | 36" (91.4 cm) |
| B   | 19 11/16" (50 cm)                              |               |
| C*  | Max: 42 1/8" (107 cm)<br>Min: 28 9/16" (72 cm) |               |
| D** | Max: 38 3/16" (97 cm)<br>Min: 28 9/16" (72 cm) |               |
| E   | 6" (15.24 cm)                                  |               |
| F   | 7 3/16" (18.3 cm)                              |               |
| G   | 8 3/16" (20.8 cm)                              |               |

\*Ductless  
(Recirculating)  
version

\*\*Ducted version



- ≥27"
- ≥30"

MOUNTING  
HEIGHT  
RANGE

SPECIFICATIONS



|  | 30" Unit   | 36" Unit                        |
|--|--|---------------------------------|
| Model:   | EVR630S2   | EVR636S2                        |
| Dimensions:  | 30" W x 19 11/16" D x 10 1/4" H  | 36" W x 19 11/16" D x 10 1/4" H |
| Blower Type(internal):   | 600 CFM(4-speed)   |                                 |
| Blower Performance:  |  |                                 |
| Speed 1  | 160 CFM  |                                 |
| Speed 2  | 280 CFM  |                                 |
| Speed 3  | 470 CFM  |                                 |
| Speed 4  | 600 CFM  |                                 |
| Noise (sones):   | Min: 1.93, Max: 6  |                                 |
| Woking Speed   |  |                                 |
| Finish:  | Stainless Steel with Black Glass                                       |                                 |
| Controls:  | Touch Control 3 Speeds + Booster                                       |                                 |
| Illumination:  | 2 LED Premium Dimmable Lights, 2.5 w                                   |                                 |
| Filter Type:   | Dishwasher-Safe, Stainless Steel Microhole Filter                      |                                 |
| Electrical:  | 120V - 60 Hz   265 Watt at 2 Amp                                       |                                 |
| Installation Type:   | Ducted or Recirculating with Recirculating Kit (sold separately)       |                                 |
| Duct Transition:   | Top Round 6"   |                                 |
| KITS:  |  |                                 |
| Recirculating Kit<br>(Contains 6" deflector<br>& 2 Round Carbon Filters) | KIT02766   |                                 |
| Chimney Extension Kit:   | KIT02762   |                                 |
| CONSUMABLE PARTS:  |  |                                 |
| Charcoal Filter<br>Replacement:  | FB016A   |                                 |
| Grease Filter<br>Replacement:  | GF04YB   |                                 |
| Consumable parts are sold in units of one (1). Order accordingly         |  |                                 |
| INSTALL HEIGHTS:   |  |                                 |
| Ranger Hood:   | Ducted - Min: 7'5", Max: 9'1"   Recirculating - Min: 7'5", Max: 9'6"   |                                 |
| Ranger Hood with<br>extension duct covers:                               | Ducted - Min: 8'5", Max: 11'3"   Recirculating - Min: 8'6", Max: 11'7" |                                 |

PLUS FEATURES



**CFM REDUCTION** - CFM Reduction System (CRS), is an exclusive feature to Elica hoods, which enables the user to reduce directly in the glass touch control the maximum blower CFM, to meet local code requirements.



**HUSH SYSTEM** - An exclusive sound deadening technology that effectively reduces sound levels up to 35%, compared to typical range hoods.



**DIM-LIGHT** - The Dimmer allows you to adjust the brightness of the light as you wish. With Elica, lighting is customized in a discreet, personal and practical way, in order to contribute in creating the perfect kitchen atmosphere.



**TOP PERFORMANCE** - Excellent performance for models equipped with this plus. High fume capturing capacity with an average aspiration range of 600 CFM's. with low noise levels, 1.2 - 1.7 sones at working speed.



**ELECTRONIC TOUCH CONTROLS** - Enjoy the modern design and convenience of multi-function electronic touch controls, which are discreetly hidden behind sleek black glass, and will illuminate a soft blue when activated.



**LED LIGHT** - LED lighting is undoubtedly the smartest solution in terms of energy saving. Expected life time of over 20.000 hours, represents the most remarkable advantage of LED light bulbs.