



**MODEL: DSC2K  
COLUMN TAP**

**STANDARD FEATURES**

- Two 316 stainless steel taps
- Sleek and functional counter mount design
- For use with CARBONATION CHILLER, DSFBF180K, under-the-counter chilling unit
- Polished chrome plated brass body
- All stainless steel water path
- Adjustable flow control located on tap

**SPECIFICATIONS**

• Model Type	Countertop
• Materials	Stainless steel & brass
• Inlet Water Line	Two inlet lines, sparkling and chilled, 3/8" tubing connection
• Dispense height	12 inches

Item No: _____	Qty. _____
Model No: _____	
Project No: _____	

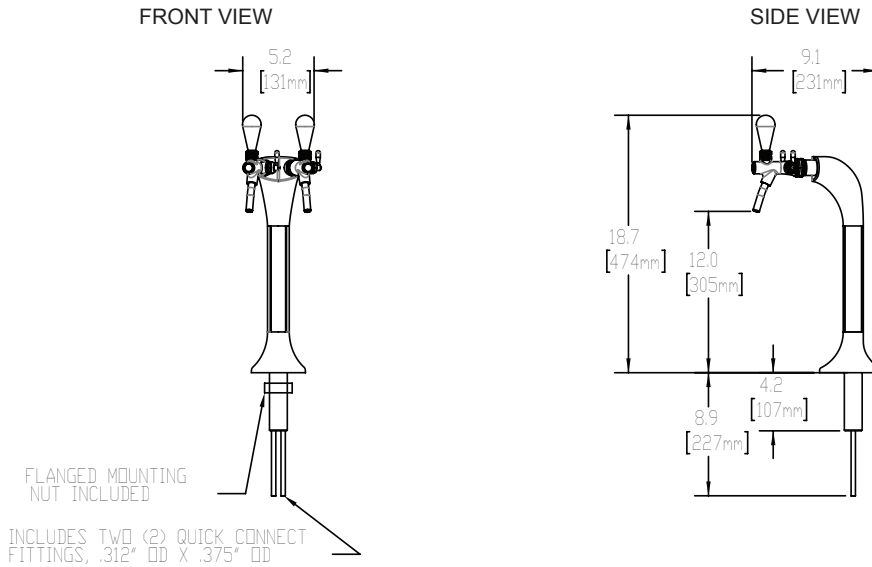
*In keeping with our policy of continuing product improvement, Elkay reserves the right to change product specifications without notice.*

*This specification describes an Elkay product with design, quality and functional benefits to the user. When making a comparison of other producers' offerings, be certain these features are not overlooked.*

Elkay  
2222 Camden Court  
Oak Brook, IL 60523  
Phone: 800.416.4106

elkay.com  
© 2015 Elkay Manufacturing Company

**MODEL: DSC2K  
COLUMN TAP**



For connection to Elkay **CARBONATION CHILLER** only. Not to be connected directly to main water supply or other chillers. Customer to provide mounting hole in countertop. Mounting hole diameter 1-3/8" to 1-1/2". Additional support is recommended for sheet metal or counter tops under 3/4" thick.

<u>DIMENSIONS</u>	<u>Unit</u>	<u>Shipping</u>
Height	18.7 (in.)	28.3(in.)
Width	5.2 (in.)	6.7 (in.)
Depth	9.1 (in.)	6.7 (in.)
Weight	9 (lbs.)	11 (lbs.)

**INSTALLATION KIT (INCLUDED)**

- installation and operating instructions
- Mounting Nut
- Tubing fittings 3/8" X 3/8" push to connect, Qty. (2)

Item No: _____ Qty. _____
Model No: _____
Project No: _____

Elkay  
2222 Camden Court  
Oak Brook, IL 60523  
Phone: 800.416.4106

elkay.com  
© 2015 Elkay Manufacturing Company