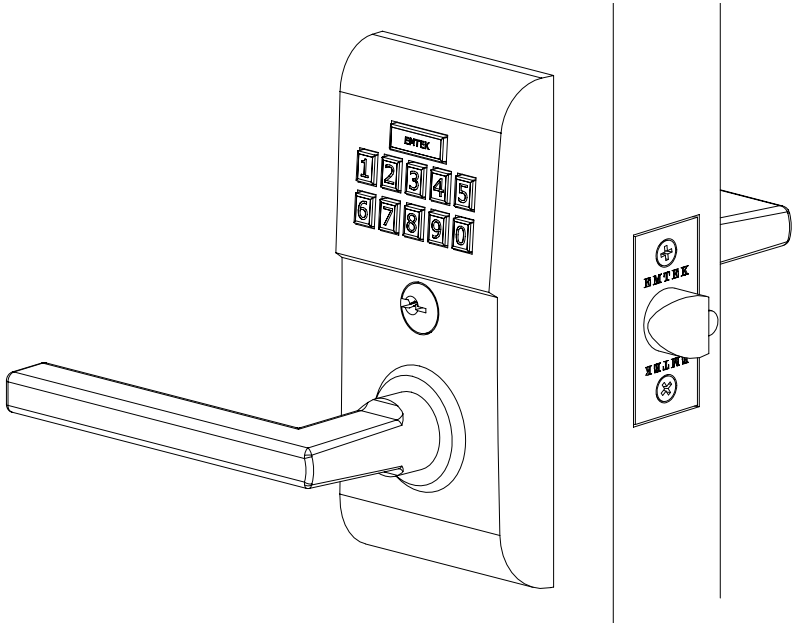
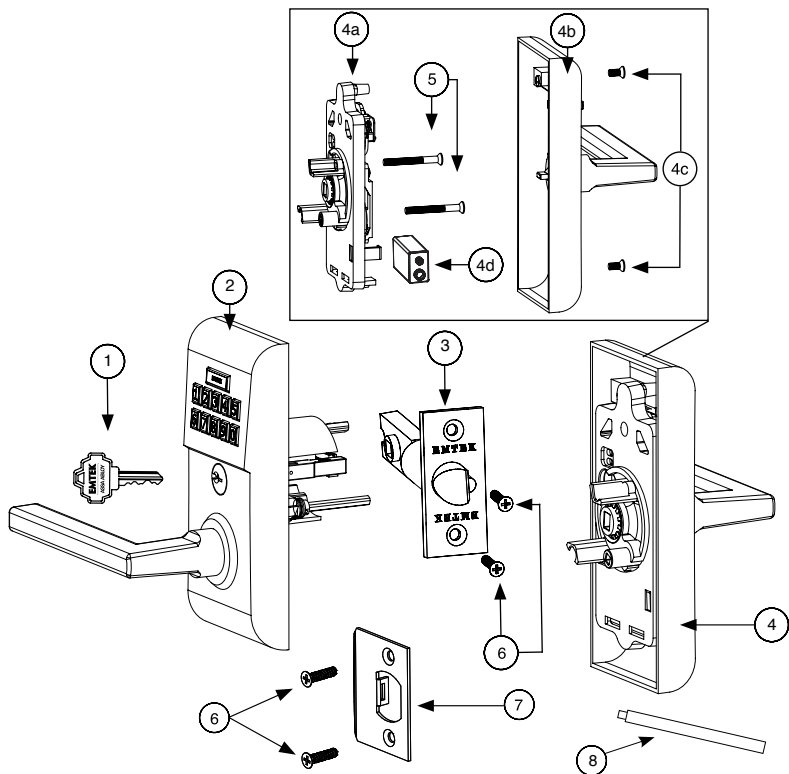


Installation & Programming Guide

Modern Keypad Lever Locksets



What's in the Box

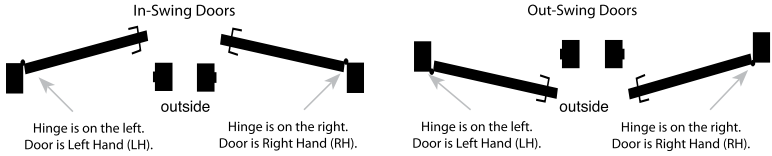


| ITEM NO. | DESCRIPTION | QTY. |
|----------|---|------|
| 1 | Key | 2 |
| 2 | Outside Trim Plate Assembly | 1 |
| 3 | Latch Assembly 2 3/8" or 2 3/4" Backset | 1 |
| 4 | Inside Trim Plate Assembly | 1 |
| 4a | Inside Chassis | 1 |
| 4b | Inside Trim Plate | 1 |
| 4c | #8-32 x 3/8" Flat Head Machine Screw | 2 |
| 4d | 9V Alkaline Battery | 1 |
| 5 | #8-32 x 1 1/2" Flat Head Machine Screw | 2 |
| 6 | #8 x 3/4" Wood Screw | 4 |
| 7 | Strike Plate | 1 |
| 8 | Plastic Extender | 1 |

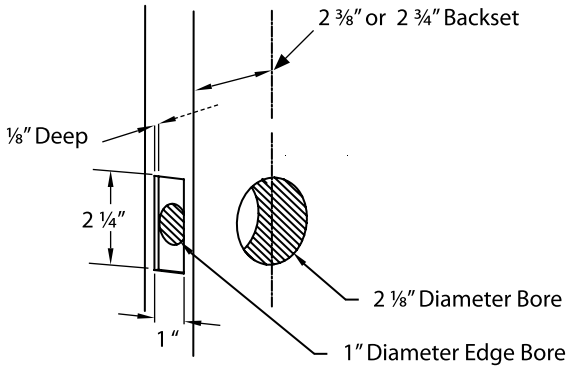
Preparation

1. Confirm Handing

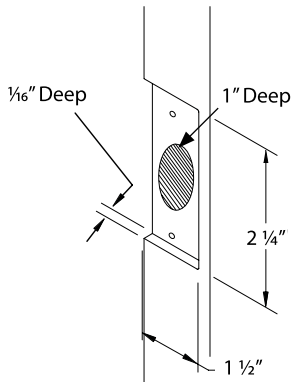
HANDING OF DOOR IS ALWAYS DETERMINED FROM THE OUTSIDE



2. Door Prep



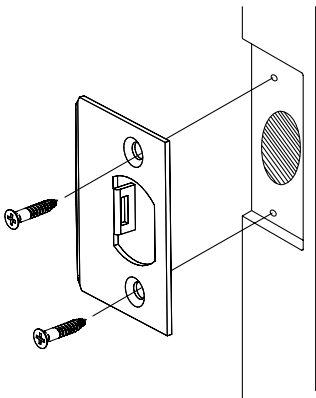
3. Door Jamb Prep



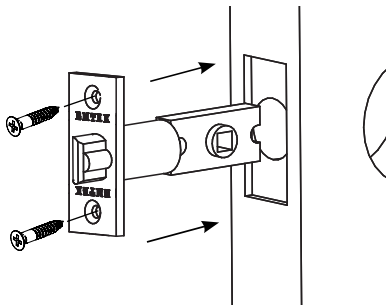
How to Install

1. Install Strike Plate & Latch

Step 1: Fasten Strike Plate using two #8 x 3/4" Wood Screws (item #6).



Step 2: Fasten Latch using two #8 x 3/4" Wood Screws (item #6).

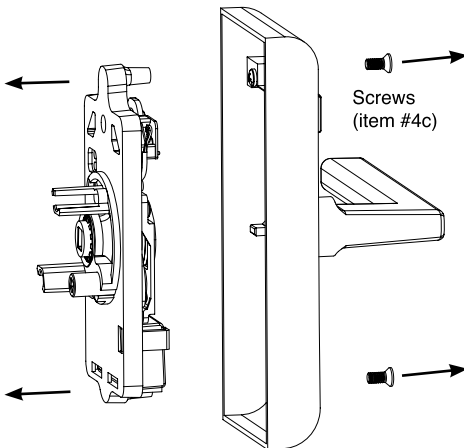
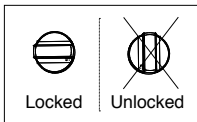


2. Remove Screws from Inside Trim Plate

Use a Phillips head screwdriver to remove screws (item #4c) shown below and detach Inside Trim Plate from the Inside Chassis.

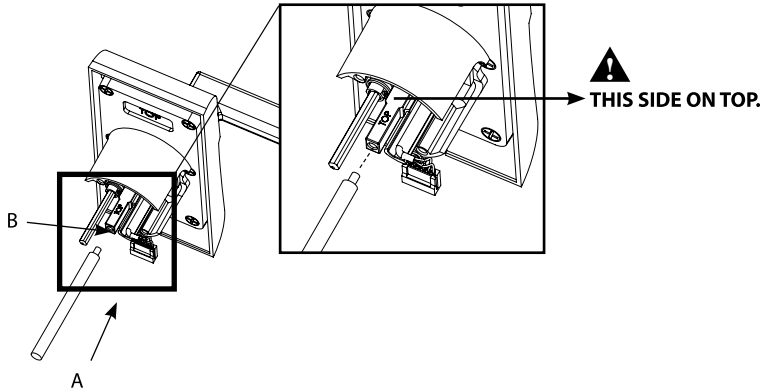


REMOVE INSIDE CHASSIS FROM TRIM PLATE BEFORE INSTALLING THE OUTSIDE TRIM. THUMBTURN MUST BE IN LOCKED POSITION.



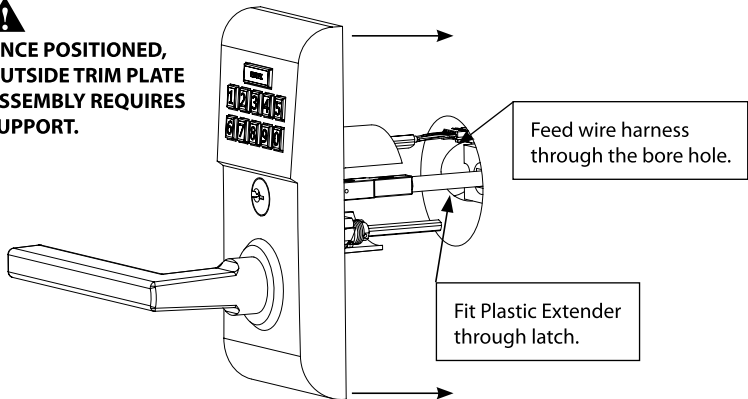
3. Install Outside Trim Plate Assembly

Step 1: While holding Outside Trim Plate Assembly, Press the Plastic Extender (A) into end of Spindle Shaft (B). The Shaft is properly aligned when the marking 'TOP' can be seen from an overhead view.



Step 2: Position the Outside Trim Plate Assembly through the bore hole.

!
**ONCE POSITIONED,
OUTSIDE TRIM PLATE
ASSEMBLY REQUIRES
SUPPORT.**



Step 3: With the Outside Trim Plate Assembly flush to the door, **REMOVE** the Plastic Extender.

4. Install Inside Chassis

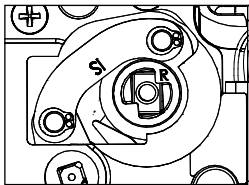
Step 1: Confirm the position of Cam Link.



CAM LINK MUST REMAIN IN THE CORRECT POSITION DURING INSTALLATION.

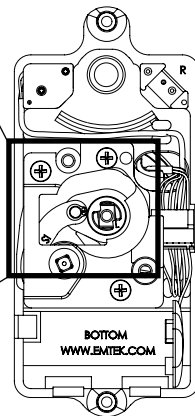
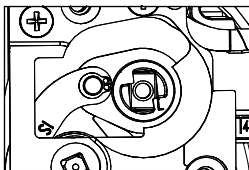
For Right Hand Locks:

Turn to right position.

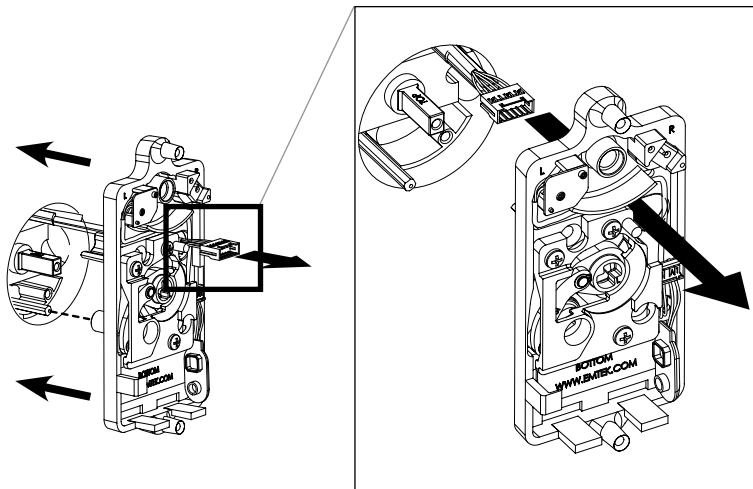


For Left Hand Locks:

Turn to left position.



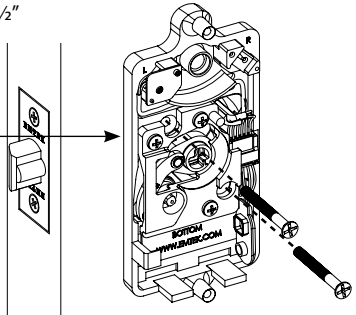
Step 2: Feed the Wire Harness through Inside Chassis.



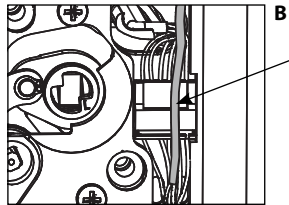
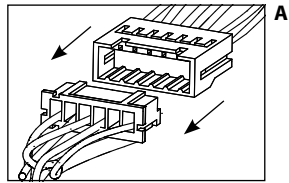
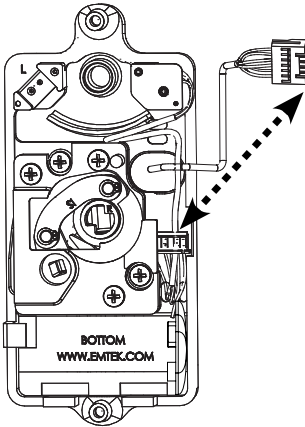
Step 3: Fasten Inside Chassis using two #8-32 x 1½" Flat Head Machine Screw (item #5).



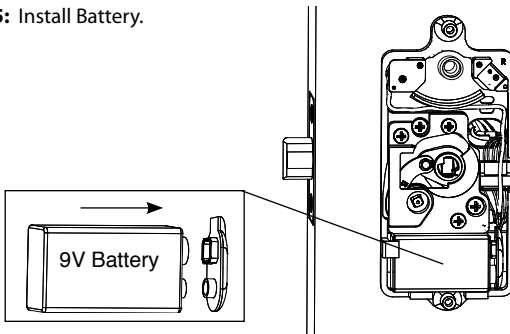
CHECK ALIGNMENT BEFORE FULLY TIGHTENING SCREWS.



Step 4: Connect Wire Harness (A) and tuck Connectors as shown (B).



Step 5: Install Battery.



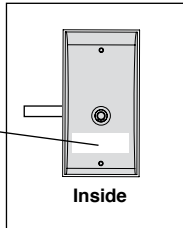
For optimal performance, always use a good quality battery.

5. Install Inside Trim Plate

Fasten Inside Trim Plate using two #8-32 x 3/8" Flat Head Machine Screws (item #4c).



**USER CODES
ARE LOCATED
ON THE INSIDE
TRIM PLATE &
ON PAGE 11.**



Correct for installation



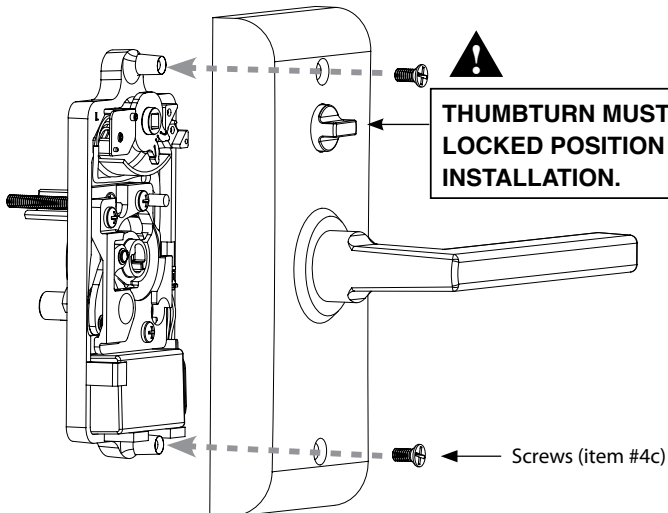
*Locked - requires code

Incorrect for installation



Unlocked

***Locked position** is required for installation and removal of the Inside Trim Plate Assembly. *(Does not apply to Keypad Storeroom/Gate product)*

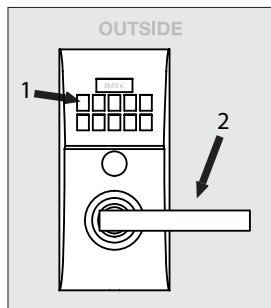


Your Lock is Ready to Use

Your Emtek lock is shipped with two 4-digit user codes and a 6-digit programming code. These codes are randomly generated at the factory. (Turn to next page for Programming Instructions.)

To Unlock:

1. Enter 4-digit user codes.
(See sticker located on the inside trim plate or on page 11).
2. Turn Handle.



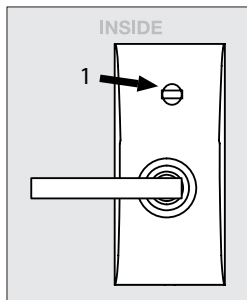
Passage feature

(Does not apply to Keypad Storeroom/Gate product)

Activate by turning the inside thumbturn to the unlocked position. This will engage the outside lever so a code is not required to enter.

To Lock:

1. Rotate Thumbturn from inside.



Programming Your Lock

In order to perform each of the following six functions, the lock must first be placed in Programming Mode:

1. Press and hold EMTEK button for 3 seconds
2. **Yellow** LED flashes, then remains solid*, number keys also illuminate
3. Enter Programming Code
4. **Green** LED flashes, then 2 beeps
5. **Yellow** LED remains solid (awaiting button press; see following Table)

| IF YOU WISH TO | PRESS BUTTON | ACTIONS | | INDICATORS |
|--|--------------|---|---|---|
| Change Programming Code (6 digits) | 1 | Enter New Programming Code (6 digits) | Re-Enter New Programming Code (6 digits) | <ul style="list-style-type: none"> • 1 Green LED flash • 1 beep • 1 Green LED flash • 1 beep • 2 Green LED flashes • 2 beeps |
| Add User Code (4 digits) (Store up to 20 User Codes) | 2 | Enter New User Code (4 digits) | Re-Enter New User Code (4 digits) | <ul style="list-style-type: none"> • 1 Green LED flash • 1 beep • 1 Green LED flash • 1 beep • 2 Green LED flashes • 2 beeps |
| Delete User Code | 3 | Enter User Code to be Deleted | Re-Enter User Code to be Deleted | <ul style="list-style-type: none"> • 1 Green LED flash • 1 beep • 1 Green LED flash • 1 beep • 2 Green LED flashes • 2 beeps |
| **Enable/Disable All User Codes | 4 | Entering '4' disables all Users (enables all if disabled) | | <ul style="list-style-type: none"> • 2 Green LED flashes • 2 beeps |
| Delete All User Codes | 5 | Re-Enter Programming Code | | <ul style="list-style-type: none"> • 1 Green LED flash • 1 beep • 2 Green LED flashes • 2 beeps |
| Turn Beeper On/Off | 6 | Entering '6' turns OFF (or ON) | | <ul style="list-style-type: none"> • 1 Green LED flash • 1 beep • 2 Green LED flashes • 2 beeps |

*If no input within 10 seconds, **Yellow** LED goes out, **Red** LED flashes and lock exits Programming Mode.

**Also referred to as "vacation mode". This command temporarily disables all user codes (metal key override will still work).

Keypad Operation - Beeper & LED Indicators

| Function | Indicators |
|-----------------------------|---|
| Valid Code | • 1 short beep, EMTEK button flashes Green . |
| Invalid Code/Access Denied* | • 1 Red LED flash • 2 short beeps |
| Lock-Out Mode Error | • 2 short beeps • 1 short beep per second for duration |
| Access Accepted | • 1 short beep • 1 Green LED flash |
| Low Battery | • 4 Red LED flashes • 4 short beeps |
| Blackout Battery** | • 1 long Red LED flash • 4 long beeps |
| Button Press Accepted | • 1 Yellow LED flash • 1 Short Beep |
| Outside Thumb Turn Enabled | • 2 Green LED flashes |

* If 3 consecutive incorrect codes are entered, the lock emits 4 short beeps and a flashing **Red** EMTEK button. The lock will not accept additional input for 20 seconds (20 beeps). When the next valid code is entered the lock will beep quickly 10 times to alert of the incorrect codes.

** Battery voltage has dropped too low; keypad will be disabled but metal key override will still work.

Restoring the Lock to Factory Default Setting

This procedure clears the lock of all users and restores the Programming Code and 2 User Codes shipped with the lock.

- Remove power (disconnect 9V battery) from Lock
- Press and Hold EMTEK button
- While continuing to hold EMTEK button, restore power (reconnect 9V battery)
- Continue to hold EMTEK button for 3 seconds
- 1 **Green** LED Flash and 2 short beeps followed by 1 **Green** LED Flash and 2 short beeps indicates the lock has been successfully restored





Scan for how to
install videos.

EMTEK[®]

ASSA ABLOY

ASSA ABLOY is the global leader in door opening solutions, dedicated to satisfying end-user needs for security, safety and convenience.

Copyright © 2012, Emtek Products, Inc. an ASSA ABLOY Group company. All rights reserved. Reproduction in whole or in part without the express written permission of Emtek Products, Inc. is prohibited.