

FISHER

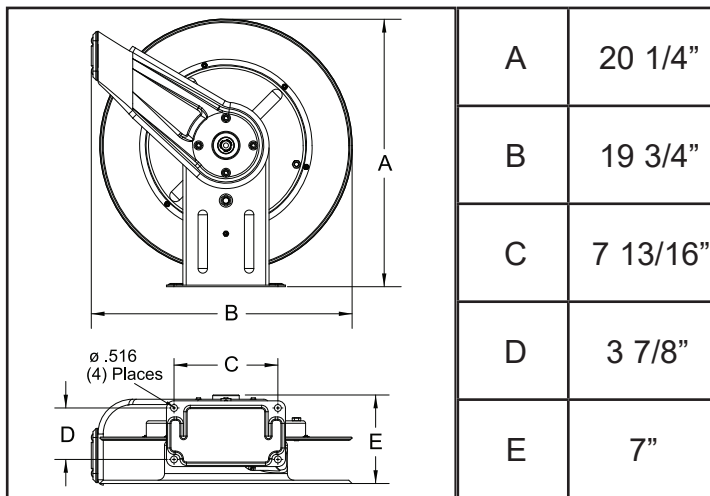
Operating Instructions

Wall Mounted Spring Driven Reel

Model: 75396 35 ft hose with Spray Gun
75397 50 ft hose with Spray Gun



Dimensions



IMPORTANT

Read this manual carefully before installing, operating or servicing this equipment.

SAFETY

Personal injury and/or equipment damage may result if proper safety precautions are not observed.

- Ensure that reel is properly installed before connecting input and output hoses.
- Bleed fluid/gas pressure from system before servicing reel.
- Before connecting reel to supply line, ensure that pressure does not exceed maximum working pressure rating of reel.
- Remember, even low pressure is very dangerous and can cause personal injury or death.
- Be aware of machinery and personnel in work area.
- If a leak occurs in the hose or reel, remove system pressure immediately.
- A high tension spring assembly is contained within the reel. Exercise extreme caution.
- Pull hose from reel by grasping the hose itself, not the control valve.
- Ensure that reel, hose, and equipment being serviced are properly grounded. Use an ohmmeter to check ground continuity.
- If reel ceases to unwind or rewind, remove system pressure immediately. Do not pull or jerk on hose!
- Treat and respect the hose reel as any other piece of machinery, observing all common safety practices.

Part No.75419 Rev.A

INSTALLATION INSTRUCTIONS

MOUNTING

Caution: Unless reel was specified differently when ordering, maximum installation height is 16 feet. Do not exceed this distance.

1. Unpack and inspect reel for damage. Turn by hand to check for smooth operation. Check for completeness.
2. Configure reel for top, side or bottom-wind hose dispensing by removing nuts (1) securing guide arm bracket (2). Position guide arm bracket to desired location, and replace nuts. **Caution:** When changing guide arm positions, the U-bolt must be placed in the proper location as instructed in figure A below. The reel can “latch out” during use if this instruction is not adhered to.
3. Position reel on floor, wall, or ceiling. Secure into place using four (customer supplied) bolts (3).

INSTALLING THE INPUT HOSE(S)

Warning: Ensure that supply line pressure does not exceed maximum working pressure rating of reel. Apply pipe thread sealant to all threads.

Caution: Use flexible hose connection at input. Do not use rigid plumbing.

1. Connect supply line hose (4) to main shaft input (5) as indicated in illustration.

INSTALLING THE OUTPUT HOSE(S)

Warning: Use extreme caution; reel under tension. Avoid releasing latch mechanism. Apply pipe thread sealant to all threads.

1. Manually turn sheave (10) until spring is tight, back off 3 turns, then latch.
2. Route output hose(s) (11) through guide arm bracket (2), U-bolts (12), then through cutout (13) in spool as indicated in illustration.
3. Connect output hose(s) (11) to swivel (14) as indicated in illustration.
4. Tighten U-bolts (12).
5. Charge hose(s). Momentarily open control valve to purge hose(s) of gases. When fluid appears at control valve, close valve. With hose(s) fully charged, release latch and wind output hose(s) onto reel.

ADJUSTMENTS

Warning: Use extreme caution; reel under tension. Avoid releasing latch mechanism. If necessary, adjust spring tension on reel by adding or removing wraps of hose from spool, one wrap at a time, until desired tension is obtained. Add wraps to increase tension. Remove wraps to decrease tension.

SERVICE INSTRUCTIONS

User servicing of the reel is limited to replacing input/output hoses only. Refer all other repairs to an authorized service person or directly to Reelcraft. Failure to do so can result in personal injury and/or equipment damage and may void the warranty. **Warning:** Rewind hose on reel, then bleed pressure from system before performing the following procedures.

1. Replace hoses in accordance with procedures given in “Installation Instructions” section of this manual

Caution: When replacing drive spring, hold the center of the spring down as the hub is pulled out. If the center is allowed to raise up, the spring may escape from it’s container with enough force to cause injuries.

When disposing of old or broken spring assemblies, the coils should be welded or wired together to prevent possible injury to scrap handling personnel.

2. All mating moving parts are to be lubricated with Perma Bond or Loctite anti-seize compound.

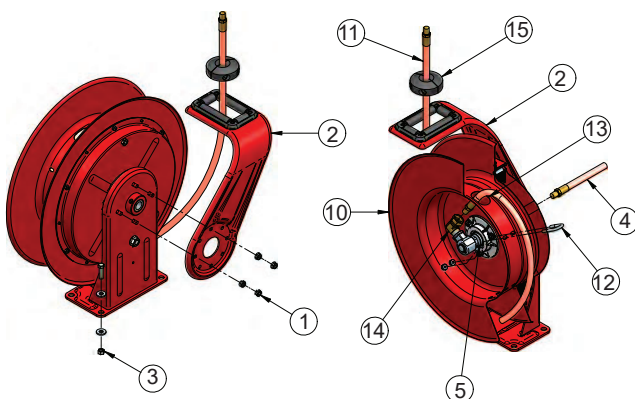
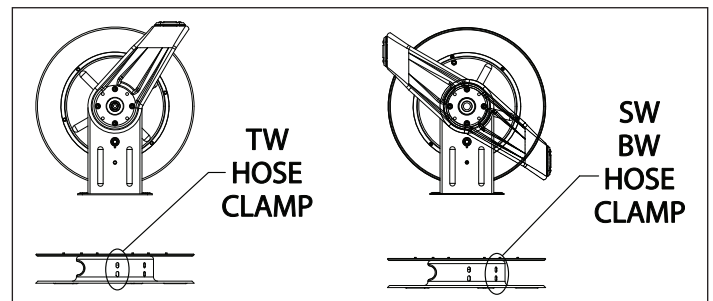
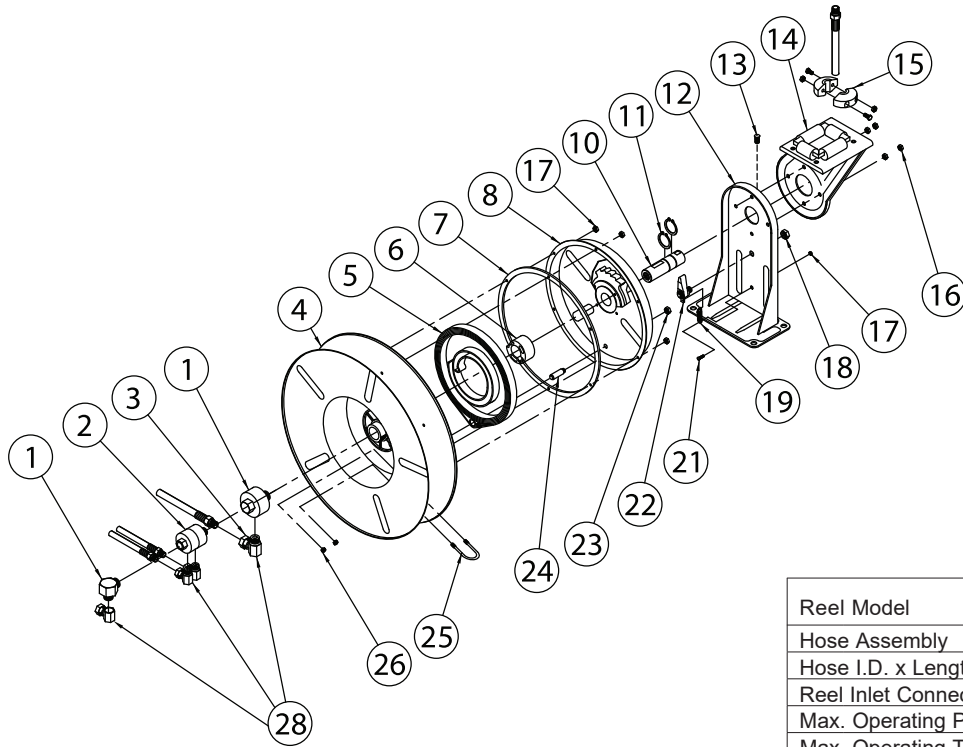


Figure A



Spring Driven Hose Reels



Reel Model	75396	75397
Hose Assembly	33340	33359
Hose I.D. x Length	1/2" X 35'	1/2" X 50'
Reel Inlet Connection	1/2" FPT	1/2" FPT
Max. Operating Pressure	200 PSI	200 PSI
Max. Operating Temperature	160 °F	160 °F

Item #	# Req.	Description	Item #	# Req.	Description
1	1	Swivel Assembly	15	1	Bumper Stop Assembly
3	1	90° Ell	16	4	5/16-18 Locknut
4	1	Sheave Assembly	17	1	10-32 x 3/8" Nyloc Nut
5	1	Drive Spring Assembly	18	1	1/2-20 x 5/8" Hex Nut
6	1	Spring Arbor Assembly	19	1	Latch Spring
7	1	Gasket	21	1	10-32 Shoulder Screw
8	1	Spring Case Assembly	22	1	Latch Pawl Assembly
9	6	10-32 Hex Locknut	23	1	3/8-24 Jam Nut
10	1	Main Shaft	24	1	Spring Case Stud
11	2	1 1/4" Snap Ring	25	1	U-bolt
12	1	Base Assembly	26	4	1/4-20 X 3/8" Locknut
13	1	1/2-13 Set Screw	28	1	Swivel Union
14	1	Guide arm with Rollers			

Spring Driven Hose Reels

Item	# Part	# Req.	Description
29	33413	1	Hose RRA 1/2 X 24
30	32840	1	Spray Gun
31	33340 / 33359	1	Hose Assy 1/2" X 35' or 1/2" X 50'
32	3298	1	PST Thread Sealant

⚠ NOTE: Apply PST or Plumber Tape on the following locations to prevent any leaks.

1. Connect the lead-in line (29) to the reel (75396 / 75397) inlet located on the right-hand side of the hose reel, by applying PST (32) or plumbers tape on the male 1/2" NPT threads on the lead-in line (29) and thread it to the reel (75396 / 75397) using a wrench to support the swivel while tightening the lead-in line.
2. Connect the 1/2" female end of the lead-in line (29) to the water supply using PST (32) or plumbers tape and tighten.
3. Turn on water supply and flush the reel line to remove any debris from the reel for a few seconds and then turn off water supply.
4. Attach the spray gun (30) to the reel hose (31). By applying PST (32) or plumbers tape on the 1/2" NPT male threads on reel hose and tighten.
5. Turn water supply on and check for leaks.

