

APPLICATION:

PRODUCT NAME:
CLOSE ELBOW 1/2F

JOB NAME:

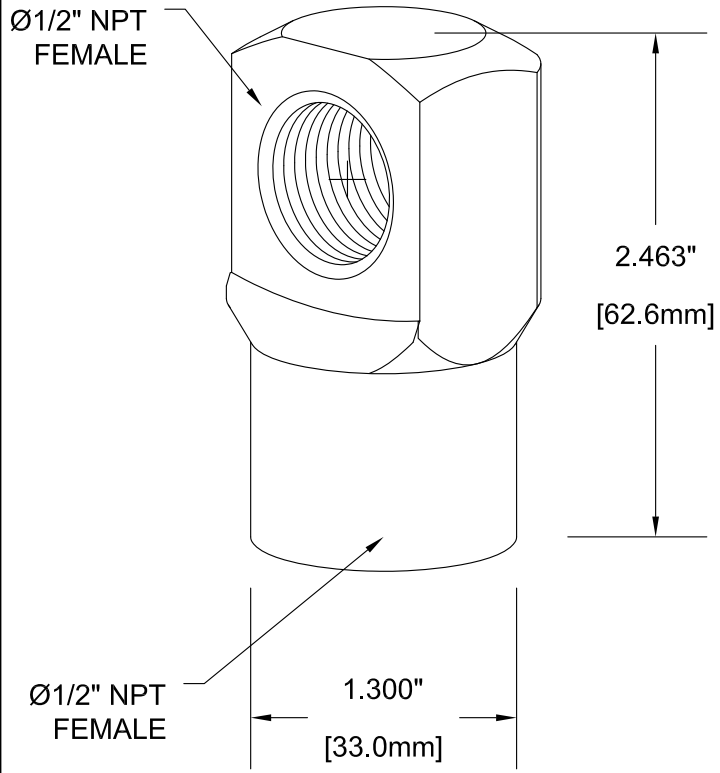
MODEL:

QUANTITY:

ITEM NO.:

2400-2103 CLOSE ELBOW 1/2F

OPTIONS OR MODIFICATIONS:
 OTHER _____



FEATURES
* FITS ALL COMPETITOR'S COMMERCIAL FAUCETS
* 1/2" 90° ELBOW TO MAKE INSTALLATION EASIER WHEN YOU ARE LIMITED ON SPACE, BEHIND THE BACKSPLASH
* PREVENTS ANY CRIMPING OR OTHER DAMAGE TO SUPPLY LINES

SHIPPING WEIGHT
* 0.375 LBS



FISHER MANUFACTURING COMPANY
TOLL FREE: 800-421-6162 - FAX: 800-832-8238
information@fisher-mfg.com - www.fisher-mfg.com