

APPLICATION:

PRODUCT NAME:  
ADPTR SVL VB 1/4

JOB NAME:

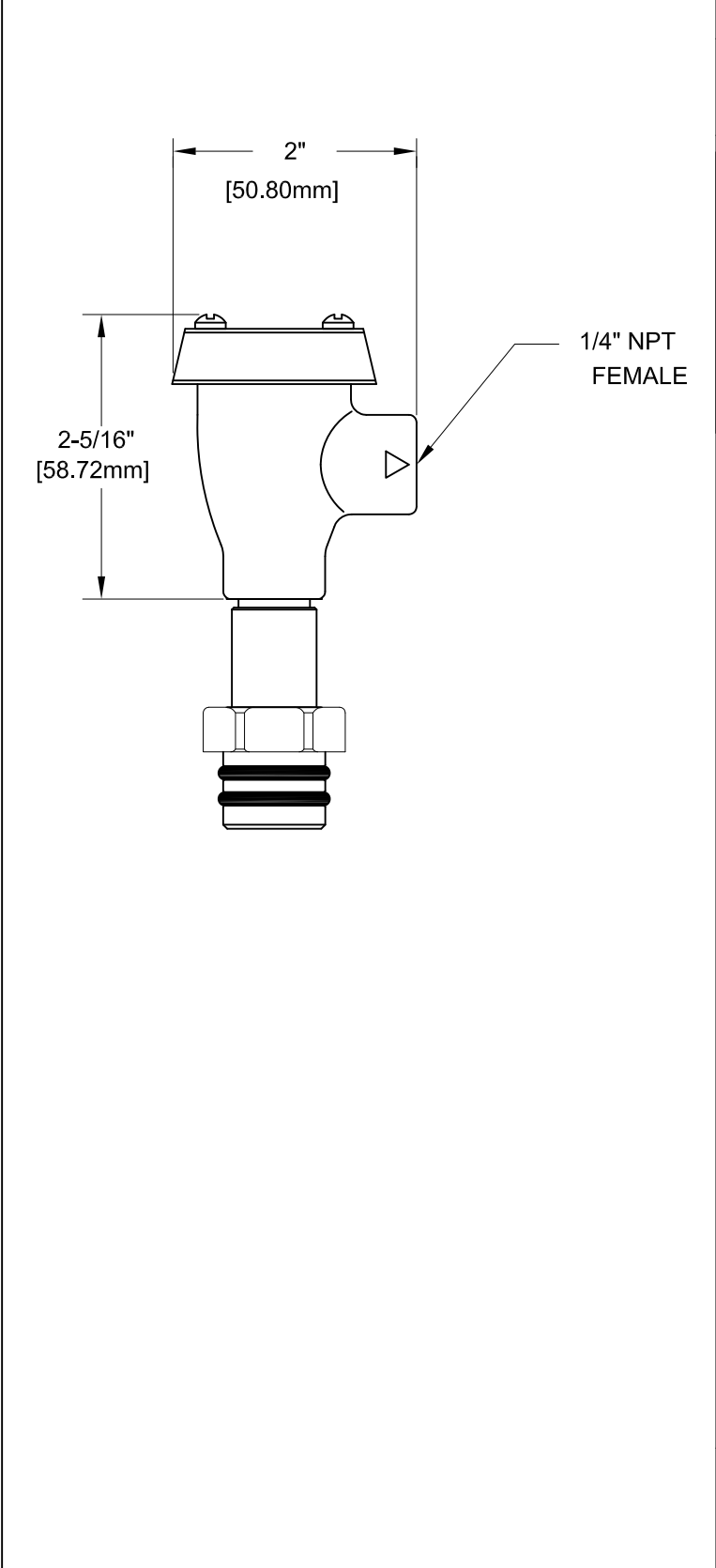
SPECIAL CONFIGURATION  
CHECK BASE MODEL AND OPTIONS

QUANTITY:

ITEM NO.

MODEL:  
 2932

OPTIONS OR MODIFICATIONS:  
 OTHER \_\_\_\_\_



FEATURES:

- \* 1/4" F INLET AND OUTLET
- \* 2.2 GPM MAX. AT 80 PSI
- \* POLISHED CHROME FINISH

SYSTEM LIMITS

- \* TEMP: 40°F MIN. TO 160°F MAX.
- \* PRESSURE 100 PSI MAX. STATIC

SHIPPING WEIGHT

- \* 0.6 LBS



FISHER MANUFACTURING COMPANY  
 TOLL FREE: 800-421-6162 - FAX: 800-832-8238  
 information@fisher-mfg.com - www.fisher-mfg.com