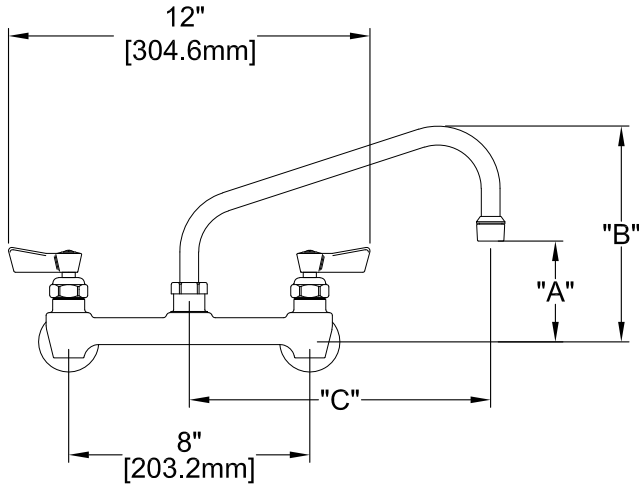


Customer/Wholesaler:	Date:	Job Name:	Model Specified:	Quantity:
Contractor:		Architect/Engineer:		



MODEL	DIM "A"	DIM "B"	DIM "C"
13234	2-1/4" [57mm]	5-7/8" [149mm]	6" [152mm]
13242	2-1/2" [64mm]	6-3/8" [162mm]	8" [204mm]
13250	3-1/8" [79mm]	6-7/8" [175mm]	10" [254mm]
13269	3-3/4" [95mm]	7-3/8" [187mm]	12" [305mm]
13277	4-3/8" [111mm]	8-1/4" [210mm]	14" [356mm]
13218	5" [127mm]	8-7/8" [225mm]	16" [406mm]

**MODEL:**

- 13234 FAUCET 8BSLH 06SS
- 13242 FAUCET 8BSLH 08SS
- 13250 FAUCET 8BSLH 10SS
- 13269 FAUCET 8BSLH 12SS
- 13277 FAUCET 8BSLH 14SS
- 13218 FAUCET 8BSLH 16SS

**OPTIONS OR MODIFICATIONS:**

- OTHER \_\_\_\_\_

**FEATURES**

**CONTROL VALVE**

- \* 8" C/C BACKSPLASH MOUNT
- \* SWIVELLING SEAT DISKS
- \* HOT SIDE STEM - RIGHT HAND
- \* COLD SIDE STEM - LEFT HAND
- \* STAINLESS STEEL SEATS
- \* STAINLESS STEEL SEAT SCREWS
- \* STAINLESS STEEL HANDLE SCREWS
- \* 1/2" SLIP JOINT

**SYSTEM LIMITS**

- \* TEMP: 40°F MIN. TO 160°F MAX.
- \* PRESSURE: 200 PSI MAX. STATIC
- \* 2.20 GPM AT 60 PSI (8.3L/min @ 410 kPa)

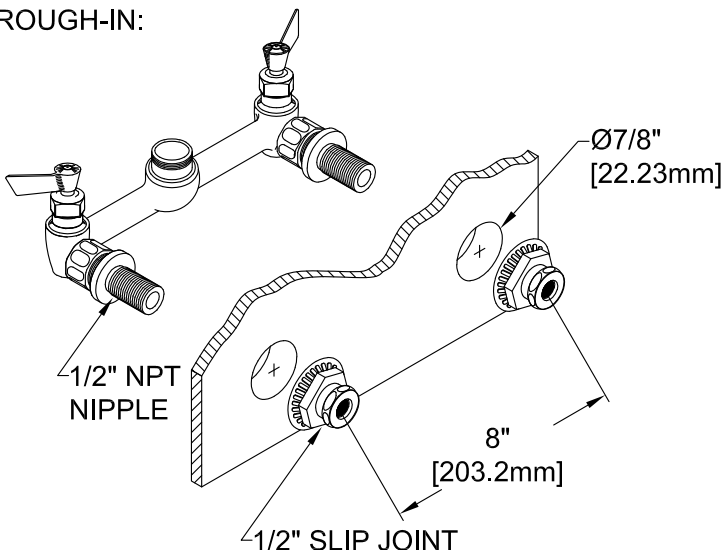
**SHIPPING WEIGHT**

- \* 5.0 LBS

**PRODUCT COMPLIANCE:**

- \* ASME A112.18.1 / CSA B125.1
- \* NSF 61 - Section 9
- \* NSF 372 (Low Lead Content)

**ROUGH-IN:**



## Replacement Parts for Backsplash Mount Faucets

